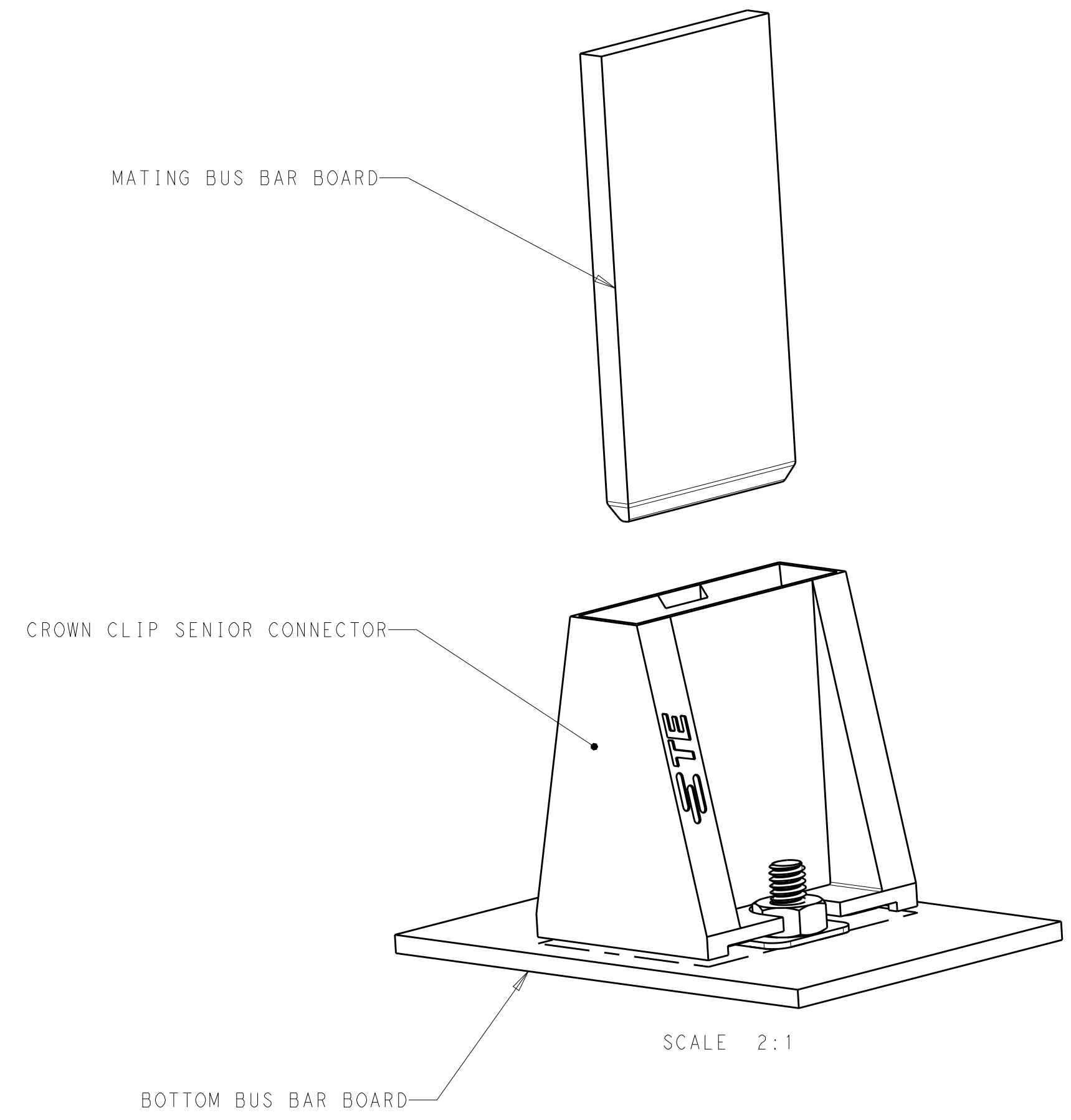
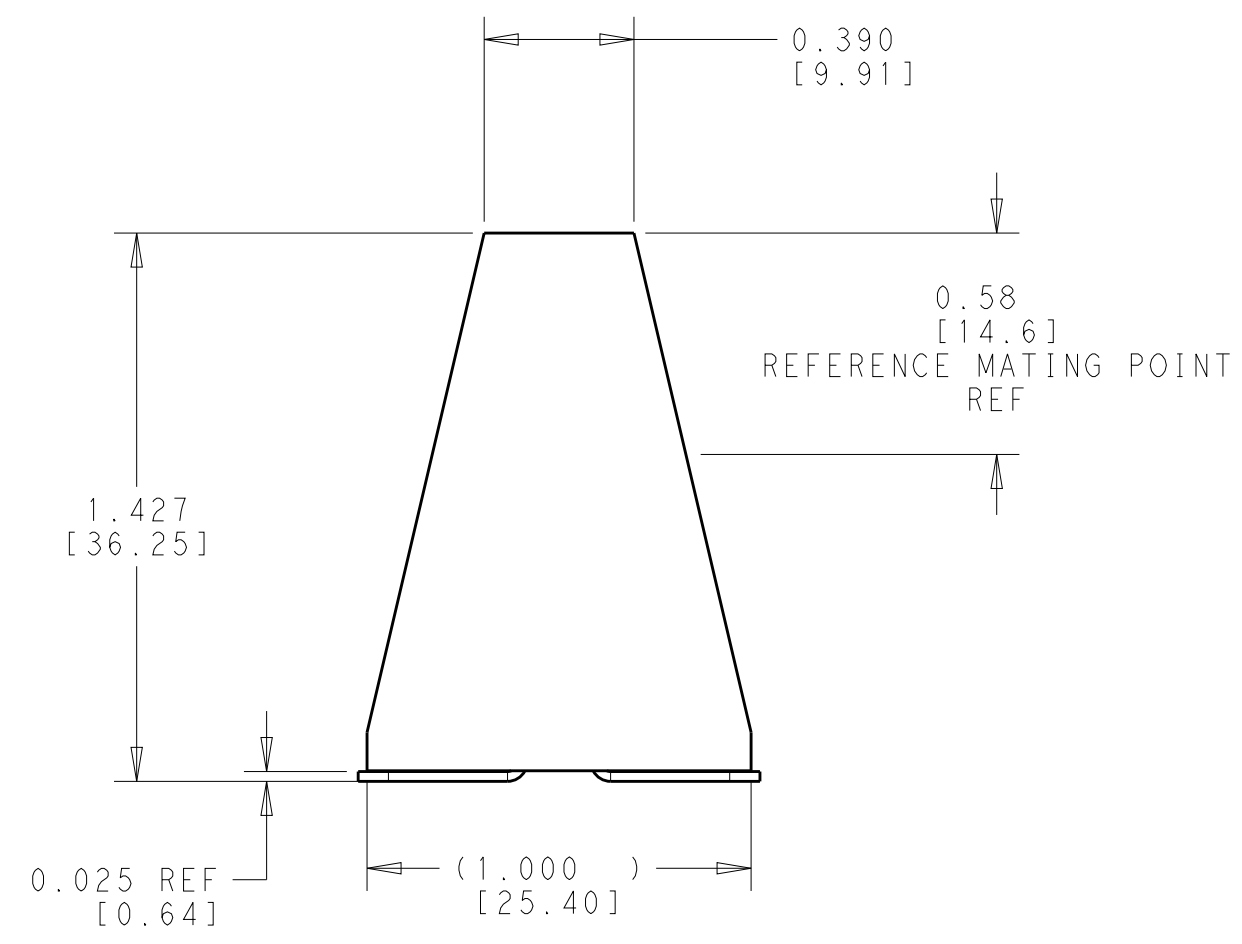
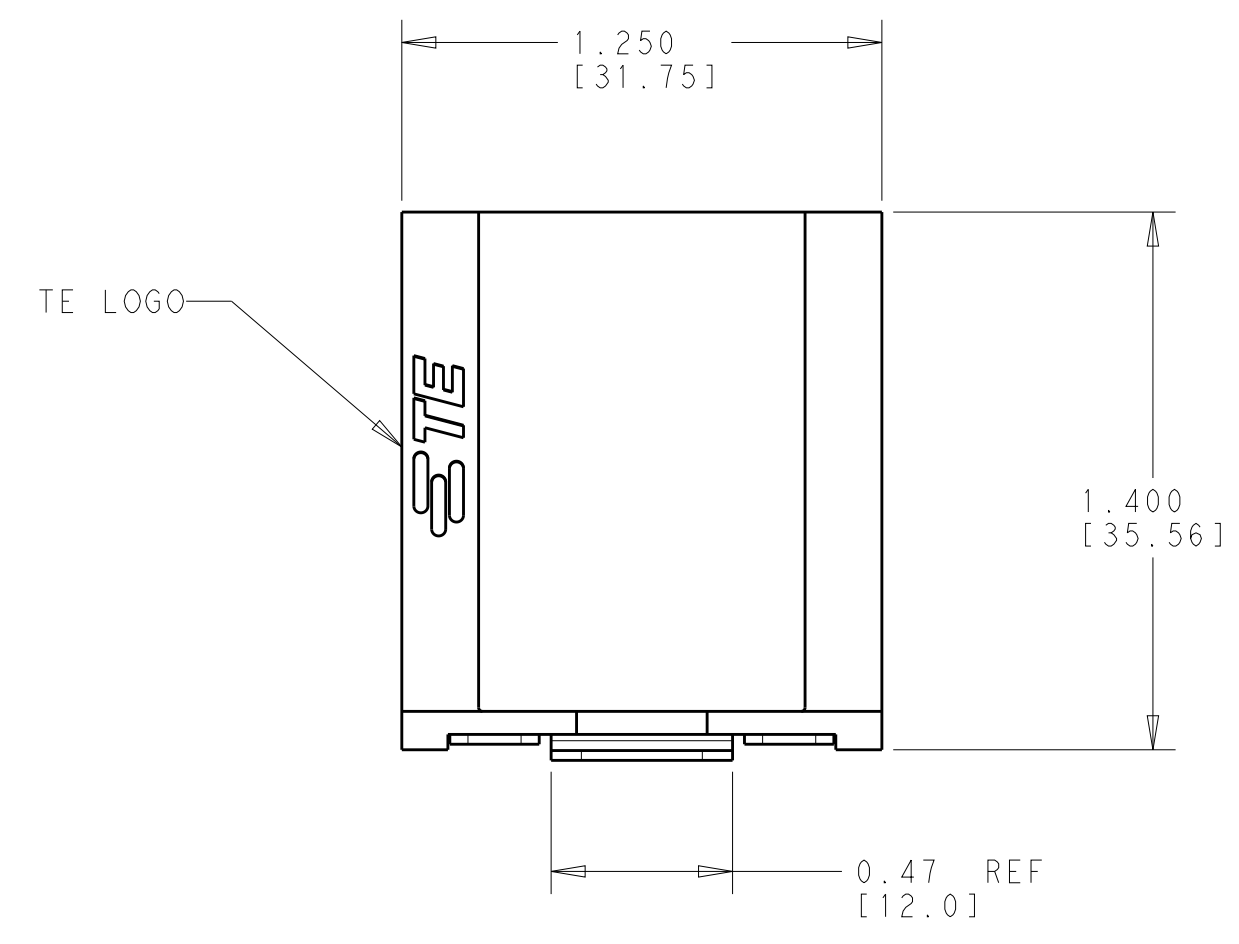
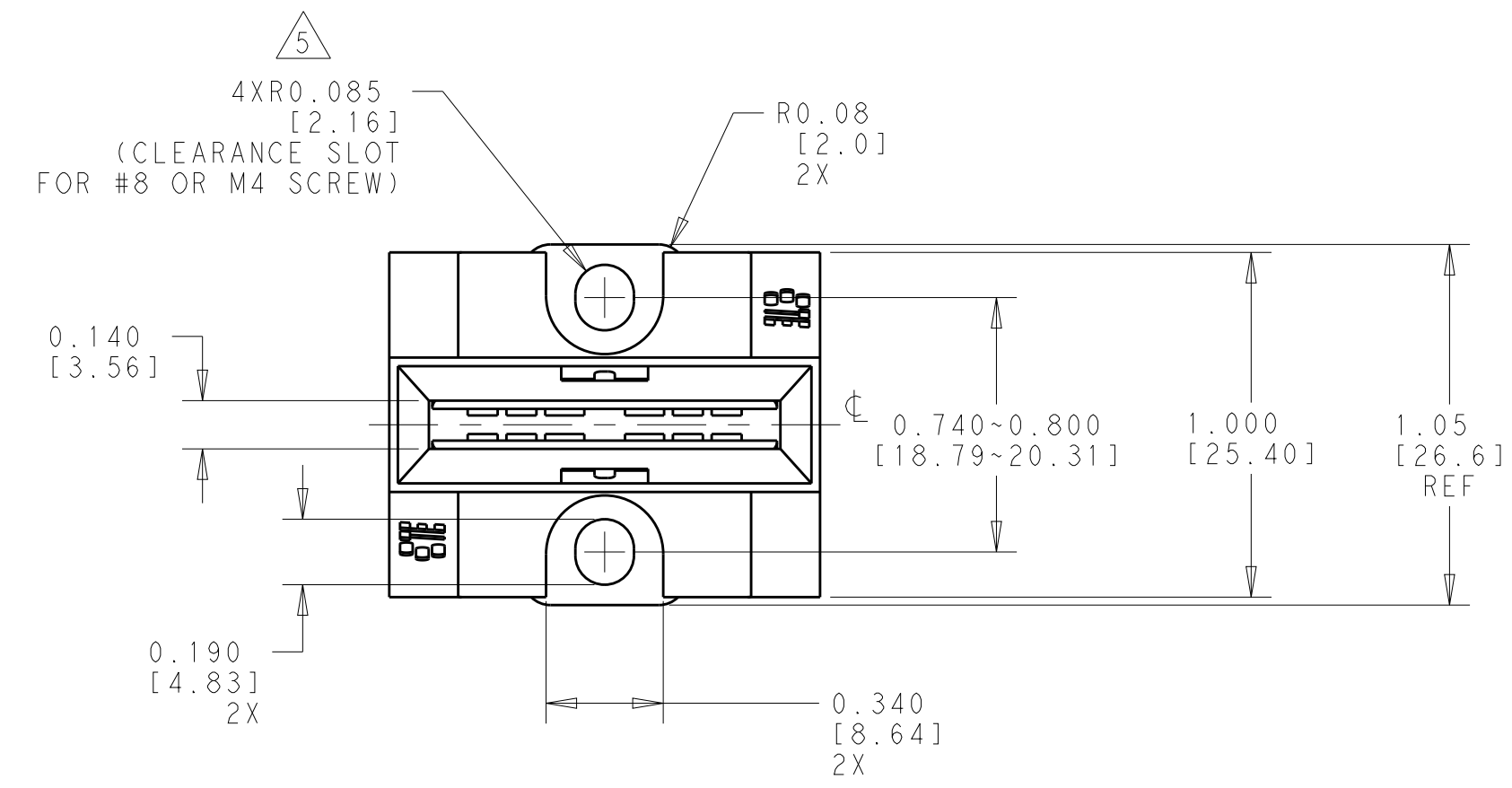


REVISIONS				
P	LTN	DESCRIPTION	DATE	OWN APVD
C1	REV PER ECO-17-008954		05MAR2018	ML SZ



NOTES: UNLESS OTHERWISE SPECIFIED

- PART NUMBER CHANGES AND OR DESIGN CHANGES AFFECTING ITEM INTERCHANGEABILITY REQUIRE PRIOR TE CONNECTIVITY APPROVAL AND AUTHORIZATION BY REVISION TO THIS DRAWING.

- MATERIAL:
 - INSULATOR: THERMOPLASTIC, GLASS REINFORCED, UL94 V-0 FLAMMABILITY RATED, COLOR-BLACK.
 - CONTACT: COPPER ALLOY.
 - RECOMMENDED MATING BUS BAR:
 - MATERIAL: COPPER ALLOY C10100/C10200/C11000
 - GOLD PLATING BUSBAR: GOLD PLATING .000030 INCH MIN. THICK OVER NICKEL BASE-PLATED 0.000050-0.000300 INCH THICK IN CONTACT AREA OF MATING BUS BAR BOARD.
 - SILVER PLATING BUSBAR: SILVER PLATING .000118 INCH MIN. THICK OVER NICKEL BASE-PLATED 0.000050-0.000300 INCH THICK IN CONTACT AREA OF MATING BUS BAR BOARD.

- FINISHES I:
 - GOLD PLATING .000030 INCH MIN. THICK OVER NICKEL BASE-PLATED.000040 INCH MIN. THICK ON PRODUCT CONTACT INTERFACE.

- FINISHES II:
 - SILVER PLATING OVER NICKEL BASE-PLATED.000040 INCH MIN. THICK ON PRODUCT CONTACT INTERFACE.

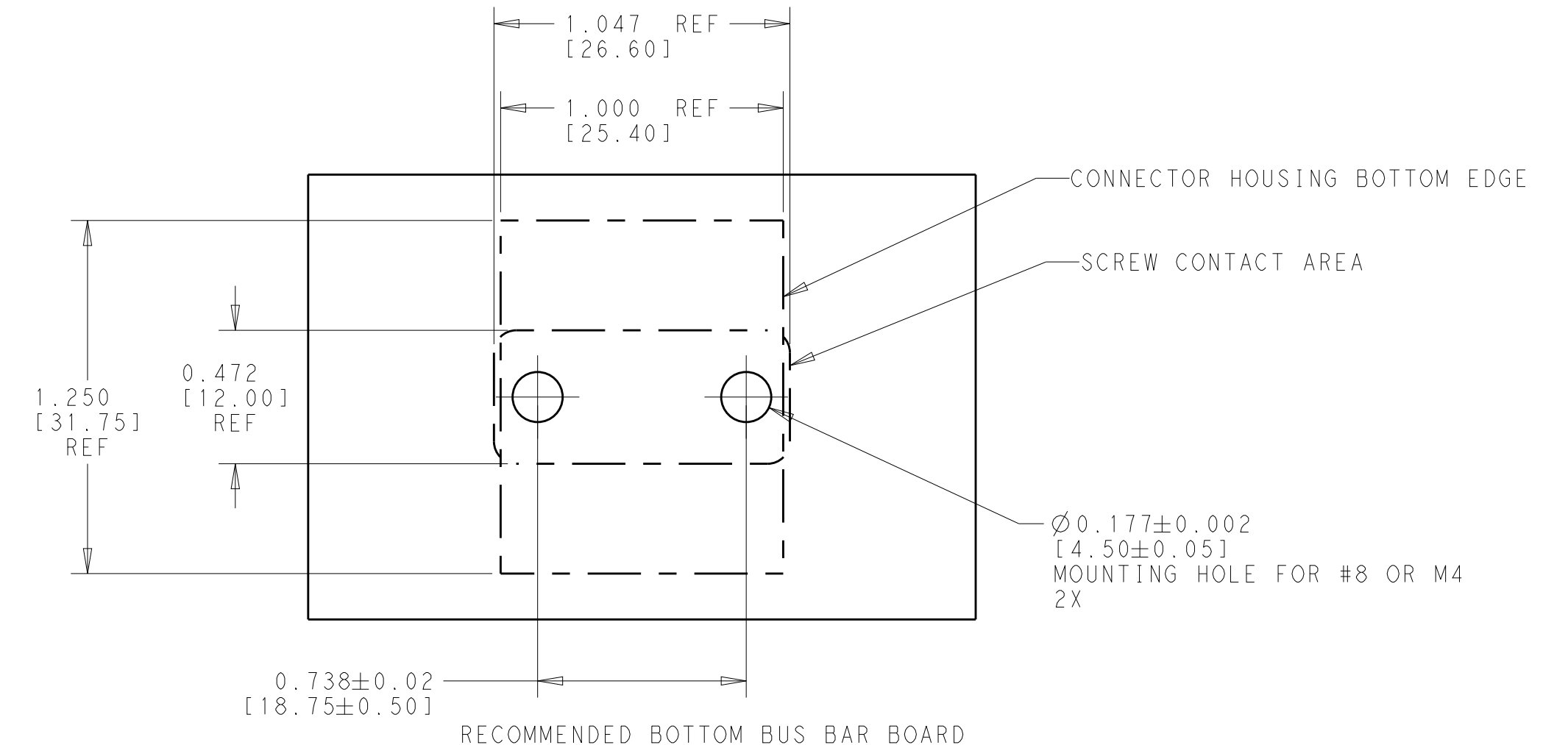
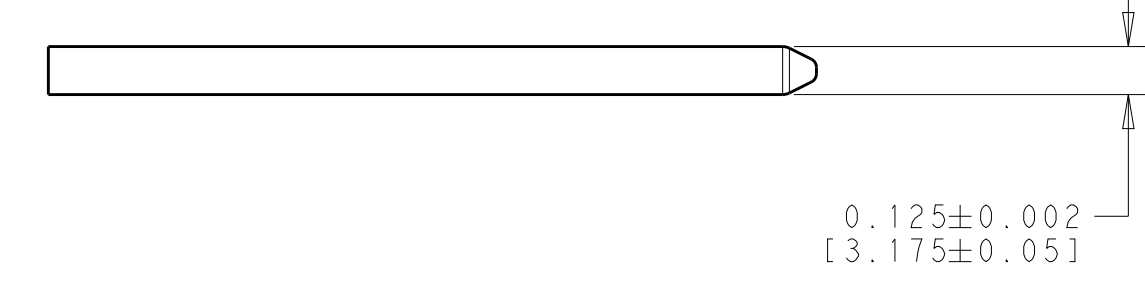
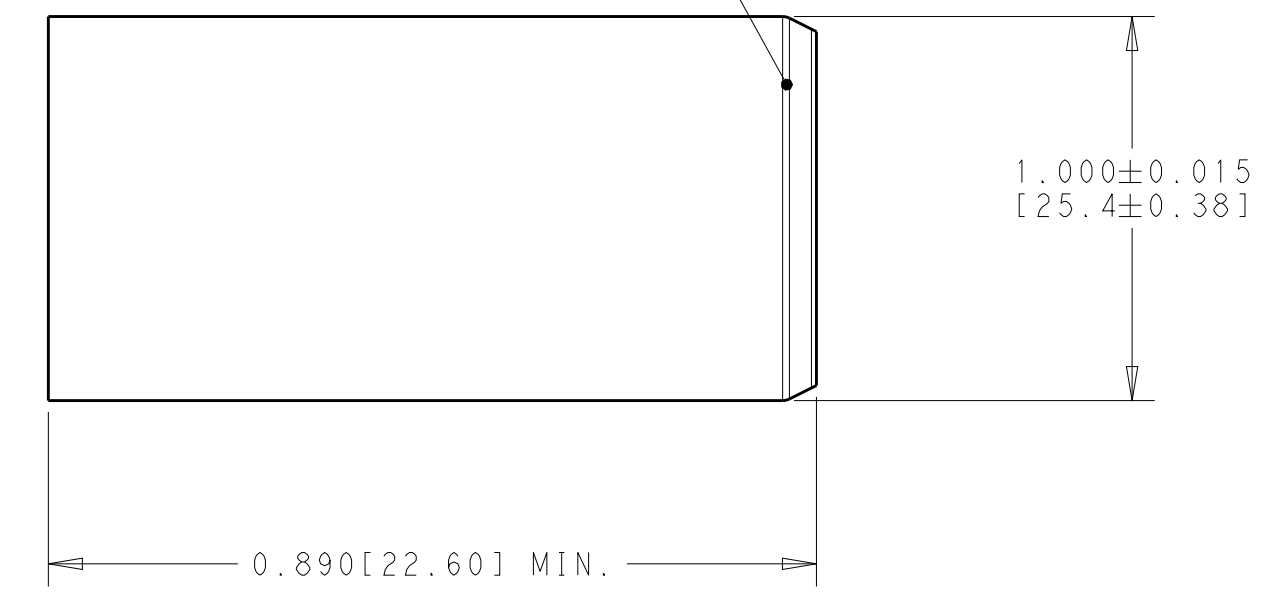
- USER SUPPLIED MOUNTING HARDWARE: #8 OR M4 SCREWS (2X)

- ALL DIMENSIONS SHOWN ACROSS A CENTERLINE (CL) SHALL BE CENTRALIZED WITHIN THE TOLERANCE INDICATED FOR THAT DIMENSION

- ITEMS PROVIDED TO THIS SPECIFICATION TO BE PERMANENTLY IDENTIFIED PER THE FOLLOWING IDENTIFIER:
 - TE PART NUMBER AND DATE CODE (E.G. 0625, 06; YEAR, 25; WEEK)

- RECOMMENDED BOTTOM BUS BAR BOARD:
 - BOTTOM BUS BAR BOARD IS RECOMMENDED TO SCREW-MOUNT WITH CONNECTOR.
 - MATERIAL: COPPER ALLOY C10100/C10200/C11000
 - PLATING: TIN PLATING 0.000030-0.000300 INCH THICK OVER NICKEL BASE-PLATED 0.000050-0.000300 INCH THICK IN SCREW-MOUNTING AREA OF BOTTOM BUS BAR BOARD.

EDGE TREATMENT:
 ROUND 1mm AFTER CHAMFER 1X2mm SHALL BE PREFERRED.
 NO SHARP EDGE IN MATING AREA.



MATING BUS BAR THICKNESS	REMARK	MATING BUS BAR PLATING	CONNECTOR PLATING	DESCRIPTION	PART NUMBER
3.17±0.05/-0.22 MM	--	SILVER	SILVER	CROWN CLIP SENIOR POWER CONNECTOR, SILVER PLATING	1643903-3
3.175±0.05 MM	LOW MATING FORCE VERSION	GOLD	GOLD	CROWN CLIP SENIOR POWER CONNECTOR, LOW FORCE VERSION	1643903-2
3.175±0.05/-0.22 MM	GENERAL VERSION	GOLD	GOLD	CROWN CLIP SENIOR POWER CONNECTOR, GENERAL	1643903-1

THIS DRAWING IS A CONTROLLED DOCUMENT.

DIMENSIONS: inch(mm)	TOLERANCES UNLESS OTHERWISE SPECIFIED:	0 PLC ±.1*(2.5)	1 PLC ±0.02*(0.5)	3 PLC ±0.01*(0.25)	4 PLC ±.005*	ANGLES ±0.5°
----------------------	----------------------------------------	-----------------	-------------------	--------------------	--------------	--------------

MATERIAL	FINISH	OWN: MAC LLIU 02/25/06	CHK: MAC LLIU 02/25/06	APVD: SUNYI ZHAO 02/25/06	NAME: SUNYI ZHAO
CUSTOMER DRAWING		CUSTOMER DRAWING		CUSTOMER DRAWING	

TE Connectivity
 CUSTOMER DRAWING
 POWER CONNECTOR, SOCKET
 STRAIGHT MOUNT, CROWN CLIP II
 SCALE 1:1 SHEET 1 OF 1 REV C1

单击下面可查看定价，库存，交付和生命周期等信息

[>>TE Connectivity\(泰科\)](#)