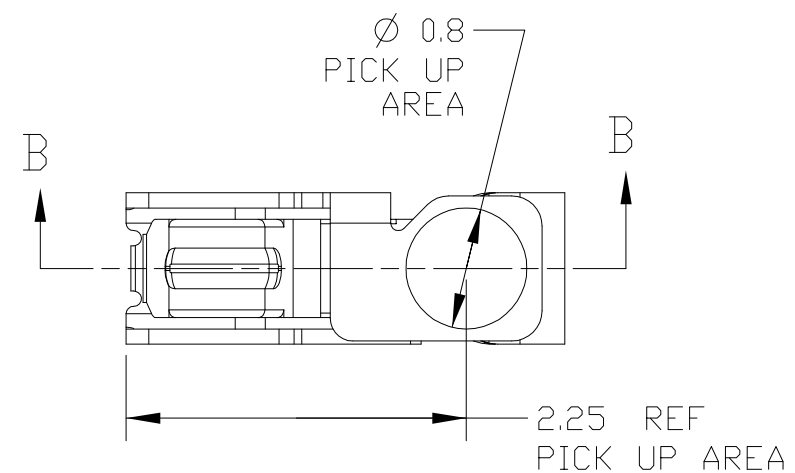
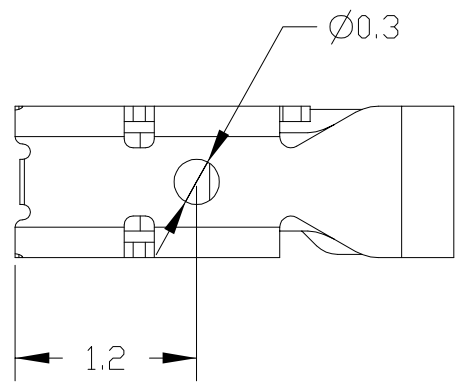
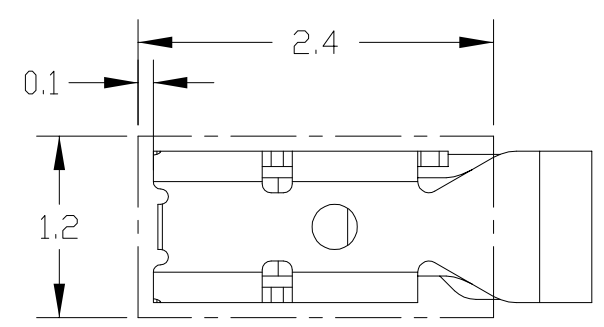
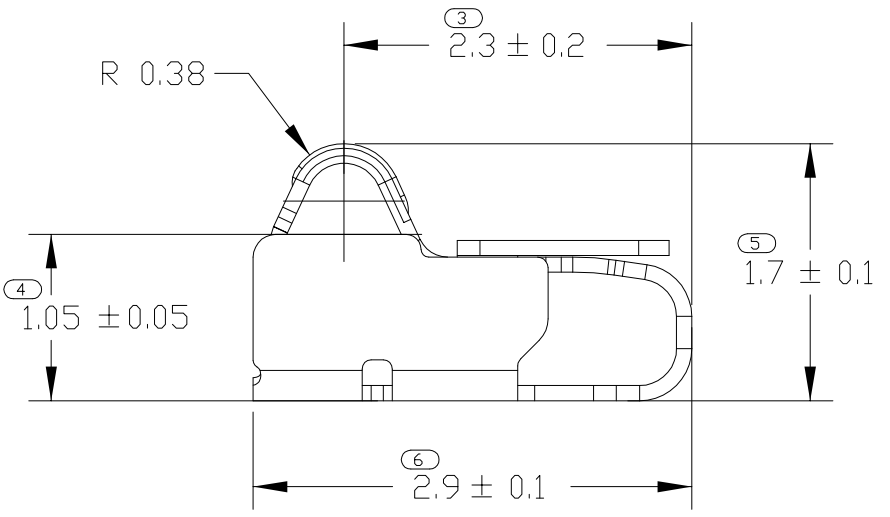
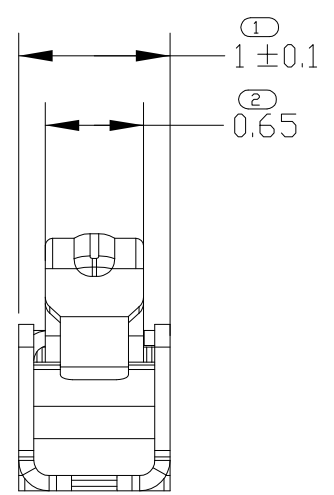
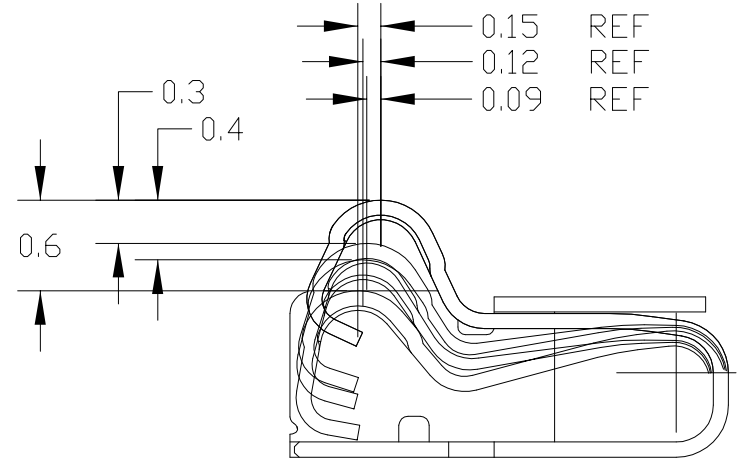


LOC	DIST	REVISIONS					
		P	LTR	DESCRIPTION	DATE	DWN	APVD
-	-		B	REVISED	05JUNE2013	IC.K	JH.K
			C	REVISED	13JUNE2013	IC.K	JH.K
			C1	REVISED	25FEB2014	IC.K	JH.K
			C2	REVISED	05FEB2014	IC.K	JH.K



AS SHOWN
 (C1) 2108611-5/6
 (C2) 2-2108611-6



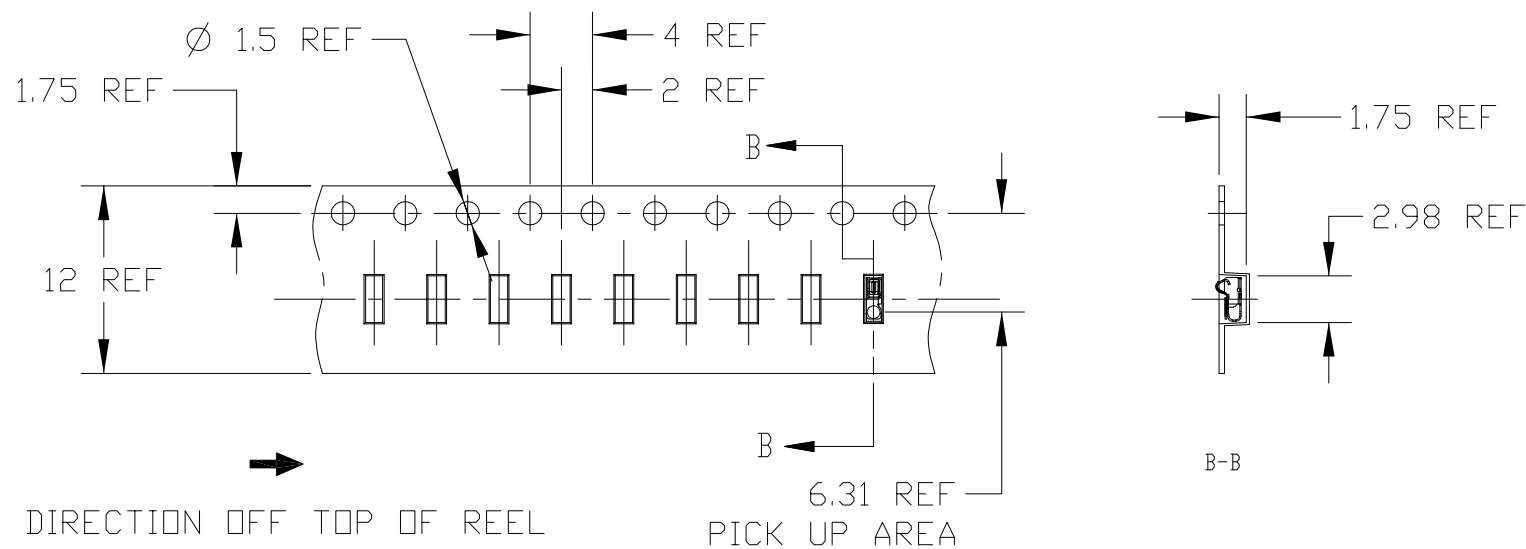
- 1 MATERIAL: COPPER ALLOY, THK.=0.1mm
- 2 FINISH: Ni UNDER PLATING ALL OVER 0.8~3.0um.
 CONTACT PLATING: Au 0.1~0.4um
 SOLDER PLATING: Au FLASH 0.05~0.35um
- 3 CUTTING BURR: 0.05mm MAX.
- (C1) 4 F/G SHOULD BE SEPARATED BASED ON THE CUSTOMER'S PART NUMBER AS BELOW TABLE

NO	PART NUMBER	CUSTOMER PART NUMBER	PRODUCT SPEC
1	2108611-5	MCE62632901	108-61186
2	2108611-6	EAG63652201	108-61186
(C2) 3	2-2108611-6	-	108-61251

THIS DRAWING IS A CONTROLLED DOCUMENT.		DWN IC KANG 05APR2013		
DIMENSIONS: mm		CHK JH KIM 05APR2013		
TOLERANCES UNLESS OTHERWISE SPECIFIED: ± 0.15		APVD JH KIM 05APR2013	NAME	
0-PLC \pm 1-PLC ± 0.5 2-PLC ± 0.13 3-PLC ± 0.013 4-PLC ± 0.0001 ANGLES \pm		PRODUCT SPEC SEE TABLE 4	SPRING FINGER 1.7H	
MATERIAL -		APPLICATION SPEC -	SIZE A3	CAGE CODE 00779
FINISH -		WEIGHT -	DRAWING NO C=2108611	RESTRICTED TO -
CUSTOMER DRAWING			SCALE 20:1	SHEET 1 OF 3
			REV C2	

LOC	DIST	REVISIONS					
		P	LTR	DESCRIPTION	DATE	DWN	APVD
-	-			SEE SHEET 1			

① 4 <2108611-5 : FOR MCE62632901>

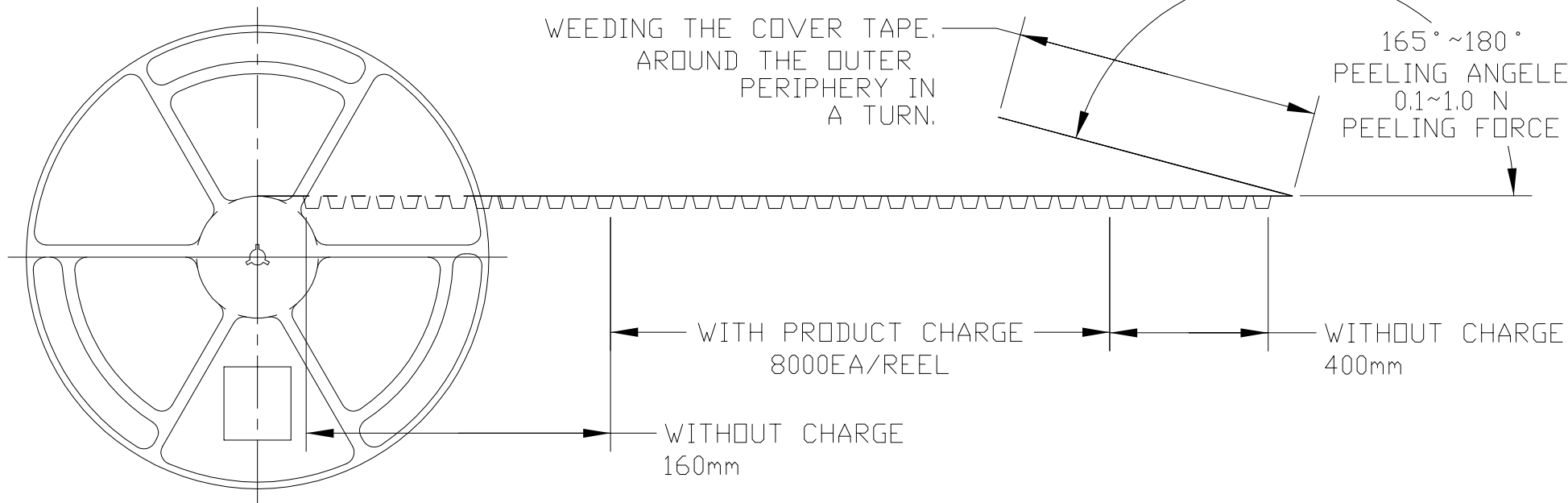
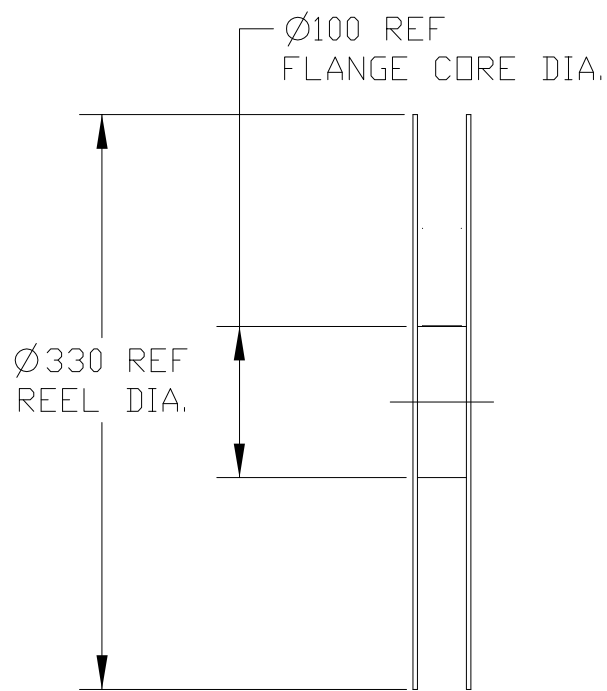


①

MCE62632901-YYYYMMDD-*****-HK000120
 SPEC: 1.7H SPRING FINGER WITH EMBOSS
 Company Name: TE CONNECTIVITY
 Tyco Part Number : 2108611-5

RoHS H/F

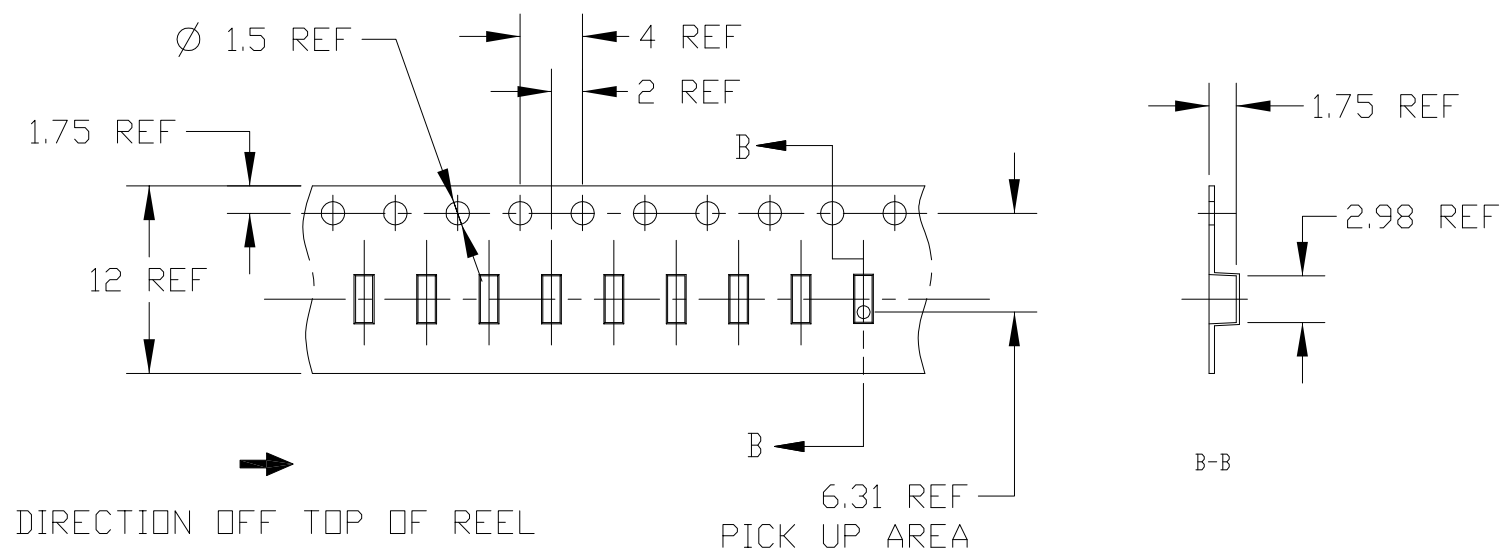
- 1. LG PART NO.
- 2. FINAL INSPECTION(YYYMMDD)
- 3. VENDOR PRODUCTION LOT NO.
- 4. VENDOR CODE



THIS DRAWING IS A CONTROLLED DOCUMENT.		DWN	IC KANG	05APR2013	 TE Connectivity	NAME		SPRING FINGER 1.7H				
DIMENSIONS: mm		CHK	JH KIM	08FEB2013		PRODUCT SPEC		SIZE	CAGE CODE	DRAWING NO		
TOLERANCES UNLESS OTHERWISE SPECIFIED: ±0.15		APVD	JH KIM	08FEB2013		APPLICATION SPEC		A3	00779	©=2108611		
0-PLC ± 1-PLC ±0.5 2-PLC ±0.13 3-PLC ±0.013 4-PLC ±0.0001 ANGLES ± FINISH -		MATERIAL		WEIGHT		RESTRICTED TO		-				
CUSTOMER DRAWING					SCALE	20:1	SHEET	2	OF	3	REV	C2

P	LTR	DESCRIPTION	DATE	DWN	APVD
		SEE SHEET 1			

① 2108611-6 : FOR EAG63652201

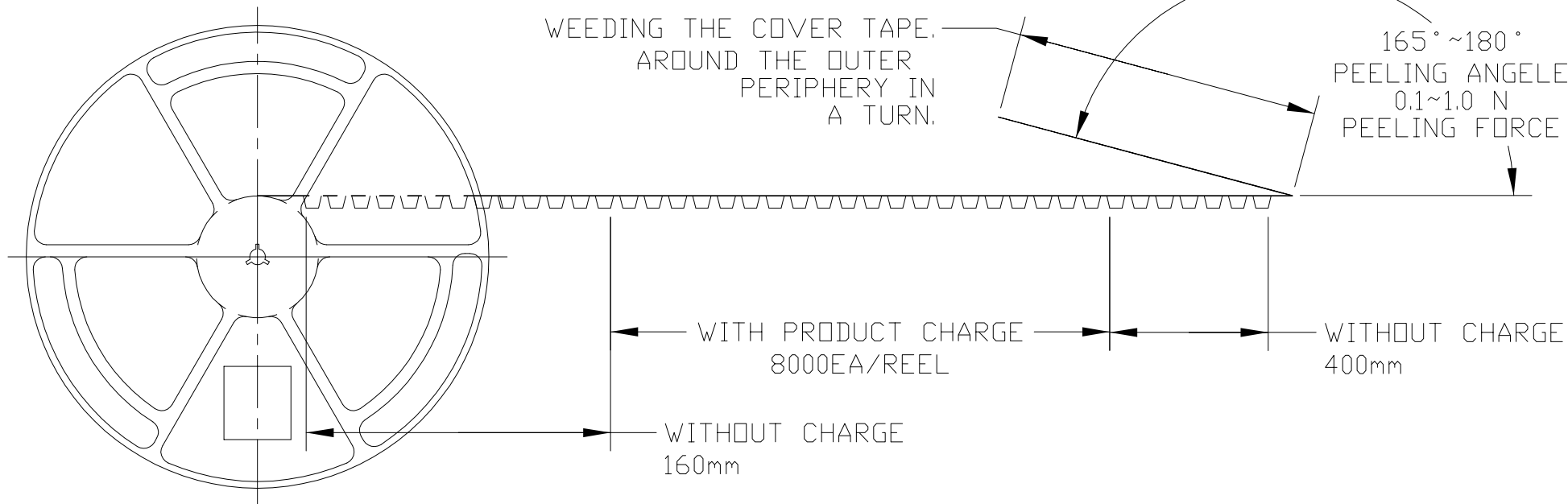
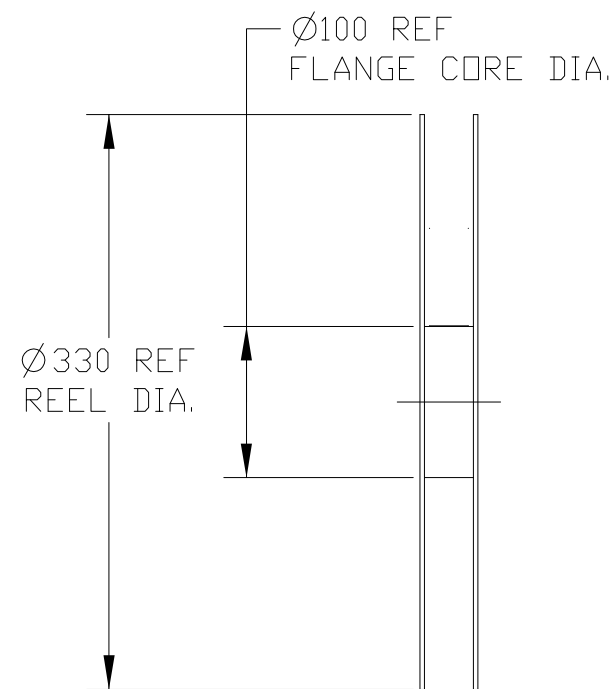


①

EAG63652201-YYYYMMDD-*****-HK000120
 SPEC: ①.7H SPRING ② FINGER WITH ③ EMBOSS ④
 Company Name: TE CONNECTIVITY
 Tyco Part Number : 2108611-5

RoHS H/F

- 1. LG PART NO.
- 2. FINAL INSPECTION(YYMMDD)
- 3. VENDOR PRODUCTION LOT NO.
- 4. VENDOR CODE



THIS DRAWING IS A CONTROLLED DOCUMENT.		DWN IC KANG 05APR2013	TE Connectivity			
DIMENSIONS: mm		CHK JH KIM 08FEB2013				
TOLERANCES UNLESS OTHERWISE SPECIFIED: ±0.15		APVD JH KIM 08FEB2013	NAME SPRING FINGER 1.7H			
0-PLC ±		PRODUCT SPEC 108-XXXXX	SIZE A3	CAGE CODE 00779	DRAWING NO C=2108611	RESTRICTED TO -
1-PLC ±0.5		APPLICATION SPEC -	SCALE 20:1		SHEET 3 OF 3	REV C2
2-PLC ±0.13		WEIGHT -	CUSTOMER DRAWING			
3-PLC ±0.013						
4-PLC ±0.0001						
ANGLES ±						
FINISH -						

单击下面可查看定价，库存，交付和生命周期等信息

[>>TE Connectivity\(泰科\)](#)