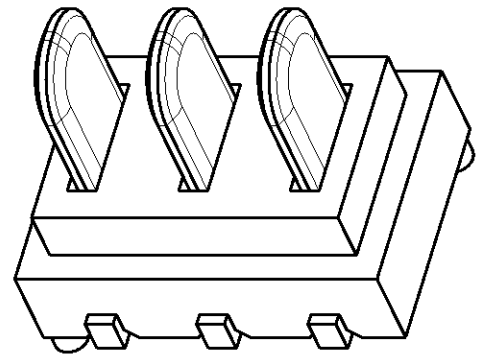
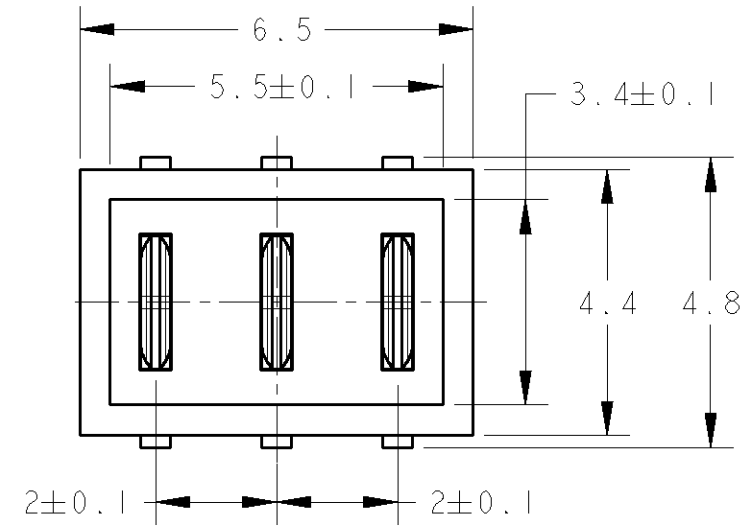


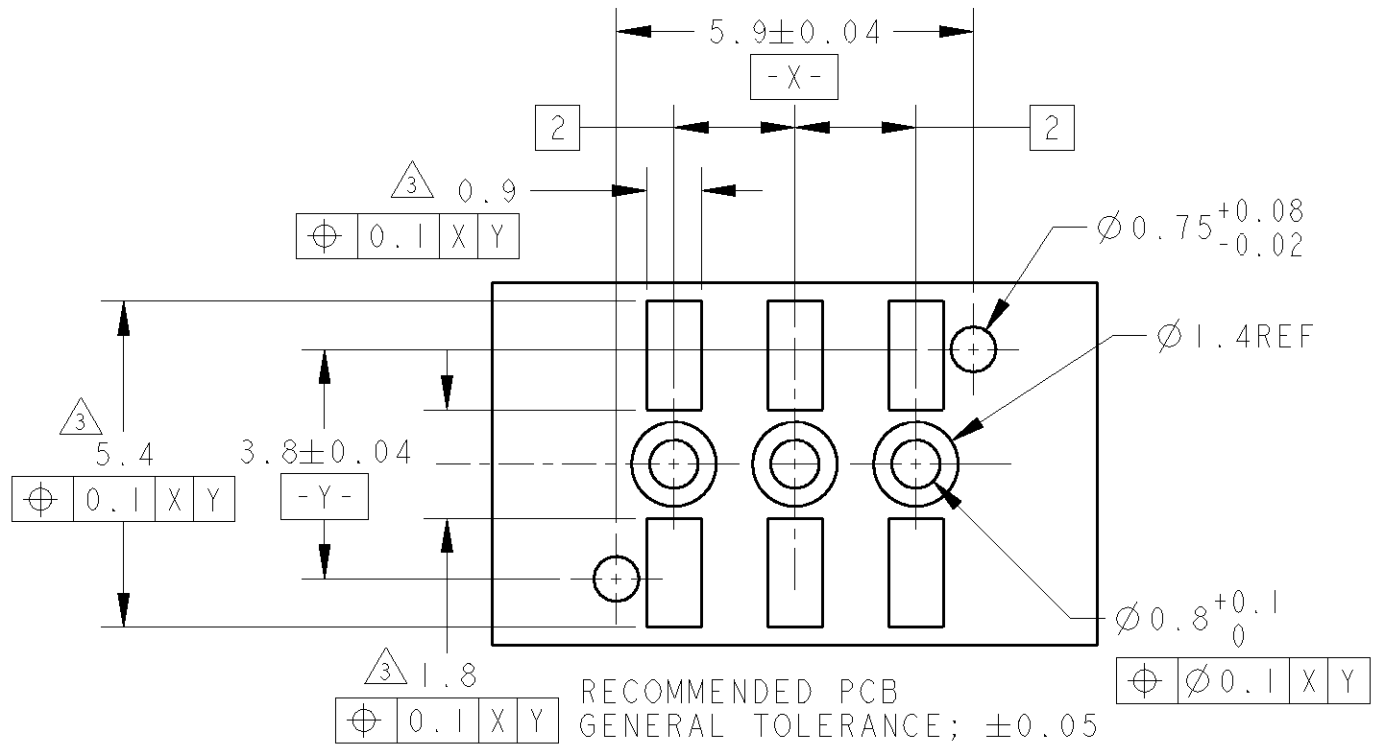
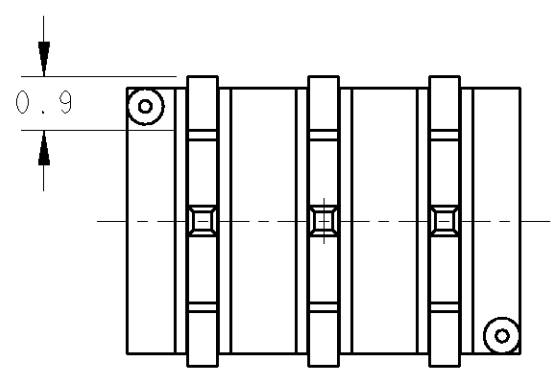
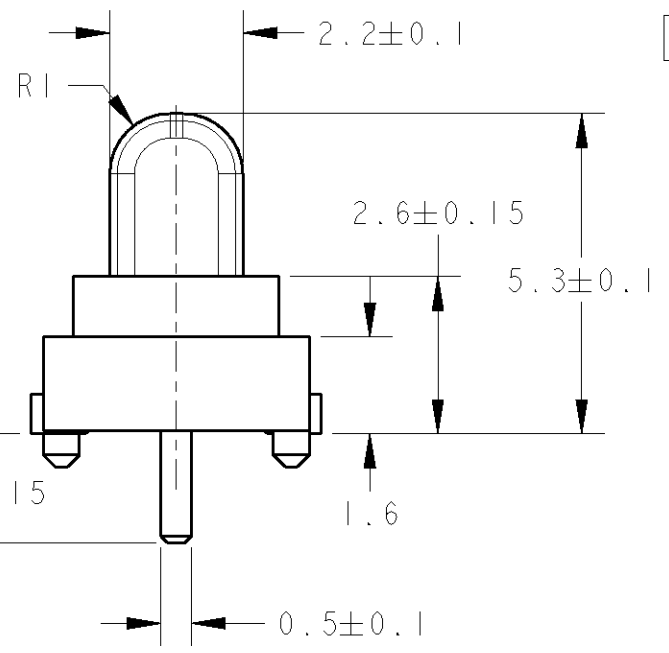
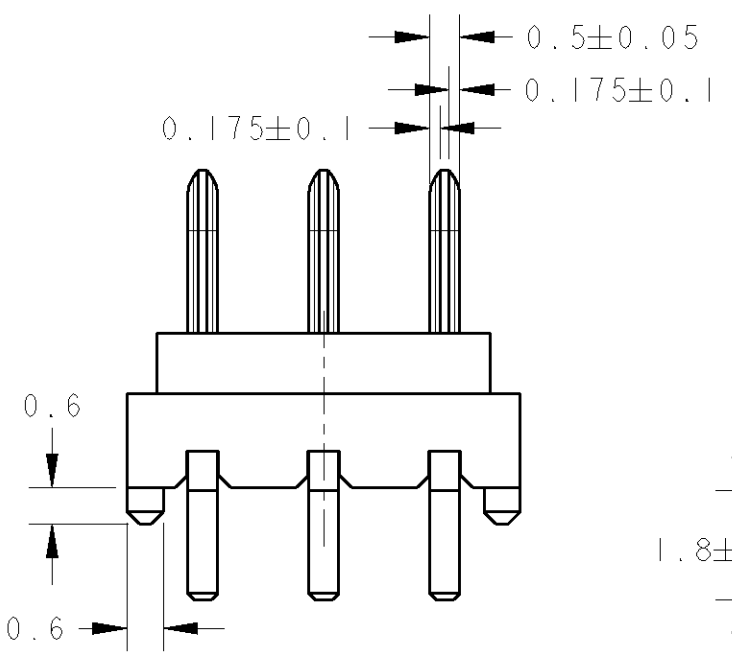
THIS DRAWING IS UNPUBLISHED. RELEASED FOR PUBLICATION 20
 © COPYRIGHT 20 BY TYCO ELECTRONICS CORPORATION, ALL RIGHTS RESERVED.

| LOC | DIST | REVISIONS | | | | | |
|-----|------|-------------|----------|--------------|-----------|-----|-----|
| P | LTR | DESCRIPTION | DATE | DWN | APVD | | |
| J | - | 0 | RELEASED | FJ00-1427-02 | 25SEP2002 | C.O | K.K |

- | ; 本図
 - | ; AS SHOWN



PLUG CONNECTOR



RECOMMENDED PCB GENERAL TOLERANCE; ±0.05

- ① 材料
 ハウジング; 熱可塑性樹脂, UL 94V-0, 黒
 コンタクト; 銅合金
- ② 仕上げ
 コンタクト; 全面ニッケル下地めっき
 接触部; 金めっき
 半田付け部; 金フラッシュ
- ③ リフローにて表面実装の場合のみ必要
- ① MATERIAL
 HOUSING; THERMOPLASTIC RESIN, UL94V-0, BLACK
 CONTACT; COPPER ALLOY
- ② FINISH
 CONTACT; ALL OVER Ni UNDER PLATING.
 CONTACT AREA: GOLD PLATING
 SOLDERING AREA: GOLD FLASH
- ③ NECESSARY ONLY IN SURFACEMOUNTING BY REFLOW.

| | | | | | |
|--|--|---------------------------------|--|--------------------|-------------------------|
| THIS DRAWING IS A CONTROLLED DOCUMENT FOR TYCO ELECTRONICS CORPORATION IT IS SUBJECT TO CHANGE AND THE CONTROLLING ENGINEERING ORGANIZATION SHOULD BE CONTACTED FOR THE LATEST REVISION. | | DWN C. OHASHI 20SEP2002 | Tyco Electronics AMP K.K. Kawasaki, Japan | | |
| DIMENSIONS: mm | | CHK K. IKEGAMI 25SEP2002 | | | |
| TOLERANCES UNLESS OTHERWISE SPECIFIED: | | APVD K. KODAIRA 25SEP2002 | NAME BATTERY BLOCK CONNECTOR PLUG ASSY 3POS 2MM PITCH | | |
| 0 PLC ±0.2 1 PLC ±0.2 2 PLC ±0.2 3 PLC ±0.2 4 PLC ±0.2 ANGLES ±2 | | PRODUCT SPEC 108-5846 | SIZE A3 | CAGE CODE 00779 | DRAWING NO C=1612898 |
| MATERIAL ① | | FINISH ② | WEIGHT 0.24g | RESTRICTED TO - | SCALE 8/1 |
| CUSTOMER DRAWING | | | SHEET 1 | OF 1 | REV 0 |

单击下面可查看定价，库存，交付和生命周期等信息

[>>TE Connectivity\(泰科\)](#)