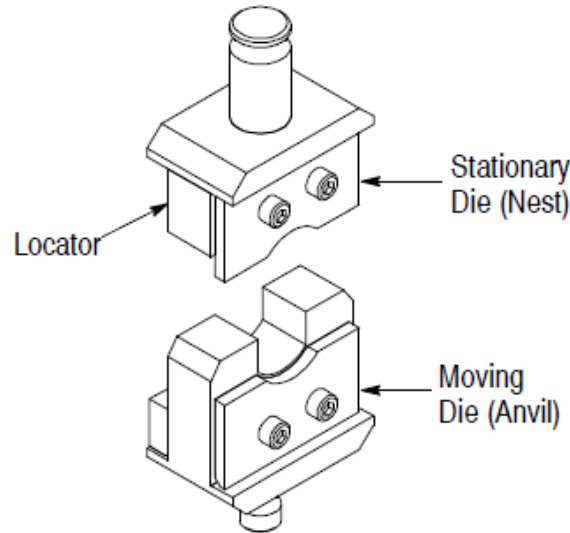


Crimping Dies; PN 47820 thru 47825, 47915, and 47918 (Typical)



Crimping Die		Wire Size (AWG)	Head or Tool
Part Number	Color Code Dot		
47820	Red	8	Hydraulic Crimping Head 69051 or Hydraulic Hand Tool 59974-1
47821	Blue	6	
47822	Yellow	4	
47823	Red	2	
47824	Blue	1/0	Hydraulic Crimping Head 69066
47825	Yellow	2/0	
47915	Red	3/0	
47918	Blue	4/0	

Figure 1

1. INTRODUCTION

Crimping Dies 47820 through 47823 are used with Crimping Head 69051 or Hand Tool 59974--1. Crimping Dies 47824, 47825, 47915, and 47918 are used with Crimping Head 69066. The dies crimp pre-insulated AMPOWER* terminals onto wire sizes 4 through 1/0 AWG, TERMINYL* terminals and splices onto wire sizes 8 through 4/0 AWG, TERMINYL splices with step-down adapters onto wire sizes 16-14 through 1/0 AWG, and PLASTI-GRIP* terminals and splices onto wire sizes 8 through 4/0 AWG. Refer to Figure 1 to ensure compatibility of crimping die, head or tool, and wire size.



NOTE

Dimensions in this document are in millimeters [with inches in brackets]. Figures and illustrations are for reference only and are not drawn to scale.

For detailed information about the head or tool, refer to the instructions packaged with the head or tool.

Reasons for reissue of this instruction sheet are provided in Section 8, REVISION SUMMARY.

2. DESCRIPTION (FIGURE 1)

Each crimping die consists of a stationary die (nest) and a moving die (anvil). The stationary die features a locator. Each die contains a color code dot that matches the color code of the terminal and splice. When mated, the dies form a crimping chamber.

3. DIE INSTALLATION AND REMOVAL



DANGER

To avoid personal injury, ALWAYS release hydraulic pressure to hose or control and disconnect power unit from power supply before installing or removing dies.

3.1. Installation

1. Remove latch pin and open yoke on crimping head (see Figure 2).

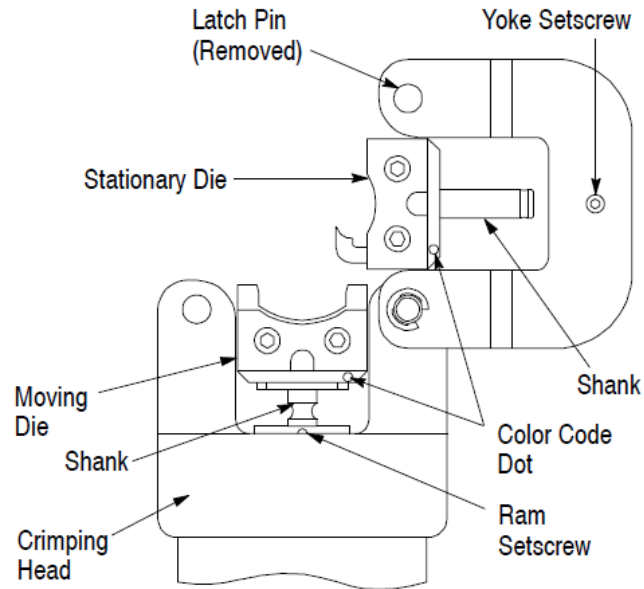


Figure 2

2. Loosen the setscrew in the yoke.
3. Insert the shank of the stationary die into the yoke, and tighten the setscrew.



NOTE

The stationary die has a large shank and the moving die has a small shank, as shown in Figure 2.

4. Extend the ram until the ram setscrew is visible.
5. Loosen the setscrew in the ram.
6. Insert the shank of the moving die into the ram, and tighten the setscrew.



CAUTION

To avoid damage to the dies, be sure the moving and stationary dies are properly oriented.

7. Activate the tool or power unit to allow the ram to return to the “down” position.
8. Close the yoke and insert the latch pin.

3.2. Removal

1. Remove latch pin and open yoke on crimping head.
2. Loosen the setscrew in the yoke, and remove the stationary die.
3. Extend the ram until the ram setscrew is visible.
4. Loosen setscrew in ram and remove moving die.

4. CRIMPING PROCEDURE

4.1. Crimping Terminals

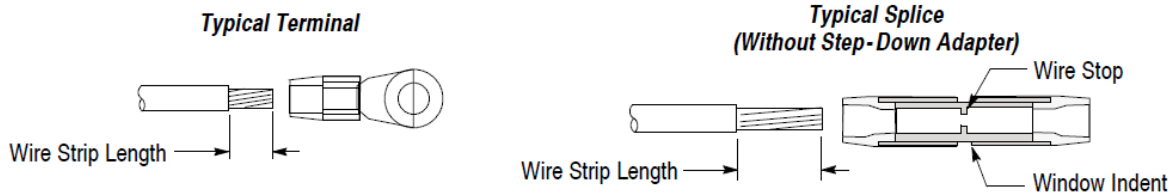


DANGER

Avoid personal injury. When operating tool or power unit, exercise caution while holding terminals or wire near crimping area.

- Strip wire to the dimensions listed in Figure 3.

Do not nick or cut the wire strands.



WIRE SIZE (AWG)	WIRE STRIP LENGTH			
	TERMINYL TERMINAL AND SPLICE		PRE-INSULATED AMPOWER TERMINAL	PLASTI-GRIP TERMINAL AND SPLICE
	TERMINAL	SPLICE		
8	7.96-9.53 [.313-.375]	15.48-17.07 [.609-.672]	--	11.51-12.29 [.453-.484]
6	11.18-12.70 [.440-.500]	20.24-19.45 [.797-.766]	--	15.47-16.26 [.609-.640]
4	11.18-12.70 [.440-.500]	19.45-21.03 [.766-.828]	10.72-12.29 [.422-.484]	15.47-16.26 [.609-.640]
2	11.43-13.08 [.450-.515]	21.83-30.18 [.859-1.188]	13.10-14.68 [.516-.578]	11.51-12.29 [.453-.484]
1/0	18.54-20.24 [.730-.797]	28.58-30.18 [1.125-1.188]	21.83-23.42 [.859-.922]	18.68-21.83 [.735-.859]
2/0	18.54-20.24 [.730-.797]	28.58-30.18 [1.125-1.188]	--	18.68-21.83 [.735-.859]
3/0	19.05-20.64 [.750-.813]	28.58-30.18 [1.125-1.188]	--	19.05-21.83 [.750-.859]
4/0	19.45-21.03 [.766-.828]	28.58-30.18 [1.125-1.188]	--	19.45-20.64 [.766-.813]

Figure 3

- Select the proper color-coded terminal for the wire size. **The wire size stamped on the terminal tongue and on the crimping die must match the wire size selected.**
- Insert stripped wire fully into terminal wire barrel. The end of the conductor must not protrude more than 1.60 mm [.063 in.] beyond the edge of the wire barrel.



CAUTION

Do NOT turn or twist the wire or terminal during insertion.

- Remove crimping head latch pin and open yoke.
- Place the terminal in the stationary die with the edge of the wire barrel resting against the locator and the bottom of the terminal tongue facing the stationary die. See Figure 4.

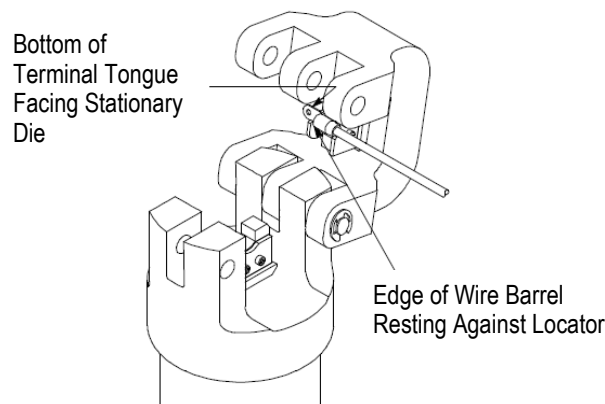


Figure 4

6. Holding the terminal in place, close the yoke and insert the latch pin.

**CAUTION**

Be sure latch pin is fully inserted, otherwise damage to the die and tool or head will occur when the tool or power unit is activated.

7. Holding wire in place, activate tool or power unit to complete crimp.
8. When crimp is completed, remove the latch pin, open the yoke, and remove the terminal.

**NOTE**

If terminal sticks in die after crimping, apply a rocking action to the terminal to remove it from the die. Wipe light oil on the dies to prevent sticking, or use spray dry lubricant.

9. Inspect the crimp according to Section 5.

4.2. Crimping Splices without Step-Down Adapter

**DANGER**

Avoid personal injury. When operating tool or power unit, exercise caution while holding splice or wire near the crimping area.

1. Strip wires to the dimensions listed in Figure 3.
Do not nick or cut the wire strands.
2. Select the proper color-coded splice for the wire size. **The wire size stamped on the splice and on the crimping die must match the wire size selected.**
3. Insert the stripped wire into the wire barrel of the end of the splice to be crimped until the wire bottoms against the wire stop within the splice.
4. Remove crimping head latch pin and open yoke.
5. Place the splice in the stationary die. Grasp the end of the splice to be crimped and point the opposite end toward the top of the head yoke at a 30° (approximate) angle. Rotate the end of the splice to be crimped into the die. Position the edge of the window indent against the locator. Refer to Figure 5.

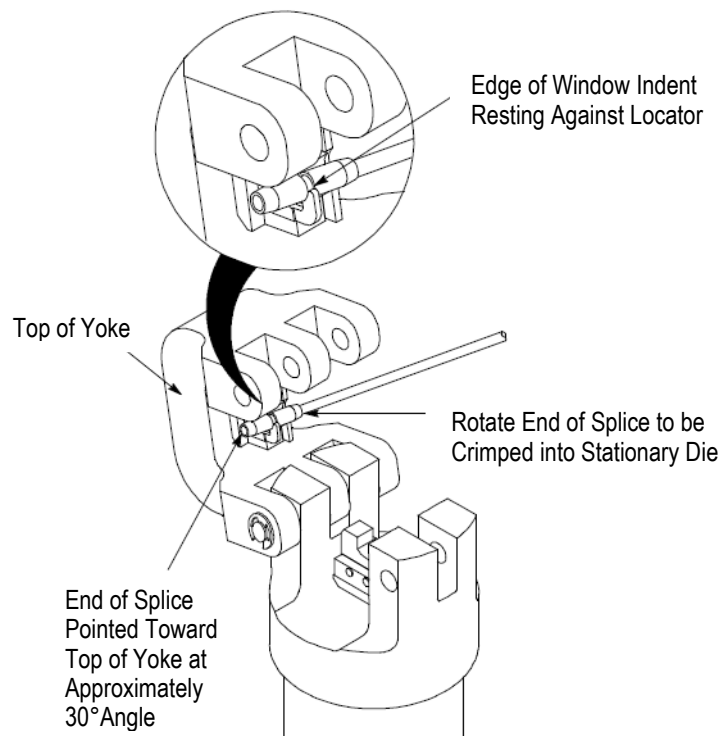


Figure 5

6. Holding the splice in place, close the yoke and insert the latch pin.



CAUTION

Be sure latch pin is fully inserted, otherwise damage to the dies and tool or head will occur when the tool is activated.

7. Holding wire in place, activate tool or power unit to complete first wire barrel crimp.
8. When crimp is completed, remove latch pin, open yoke and remove the splice.



NOTE

If splice sticks in die after crimping, apply a rocking action to the splice to remove it from the die. Wipe light oil on dies to reduce sticking, or use spray dry lubricant.

9. To crimp the other half of splice, reposition un-crimped end of splice in the stationary die and follow the same procedure used to crimp the first half of splice.
10. Inspect the crimp according to Section 5.

4.3. Crimping Splices with Step-Down Adapter



DANGER

Avoid personal injury. When operating tool or power unit, exercise caution while holding splice or wire near the crimping area.

1. Strip wires to the dimensions listed in Figure 3.

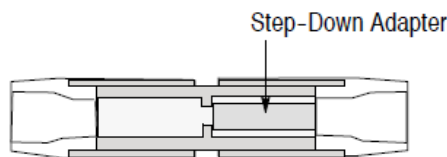
Do not nick or cut the wire strands.

2. Select the proper splice, adapter, and crimping die for the wire size (see Figure 6).



NOTE

Note that the end of the splice containing the adapter has a different color code. Use the crimping die for the larger wire size to crimp both ends of the splice. For example, use Crimping Die 47820 (for wire size 8 AWG) to crimp both ends of the splice with step-down adapter for stepping down from wire size 8 to 16-14 AWG.



WIRE SIZE (AWG) STEP	CRIMPING DIE	DIE AND SPLICE COLOR CODE	STEP-DOWN ADAPTER COLOR CODE
8 to 16-14	47820	Red	Blue
8 to 12-10			Yellow
6 to 8	47821	Blue	Red
4 to 8	47822	Yellow	Red
4 to 6			Blue
2 to 4	47823	Red	Yellow
1/0 to 2	47824	Blue	Red

Figure 6

3. Insert stripped wire into the wire barrel of the end of the splice to be crimped until the wire bottoms against the wire stop within the splice (refer to Figure 3).
4. Remove crimping head latch pin and open yoke.
5. Place the splice in the stationary die. Grasp the end of the splice to be crimped and point the opposite end toward the top of the head yoke at a 30° (approximate) angle. Rotate the end of the splice to be crimped into the die. Position the edge of the window indent against the locator. Refer to Figure 5.

6. Holding the splice in place, close the yoke and insert the latch pin.



CAUTION

Be sure latch pin is fully inserted, or damage to the dies and tool or head will occur when the tool is activated.

7. Holding the wire in place, activate tool or power unit to complete first wire barrel crimp.
8. When crimp is completed, remove latch pin, open yoke and remove splice.



NOTE

If splice sticks in die after crimping, apply a rocking action to the splice to remove it from the die. Wipe light oil on dies to reduce sticking, or use spray dry lubricant.

9. To crimp the other half of splice, reposition un-crimped end of splice in the stationary die and follow the same procedure used to crimp the first half of splice.
10. Inspect the crimp according to Section 5.

4.4. Crimping PLASTI-GRIP Butt Splices



DANGER

Avoid personal injury. When operating tool or power unit, exercise caution while holding butt splices or wire near crimping area.

1. Strip wires to the dimensions listed in Figure 3.

Do not nick or cut the wire strands.

2. Select the proper color-coded butt splice for the wire size. **The wire size stamped on the butt splice and on the crimping die must match the wire size selected.**
3. Remove crimping head latch pin and open yoke. Remove the stationary die from the yoke, then remove the locator from the stationary die. Re-assemble the stationary die onto the yoke.



CAUTION

To avoid damage to the dies, be sure the stationary die is properly oriented with the moving die.

4. Insert the stripped wire into the wire barrel of the end of the butt splice to be crimped until the wire bottoms against the wire stop within the splice.
5. Place the butt splice in the stationary die with the wire barrel of the end of the splice to be crimped centered over the crimping chamber (see Figure 7).

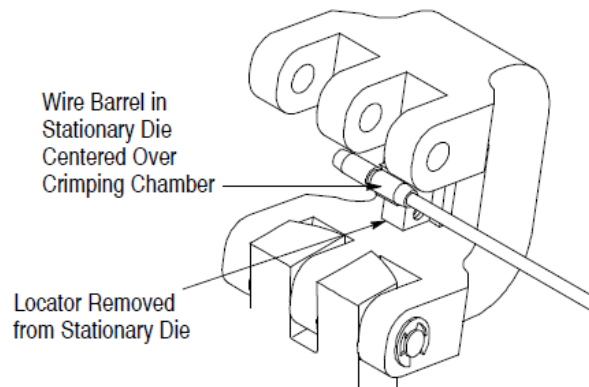


Figure 7

6. Holding butt splice in place, close the yoke and insert latch pin.



CAUTION

Be sure latch pin is fully inserted, otherwise damage to the die and tool or head will occur when the tool or power unit is activated.

7. Holding wire in place, activate tool or power unit to complete first wire barrel crimp.

8. When crimp is completed, remove latch pin, open yoke, and remove the butt splice.



NOTE

If butt splice sticks in die after crimping, apply a rocking action to the butt splice to remove it from the die. Wipe light oil on dies to reduce sticking, or use spray dry lubricant.

9. To crimp the other half of butt splice, reposition un-crimped end of splice in the stationary die and follow the same procedure used to crimp the first half of splice.



NOTE

Be sure to re-assemble locator onto stationary die after crimping PLASTI-GRIP butt splices.

10. Inspect the crimp according to Section 5.

5. CRIMP INSPECTION

Inspect crimped terminals and splices by checking the features described in Figure 9. Use only the terminals and splices that meet the conditions shown in the "ACCEPT" column.

6. MAINTENANCE / INSPECTION



DANGER

To avoid personal injury, ALWAYS release hydraulic pressure to hose or control and disconnect power unit from power supply before performing maintenance or inspection procedure.

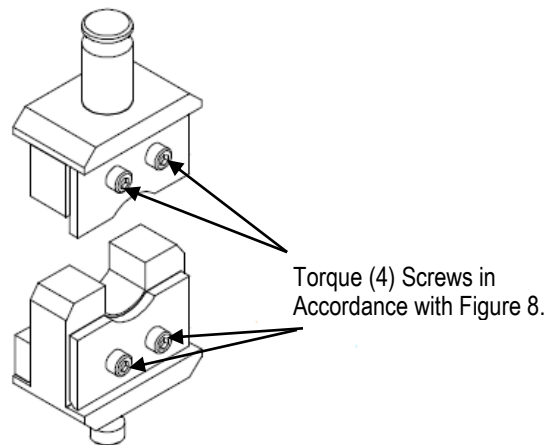
Each crimping die is thoroughly inspected before packaging. Since there is a possibility of damage during shipment, the crimping die should be inspected immediately upon arrival at your facility.

Regular inspections should be performed by quality control personnel. A record of scheduled inspections should remain with the dies and/or be supplied to supervisory personnel responsible for the dies. Though recommendations call for at least one inspection a month, the inspection frequency should be based on the amount of use, ambient working conditions, operator training and skill, and established company standards.



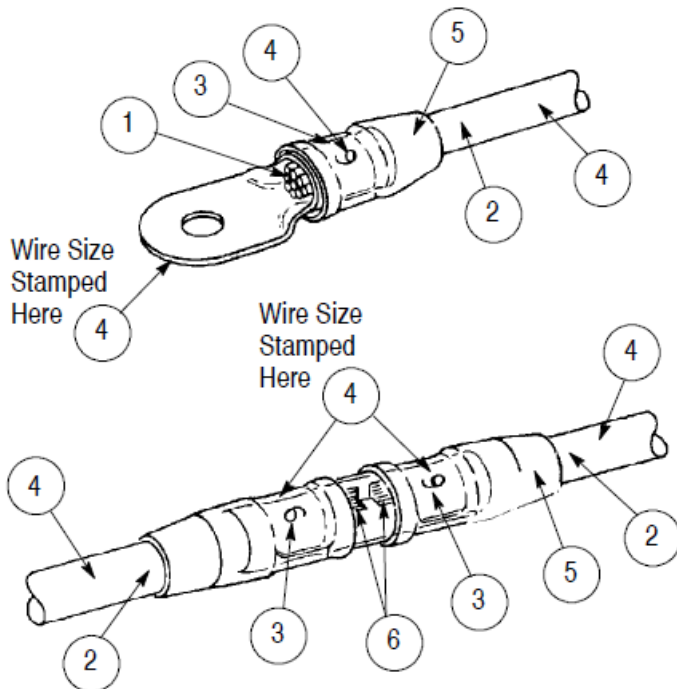
CAUTION

Regular inspections should include checking torque setting of (4) screws in accordance with Figure 8.

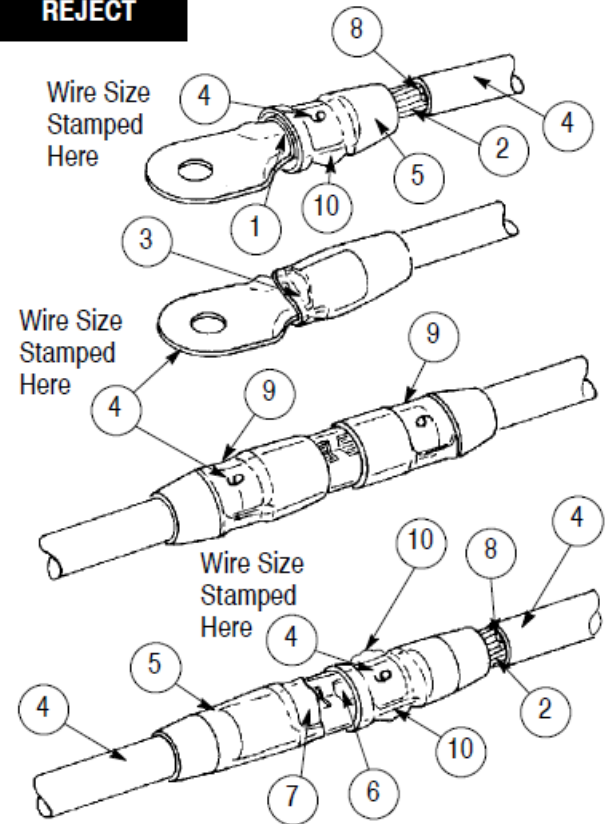


Crimping Die PN	Wire Size (AWG)	Screw Torque Setting Specification (inch-pounds)	Crimping Die PN	Wire Size (AWG)	Screw Torque Setting Specification (inch-pounds)
47820	8	28	47824	1/0	49
47821	6	28	47825	2/0	49
47822	4	28	47915	3/0	49
47823	2	28	47918	4/0	49

Figure 8

ACCEPT


- ① End of wire conductor is flush with or extends beyond edge of terminal wire barrel a maximum of 1.60 [.063].
- ② Wire fully inserted.
- ③ Crimp centered on wire barrel.
- ④ Wire size is the same as wire size stamped on terminal tongue, splice body, and wire barrel.
- ⑤ Proper color code, wire size, and tooling combination used.
- ⑥ Wire conductors butted against wire stop, or flush with or extended slightly beyond edge of splice wire barrel.

REJECT


- ① End of wire conductor not flush with or extending slightly beyond end of terminal wire barrel.
- ② Wire not inserted fully or wrong strip length used.
- ③ Crimp not centered on terminal wire barrel. Terminal wire barrel was not butted against locator when crimped.
- ④ Wire size not the same as wire size stamped on terminal tongue, splice body, and wire barrel.
- ⑤ Wrong color code, wire size, and tooling combination used.
- ⑥ End of wire conductor not visible. Conductor did not butt against wire stop, or was not flush with or extended slightly beyond splice wire barrel.
- ⑦ Crimp not centered on splice wire barrel. Edge of window indent did not butt against locator when crimped.
- ⑧ Nicked or missing wire strands.
- ⑨ Splice was reversed in die (locator was not oriented with window indent) when crimped.
- ⑩ Excessive "flash" or extruded wire insulation (die was either damaged or incompatible when crimped).

Figure 9

6.1. Daily Maintenance

It is recommended that each operator of the dies be made aware of-and responsible for-the following steps of daily maintenance:

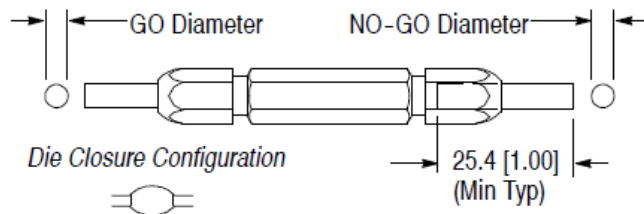
1. Remove dust, dirt, and other contaminants with a clean brush, or a soft, lint--free cloth. Do NOT use objects that could damage the dies.
2. Make certain the dies are protected with a THIN coat of any good SAE 20 motor oil. Do not oil excessively.
3. When the dies are not in use, mate them and store in a clean, dry area.

6.2. Visual Inspection

1. Remove all lubrication and accumulated film by immersing the dies in a suitable commercial degreaser that will not affect paint or plastic material.
2. Make sure all die components are in place. If replacements are necessary, refer to the replacement parts listed in Figure 12.
3. Check components for wear. Remove and replace worn components.
4. Inspect the crimp area for flattened, chipped, cracked, worn, or broken areas. If damage is evident, the dies must be repaired before returning them to service (see Section 7, REPLACEMENT AND REPAIR).

6.3. Gaging the Crimping Chamber

The die closure inspection is accomplished using plug gages. A suggested gage design and the GO and NO-GO diameters of the plug gage elements are shown in Figure 10.



CRIMPING DIE	GAGE ELEMENT DIAMETER	
	GO	NO-GO
47820	5.105-5.113 [.2010-.2013]	5.255-5.258 [.2069-.2070]
47821	6.020-6.027 [.2370-.2373]	6.170-6.172 [.2429-.2430]
47822	6.833-6.840 [.2690-.2693]	6.982-6.985 [.2749-.2750]
47823	8.103-8.110 [.3190-.3193]	8.252-8.255 [.3249-.3250]
47824	10.185-10.193 [.4010-.4013]	10.335-10.338 [.4069-.4070]
47825	11.354-11.361 [.4470-.4473]	11.504-11.506 [.4529-.4530]
47915	12.675-12.682 [.4990-.4993]	12.824-12.827 [.5049-.5050]
47918	14.249-14.257 [.5610-.5613]	14.399-14.402 [.5669-.5670]

Figure 10

The following procedure is recommended for inspecting the die closures:

1. Mate the dies until it is evident that they have bottomed. Hold the dies in this position.
2. Align the GO element with the crimping chamber. Push element straight into the crimping chamber without using force. The GO element must pass completely through the crimping chamber as shown in Figure 11.
3. Align the NO-GO element and try to insert it straight into the crimping chamber. The NO-GO element may start entry but must not pass completely through as shown in Figure 11.

If the crimping chamber conforms to the gage inspection, the crimping die is considered dimensionally correct and should be lubricated with a THIN coat of SAE 20 motor oil.

If the crimping chamber DOES NOT conform to the gage inspection not, the dies must be repaired before returning them to service (see Section 7, REPLACEMENT AND REPAIR).

For additional information concerning the use of a plug gage, refer to Instruction Sheet [408-7424](#).

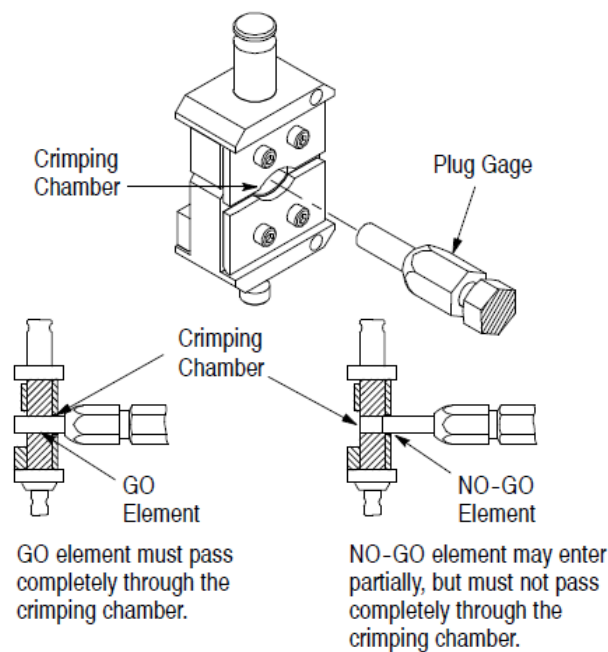


Figure 11

7. REPLACEMENT AND REPAIR

The parts listed in Figure 12 are customer-replaceable. A complete inventory can be stocked and controlled to prevent lost time when replacement of parts is necessary. Order replacement parts through your TE Connectivity Representative, or call 1-800-526-5142, or send a facsimile of your purchase order to 1-717-986-7605, or write to:

CUSTOMER SERVICE (038-035)
 TE CONNECTIVITY CORPORATION
 P.O. BOX 3608
 HARRISBURG, PA 17105—3608



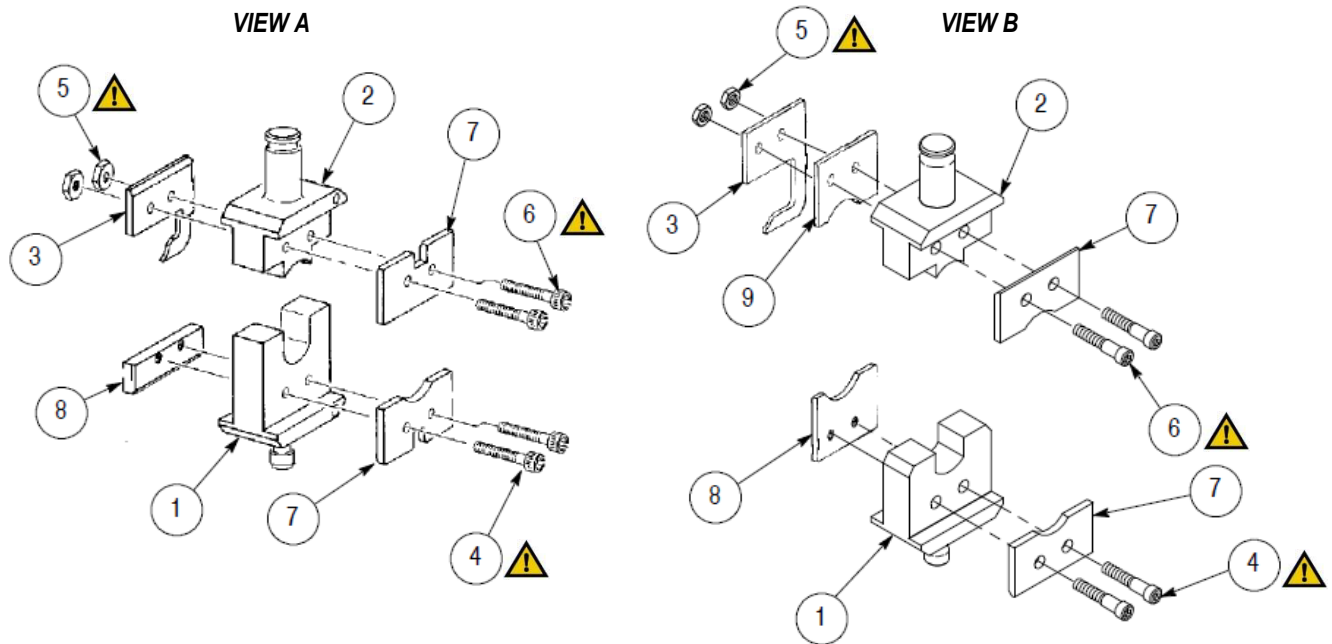
NOTE

Dies may be returned for evaluation and repair.

For die repair service, contact a TE Representative at 1-800-526-5136.

8. REVISION SUMMARY

- Add screw torque and LOCTITE application to process resulting in a new Figure 8, renumbering of subsequent Figures, and CAUTIONS in SECTIONS 6 and 8.
- Revised quantities of Items 2, 3, 5, 6 in Figure 12.



Replacement Parts										
Part Numbers for Crimping Die										
Item	View A			View B					Description	Qty Per Assy
	47820	47821	47822	47823	47824	47825	47915	47918		
1	47941	47944	47947	47950	47910	47913	47916	47919	Die, Moving	1
2	47940	47943	47946	47949	47911	47914	47917	47920	Die, Stationary	1
3	313336-1	313336-2	313336-3	313337-1	46606	313337-2	313337-3	313337-4	Locator	1
4	2-21000-0	2-306105-5	2-306105-5	4-306105-4	3-21000-0				Screw	2
5	21018-5			21018-6					Nut	2
6	4-306105-5	2-306105-5	2-21000-2	4-306105-6	6-305927--4				Screw	2
7	313322-4	313322-3	313322-2	313322-1	313323-1	313323-2	313323-3	313323-4	Plate, Flare	2
8	304383	304384	304385	1-45992-0	45992-3	45992-7	45992-8	45992-9	Plate, Flare, Lower	1
9	N/A			45992-2	45992-1	45992-4	45992-5	45992-6	Plate, Flare, Upper	1



CAUTION

Apply LOCTITE THREADLOCKER BLUE 242 or LOCTITE THREADLOCKER BLUE 243 to threads of items 4, 5, and 6. Torque screws to applicable specification in Figure 8.

Figure 12

LOCTITE, THREADLOCKER BLUE 242, and THREADLOCKER BLUE 243 are trademarks.

单击下面可查看定价，库存，交付和生命周期等信息

[>>TE Connectivity\(泰科\)](#)