

HYBRID-HIGH RELIABILITY DC/DC CONVERTER

Description

The ATR28XXT Series of DC/DC converters provide 30W of output power over the full military temperature range with no derating. These devices are pin compatible with the ATO series converters but offer twice the maximum output power in a lower profile package. A custom CMOS ASIC pulse width modulator operating at a nominal switching frequency of 550KHz combined with a unique magnetic feedback reduces circuit complexity for enhanced reliability. These converters provide 500V input to output isolation and operate in highly efficient single forward mode.

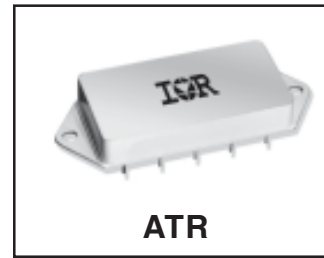
The advanced feedback design and high operating frequency provide an extremely wide bandwidth control loop with high gain and phase margin. This results in fast dynamic line and load response as well as superior audio rejection. The control loop is compensated to provide optimum performance over the full military temperature range and over the 16V to 40V input voltage range.

These converters are protected against both continuous output short circuits and output overload. Either load fault condition will result in operating in a low power dissipation foldback mode. The converters will shut down for approximately 15ms, then attempt to restart. This cycle will continue indefinitely unless the load fault is corrected. Recovery to normal operation is automatic upon removal of the load fault.

Manufactured in a facility full qualified to MIL-PRF-38534, these converters are fabricated utilizing DSCC qualified processes. For available screening options, refer to device screening table in the data sheet. Variations in electrical, mechanical and screening can be limited accommodated. Contact IR Santa Clara with specific requirements.

www.irf.com

ATR28XXT SERIES 28V Input, Triple Output



Features

- 30W Output Power
- Flexible Output Loading
- -55°C to +125°C Operation
- Pin Compatible with ATO
- 0.410" Maximum Height
- 16V to 40VDC Input Range
- 500V Input to Output Isolation
- High Audio Rejection
- MIL-STD-704 Compatible
- Load Fault Protection - Short Circuit and Overload
- TTL level Compatible Synchronization
- Standard Microcircuit Drawings Available

ATR28XXT Series

Specifications

International
IR Rectifier

$T_{CASE} = -55^{\circ}\text{C}$ to $+125^{\circ}\text{C}$, $V_{IN} = +28\text{V} \pm 5\%$ unless otherwise specified

Absolute Maximum Ratings	
Input voltage	-0.5V to +50VDC
Power Output	Internally limited, 37.5W typical
Lead temperature	300°C
Storage temperature	-65°C to +135°C

Test	Symbol	Conditions $-55^{\circ}\text{C} \leq \text{TC} \leq +125^{\circ}\text{C}$, $V_{IN} = 28 \text{V}_{DC} \pm 5\%$, $C_L = 0$, unless otherwise specified	ATR2812T		ATR2815T		Units
			Min	Max	Min	Max	
STATIC CHARACTERISTICS							
OUTPUT Voltage ¹	V_{OUT}	$I_{OUT} = 0$ (main) $+25^{\circ}\text{C}$ over temp. range $I_{OUT} = 0$ (dual) ¹ $+25^{\circ}\text{C}$ over temp. range $V_{IN} = 16, 28$, and 40VDC (main) $V_{IN} = 16, 28$, and 40VDC (dual) ¹ $V_{IN} = 16, 28$, and 40VDC (dual) BW = 20Hz to 2MHz (main) $V_{IN} = 16, 28$, and 40VDC BW = 20Hz to 2 MHz (dual)	4.95	5.05	4.95	5.05	V_{DC}
Current ^{1,2,3,4}	I_{OUT}		4.90	5.10	4.90	5.10	V_{DC}
			± 11.88	± 12.12	± 14.85	± 15.15	V_{DC}
Ripple ^{1,5}	V_{RIP}	± 11.76	± 12.24	± 14.70	± 15.30	V_{DC}	
		100	4000	100	4000	mA	
		0.0	± 625	0.0	± 500	mA	
			60		60	mVp-p	
			40		40	mVp-p	
REGULATION Line ^{1,3}	V_{RLINE}	$V_{IN} = 16, 28$, and 40VDC $P_{OUT} = 0.5, 7.5, 15\text{W}$ (main) $V_{IN} = 16, 28$, and 40VDC (dual) $P_{OUT} = 1.2/1.5, 7.5$ and 15W (dual) $V_{IN} = 16, 28$, and 40VDC $P_{OUT} = 0.5, 7.5, 15\text{W}$ (main) $V_{IN} = 16, 28$, and 40VDC $P_{OUT} = 1.2/1.5, 7.5$, and 15W (dual)		± 25		± 25	mV
Load ^{1,3}	V_{RLOAD}			± 60		± 75	
INPUT Current	I_{IN}	$I_{OUT} = 0$, inhibit (pin 8) Tied to input return (pin 10) $I_{OUT} = 0$, inhibit (pin 8) = open $I_{OUT} = 3000\text{mA}$ (main) $P_{OUT} = 15\text{W}$ (dual) BW = 20Hz to 2MHz		15		15	mA
Ripple Current ⁴	I_{RIP}			75		75	mA
				50		50	mA p-p
EFFICIENCY	E_{FF}	$I_{OUT} = 3000\text{mA}$ (main) $+25^{\circ}\text{C}$ $P_{OUT} = 15\text{W}$ (dual) over temp. range	75		75		%
			72		72		
ISOLATION	ISO	Input to output or any pin to case (except pin 8) at 500 $\text{TC} = +25^{\circ}\text{C}$	100		100		MΩ
Load Fault Power Dissipation ³	P_D	Overload Short circuit		14 9.0		14 9.0	W
Switching Frequency	F_S		500	600	500	600	KHz
SYNC Frequency Range	F_{SYNC}	50% load to/from 100% load no load to/from 50% load	500	700	500	700	KHz
Inhibit Open Circuit Voltage	V_{OI}		9.0	13	9.0	13	V
Output Response to Step transient Load changes ⁷	V_{OLOAD}	50% load to/from 100% load No load to/from 50% load	-500 -1000	+500 +1000	-500 -1000	+500 +1000	mVpk
Recovery Time Step Step transient Load changes ^{7,8}	T_{TLOAD}	50% load to/from 100% load		200		200	μs
		No load to 50% load		5.0		5.0	ms
		50% load to no load		10		10	ms

For Notes to Specifications, refer to page 3

$T_{CASE} = -55^{\circ}\text{C}$ to $+125^{\circ}\text{C}$, $V_{IN} = +28\text{V} \pm 5\%$ unless otherwise specified

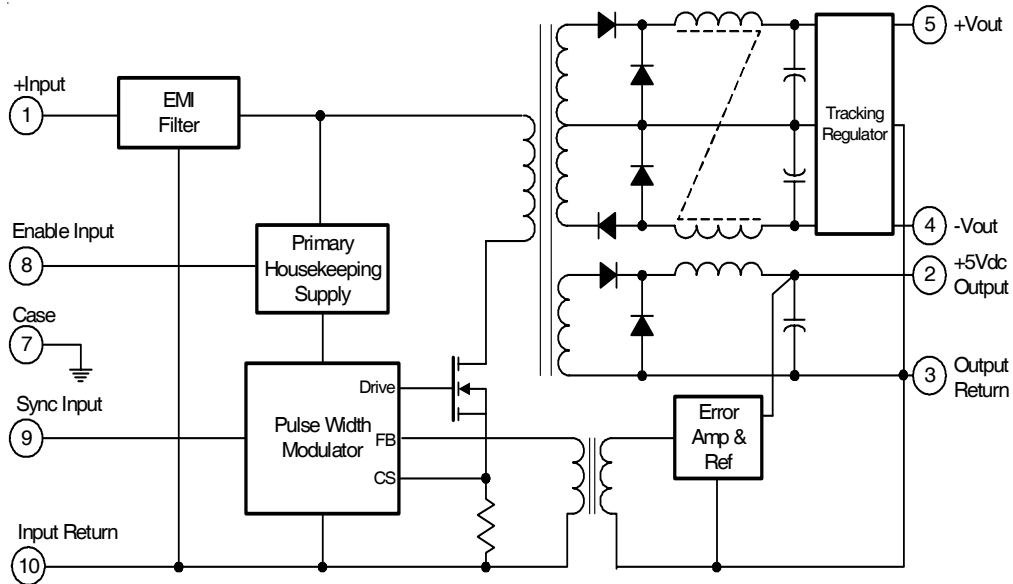
Absolute Maximum Ratings		
Input voltage	-0.5V to +50VDC	
Power Output	Internally limited, 37.5W typical	
Soldering temperature	300°C for 10 seconds	
Temperature Range ⁶	Operating case temperature	-55°C to +135°C
	Storage case temperature	-65°C to +135°C

Test	Symbol	Conditions -55°C ≤ TC ≤ +125°C, V _{IN} = 28 V _{DC} ±5%, C _L =0, unless otherwise specified	ATR2812T		ATR2815T		Units
			Min	Max	Min	Max	
Output Response to Transient step ⁹ Line changes ¹⁰	V _O T _{LINE}	Input step 16 from/to 40 VDC I _{OUT} = 3000mA (main) P _{OUT} = 15W (dual)		±1500		±1500	mV pk
Recovery Time ⁸ Transient step ⁹ Line changes ¹⁰	T _T LINE	Input step 16 from/to 40 VDC I _{OUT} = 3000mA (main) P _{OUT} = 15W (dual)		10		10	ms
Turn on Overshoot ¹	V _{Ton} O _S	I _{OUT} = 0, and 3000mA (main) P _{OUT} = 0, 15W (dual)		1000		1000	mV pk
Turn on Delay ^{1, 11}	T _{on} D	I _{OUT} = 0, 3000mA (main) P _{OUT} = 0, 15W (dual)		25		25	ms
Load Fault Recovery ¹⁰	T _R LF			25		25	ms
Device weight				65		65	g

Notes to Specifications

1. Tested at each output.
2. Parameter guaranteed byline and load regulation tests.
3. Although operation with no load is permissible, light loading on the main (+5V) output may cause the output voltage of the auxiliary outputs (±12V or ±15V) to drop out of regulation. It is therefore recommended that at least 100mA or 20% of the output power, whichever is greater, be taken from the main (+5V) output and at least 50mA (or ±12V: 1.2W, ±15V: 1.5W) of the output power is taken from the auxiliary (±12V or ±15V) .
4. Total combined output power –30W.
5. Bandwidth guaranteed by design. Tested for 20KHz to 2MHz.
6. An overload is that condition with a load in excess of the rated load but less than that necessary to trigger the overload protection circuit and is the condition of maximum power dissipation.
7. Load step transition time between 2.0µs and 10µs.
8. Recovery time is measured from the initiation of the transient to where V_{OUT} has returned to within ±1.0% of V_{OUT} at 50% load.
9. Input step transition time between 2.0µs to 10µs.
10. Parameter shall be tested as part of design characterization and after design or process changes. Thereafter parameters shall be guaranteed to the limits specified in the table.
11. Turn on delay time measurement is for either a step application of power at the input or the removal of a ground signal from the inhibit pin (pin 8) while power is applied to the input.

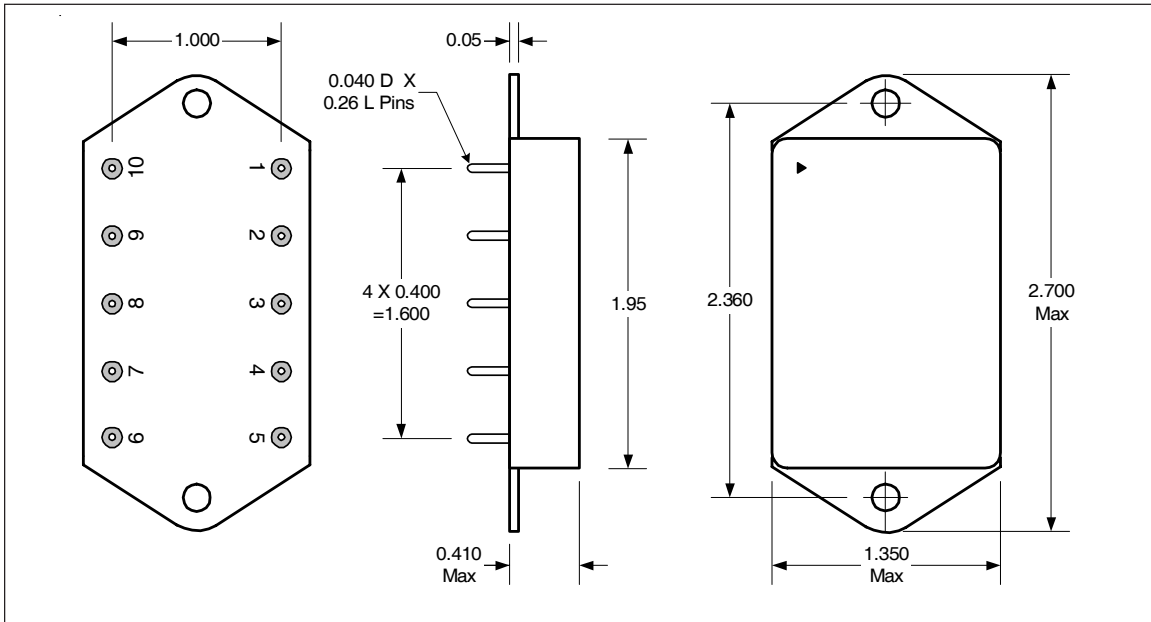
Block Diagram



Standard Microcircuit Drawing Equivalence Table

Standard Microcircuit Drawing Number	Vendor Cage Code	IR Standard Part Number
5962-92159	52467	ATR2815T
5962-93158	52467	ATR2812T

Mechanical Outlines



Pin Designation

Pin #	Designation
1	+ Input
2	+5Vdc Output
3	Output Return
4	- Dual Output
5	+ Dual Output
6	NC
7	Case Ground
8	Enable Input
9	Sync Input
10	Input Return

ATR28XXT Series

International
IR Rectifier

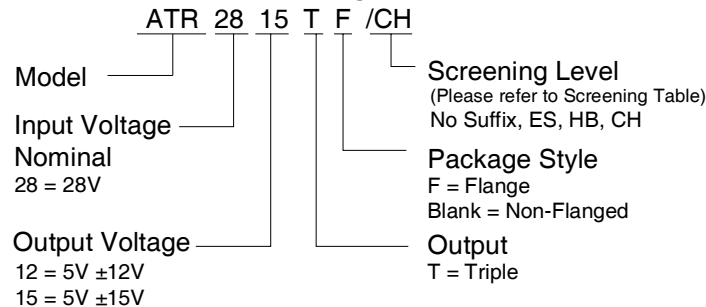
Device Screening

Requirement	MIL-STD-883 Method	No Suffix	ES ②	HB	CH
Temperature Range	—	-20°C to +85°C	-55°C to +125°C ③	-55°C to +125°C	-55°C to +125°C
Element Evaluation	MIL-PRF-38534	N/A	N/A	N/A	Class H
Non-Destructive Bond Pull	2023	N/A	N/A	N/A	N/A
Internal Visual	2017	①	Yes	Yes	Yes
Temperature Cycle	1010	N/A	Cond B	Cond C	Cond C
Constant Acceleration	2001, Y1 Axis	N/A	500 Gs	3000 Gs	3000 Gs
PIND	2020	N/A	N/A	N/A	N/A
Burn-In	1015	N/A	48 hrs@hi temp	160 hrs@125°C	160 hrs@125°C
Final Electrical (Group A)	MIL-PRF-38534 & Specification	25°C	25°C ②	-55°C, +25°C, +125°C	-55°C, +25°C, +125°C
PDA	MIL-PRF-38534	N/A	N/A	N/A	10%
Seal, Fine and Gross	1014	Cond A	Cond A, C	Cond A, C	Cond A, C
Radiographic	2012	N/A	N/A	N/A	N/A
External Visual	2009	①	Yes	Yes	Yes

Notes:

- ① Best commercial practice
- ② Sample tests at low and high temperatures
- ③ -55°C to +105°C for AHE, ATO, ATW

Part Numbering



International
IR Rectifier

WORLD HEADQUARTERS: 233 Kansas St., El Segundo, California 90245, Tel: (310) 252-7105
IR SANTA CLARA: 2270 Martin Av., Santa Clara, California 95050, Tel: (408) 727-0500
 Visit us at www.irf.com for sales contact information.

Data and specifications subject to change without notice. 08/2007

单击下面可查看定价，库存，交付和生命周期等信息

[>>Infineon Technologies\(英飞凌\)](#)