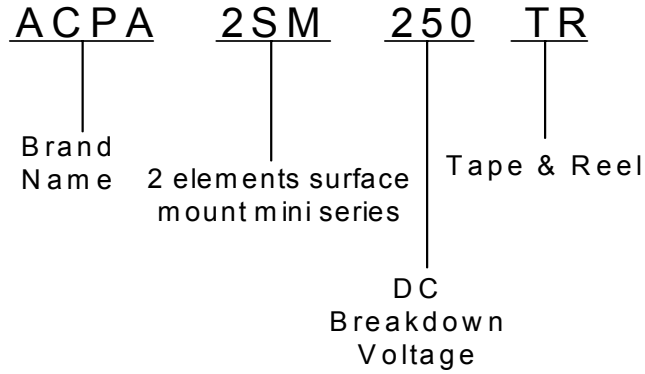
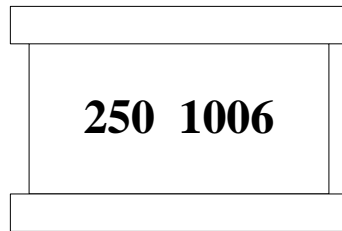


1. PART NUMBER CODE

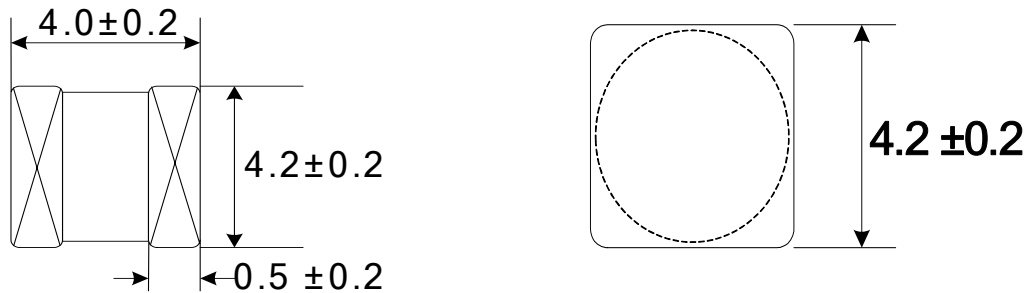


2. MARKING

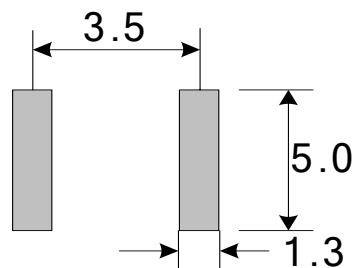


3. Outline Drawing

Unit : mm



Recommended Pad Size



4. SPECIFICATION

ELECTRICAL SPECIFICATION

Model Name	DC Breakdown Voltage (V)	Maximum Impulse Breakdown Voltage (V)		Maximum Impulse Discharge Current (8/20 μs) (KA)		Normal Alternating Discharge Current (A)		Impulse Life (10/1000μs) (100A) times	DC Holdover Voltage (V)	Minimum Insulation Resistance (GΩ)	Maximum Capacitance (pf)
		100V/μs	1000V/μs	1 time	10 times	50Hz, 1sec	Single 9cycles				
2SM-75	75 ±20%	700	800	5	3	3	6	300	52	1	0.5
2SM-90	90 ±20%	700	800						52	1	0.5
2SM-145	145 ±20%	700	800						52	1	0.5
2SM-230	230 ±20%	600	700						80	1	0.5
2SM-250	250 ±20%	600	700						80	1	0.5
2SM-300	300 ±20%	600	700						150	1	0.5
2SM-350	350 ±20%	650	800						150	1	0.5
2SM-400	400 ±20%	700	800						150	1	0.5
2SM-470	470 ±20%	800	900						150	1	0.5
2SM-600	600 ±20%	900	1000						150	1	0.5

Note1 : UL497B Recognized, File E223314

Note2 : The 2SM is round and 2SSM is square

Note3 : DC Breakdown Voltage DC Measuring Voltage

70-90V	50V
120-400V	100V
470-600V	250V

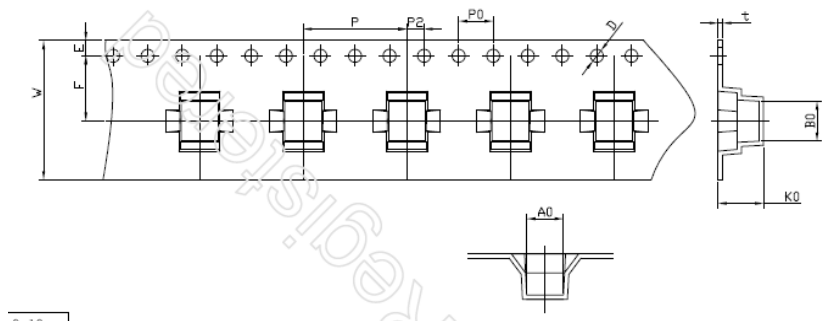
- ◆
- ◆
- ◆
- ◆
- ◆
- ◆

- ◆
- ◆
- ◆
- ◆
- ◆
- ◆

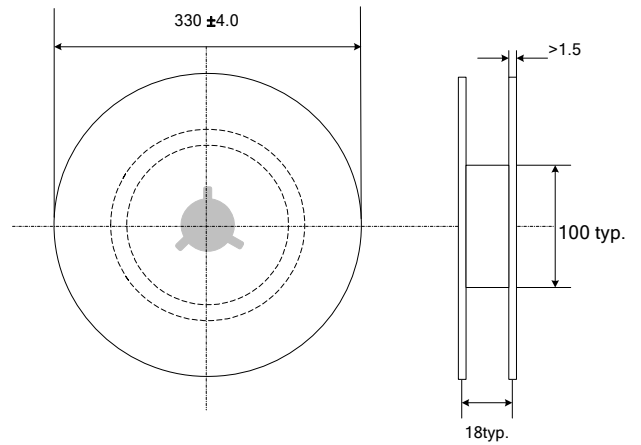
Taping

unit :mm

Item	Spec	Item	Spec
P	12.0±0.1	K0	4.6+0.2, -0.1
P0	4.0±0.1	W	16.0±0.3
F	7.5±0.1	t	0.5±0.05
P2	2.00±0.10	A0	4.25±0.10
E	1.75±0.1	B0	4.6±0.10
D	Φ1.55±0.05		



Packing Quantity : 900 pieces per reel (13")
 3 reels per inner box
 5 inner boxes per carton
 13,500 pieces per full carton



单击下面可查看定价，库存，交付和生命周期等信息

[>>ACPA\(华格科技\)](#)