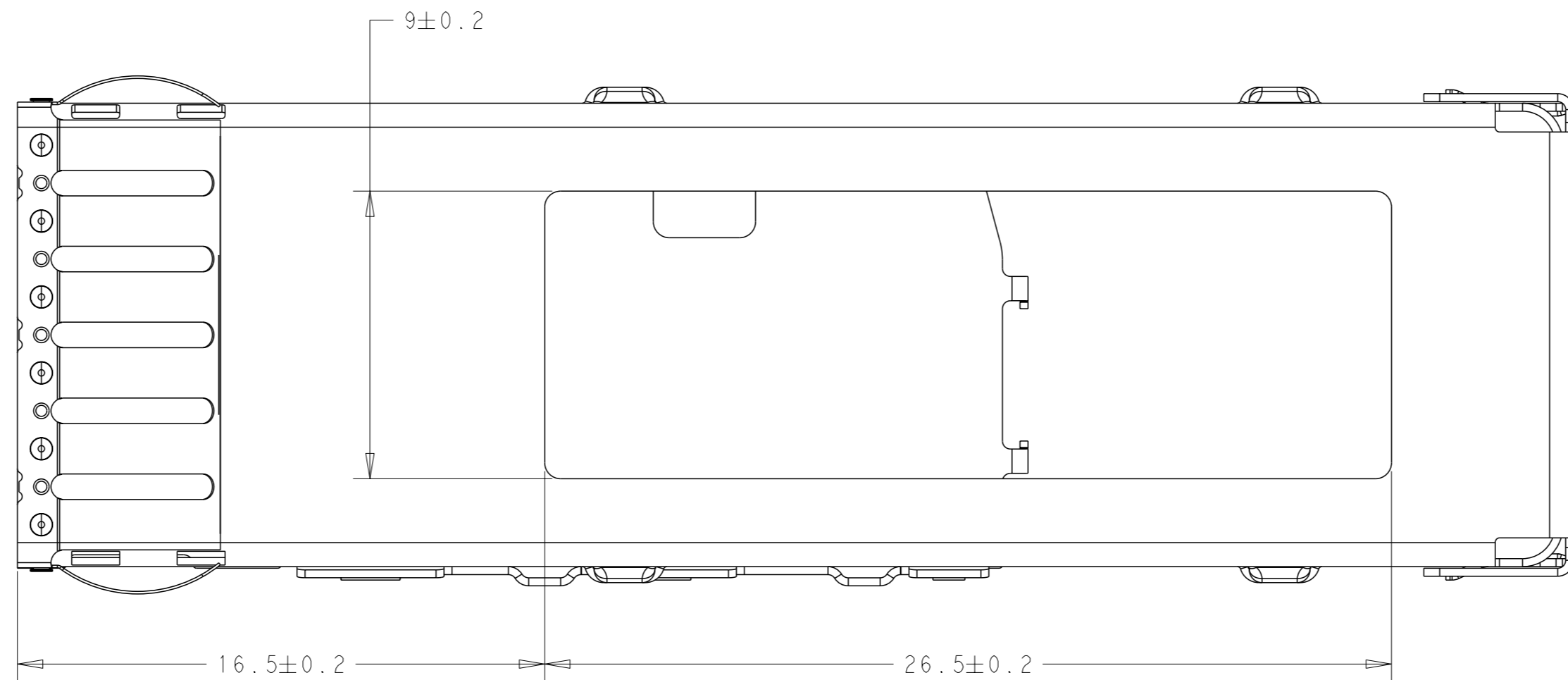
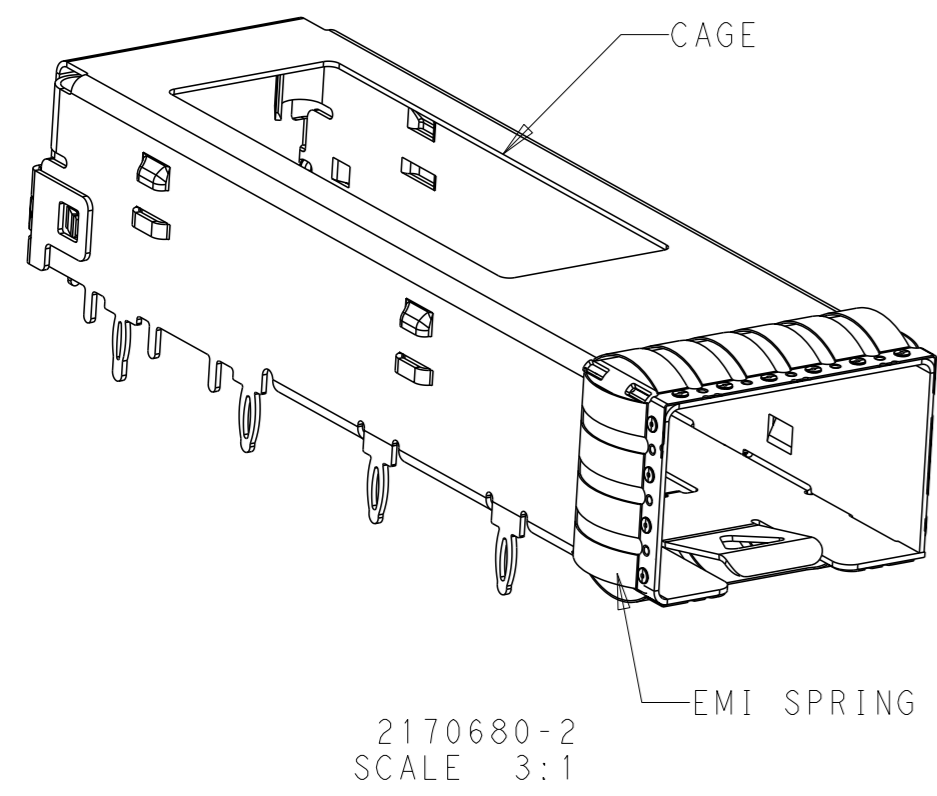
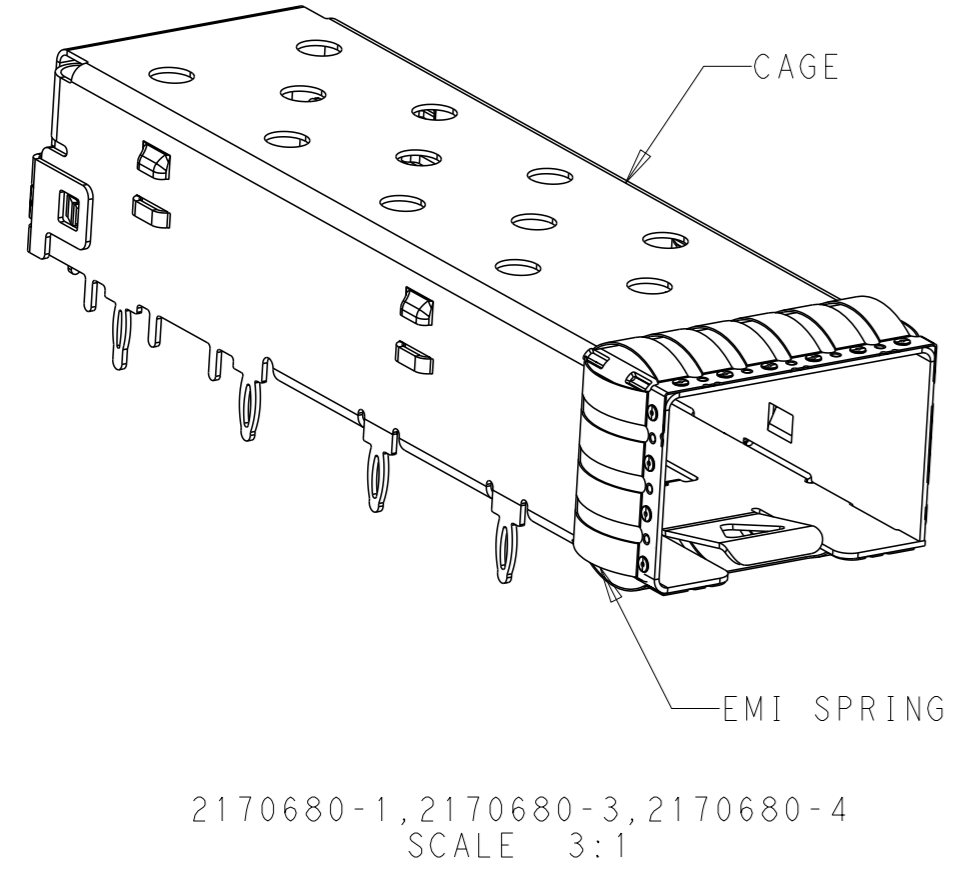


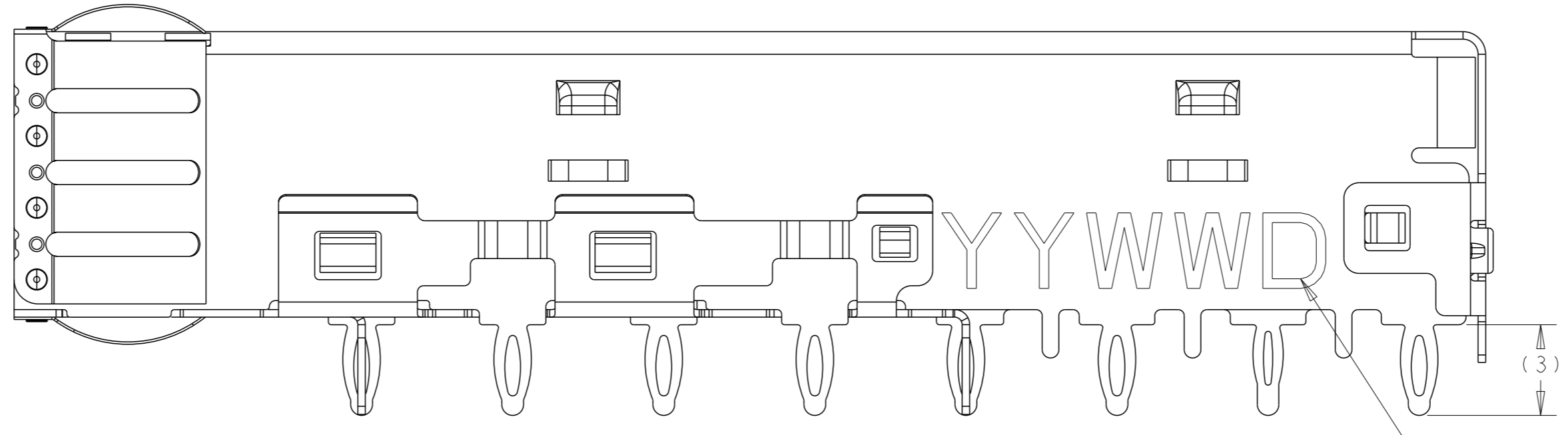
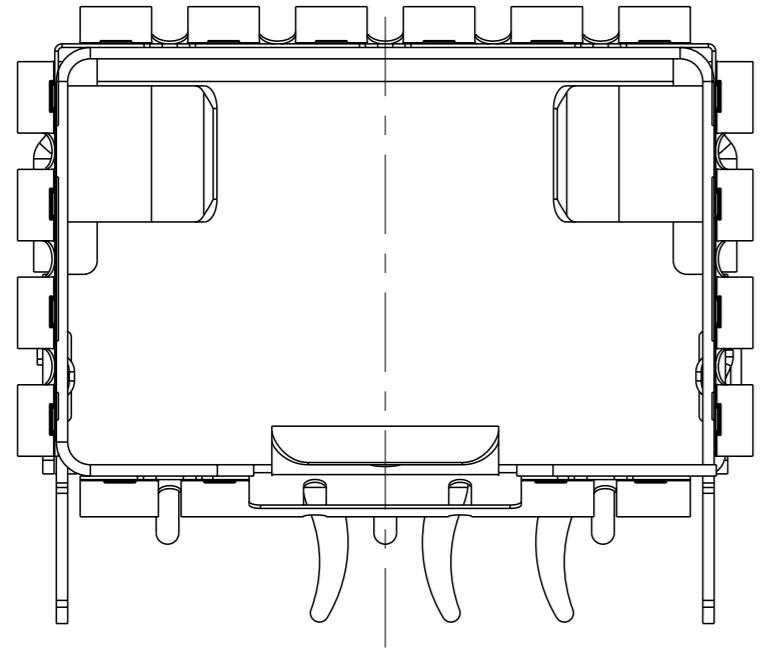
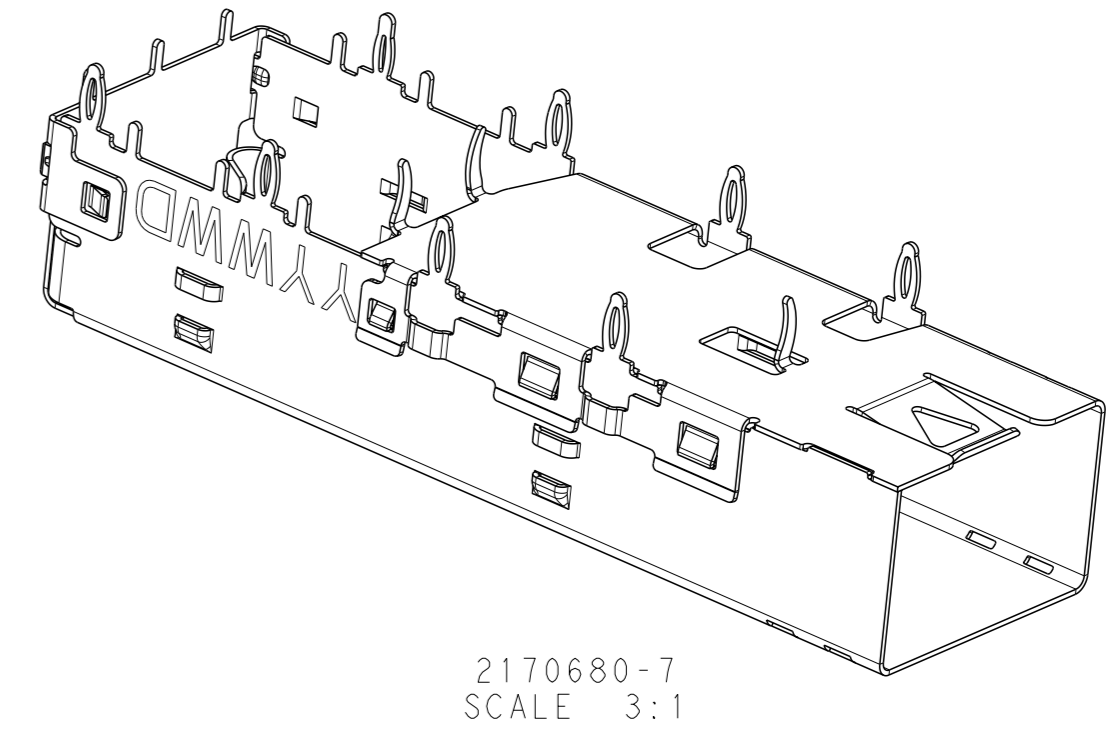
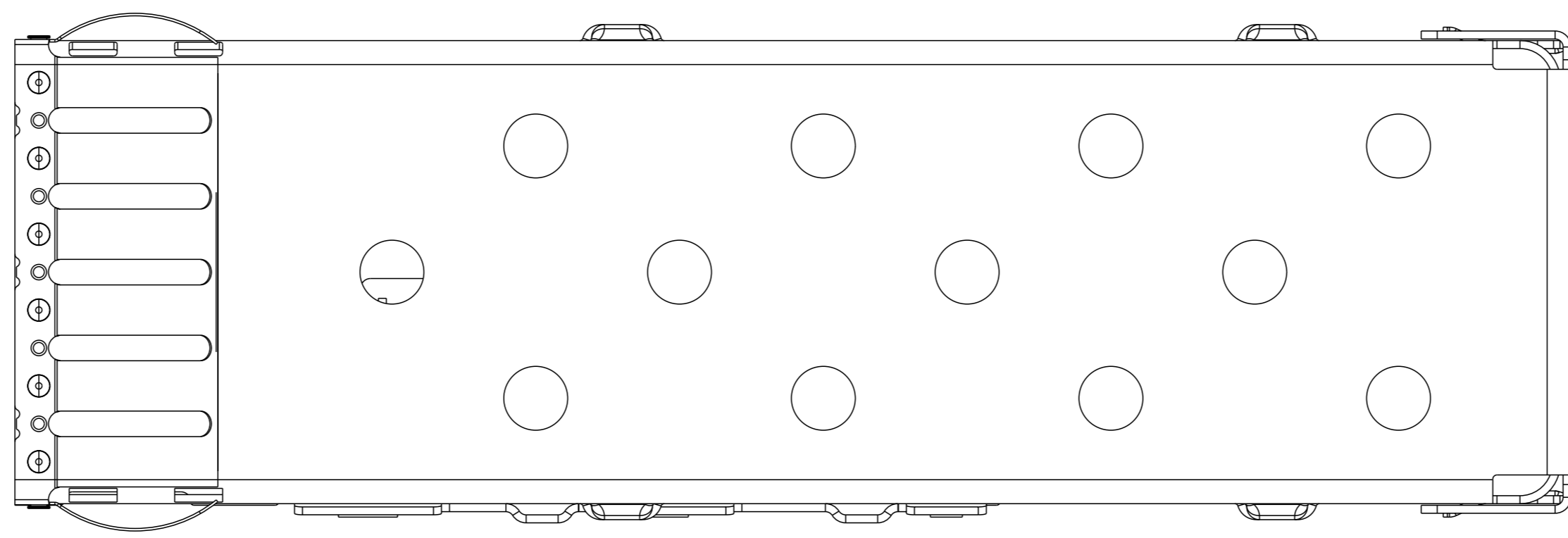
LOC	DIST	REVISIONS			
GP	00	#	DATE	OWN	APVD
		A	200EC2015	PP	SH
		A1	12JAN2016	PP	SH
		A2	15JUN2016	PP	SH
		A3	26OCT2016	PP	SH



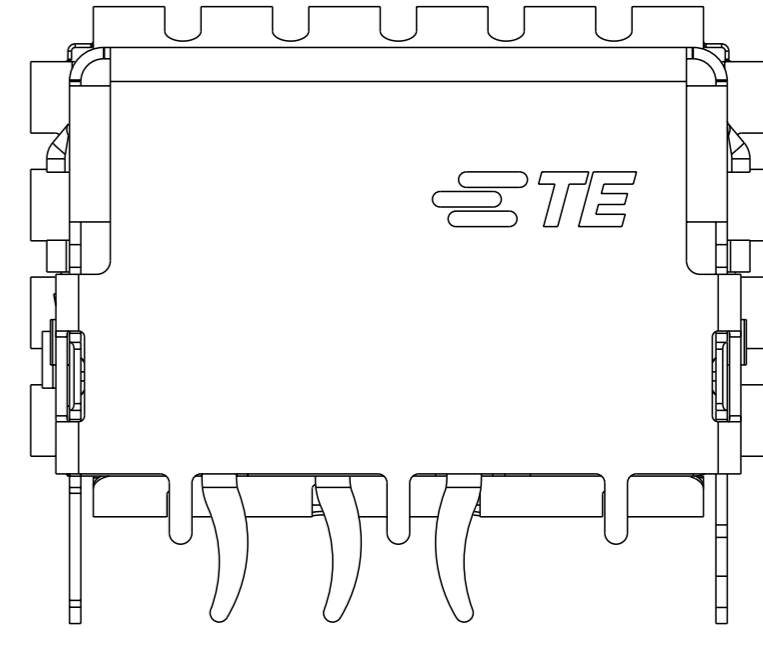
- 1 MATERIAL:
CAGE ASSEMBLY - 0.25mm THICK NICKEL SILVER ALLOY.
EMI SPRINGS - COPPER ALLOY.
- 2 FINISH
EMI SPRINGS - 0.8um MIN NICKEL, NON-PLATED EDGES PERMISSIBLE.
- 3. MATES WITH SFP MSA COMPLIANT TRANSCEIVERS.
- 4 PADS AND VIAS CHASSIS GROUND.
- 5 DATUM AND BASIC DIMENSION ESTABLISHED BY CUSTOMER.
- 6. MINIMUM PC BOARD THICKNESS:
SINGLE SIDED = 1.50 mm
DOUBLE SIDED = 3.00 mm
- 7 REFERENCE APPLICATION SPEC. 114-13120, HOLE A, FOR RECOMMENDED DRILL HOLE DIAMETER AND PLATING THICKNESS.
- 8 REFERENCE APPLICATION SPEC. 114-13120, HOLE C, FOR RECOMMENDED DRILL HOLE DIAMETER AND PLATING THICKNESS.
- 9. NOTE DELETED
- 10 PACKAGE TYPE IS TAPE AND REEL. THE PITCH IS 28MM, REEL DIAMETER IS 380MM TAPE WIDTHE IS 72MM, PER REEL QTY IS 180PCS, 360PCS/BOX.
- 11 PACKAGE TYPE IS TAPE AND REEL. THE PITCH IS 24MM, REEL DIAMETER IS 380MM TAPE WIDTHE IS 72MM, PER REEL QTY IS 180PCS, 360PCS/BOX. THE COLOR OF POCKET TAPE IS BLACK.



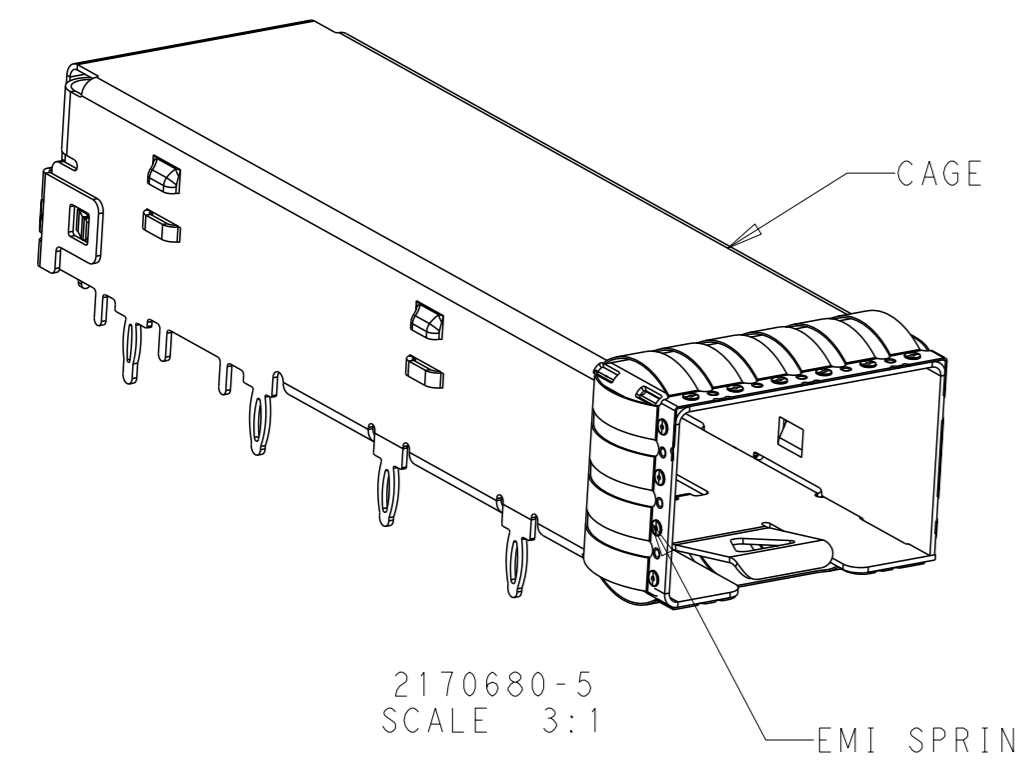
2170680-2
SAME AS 2170680-1 EXCEPT AS SHOWN
TOP VIEW



APPROXIMATE LOCATION OF LASER DATE CODE



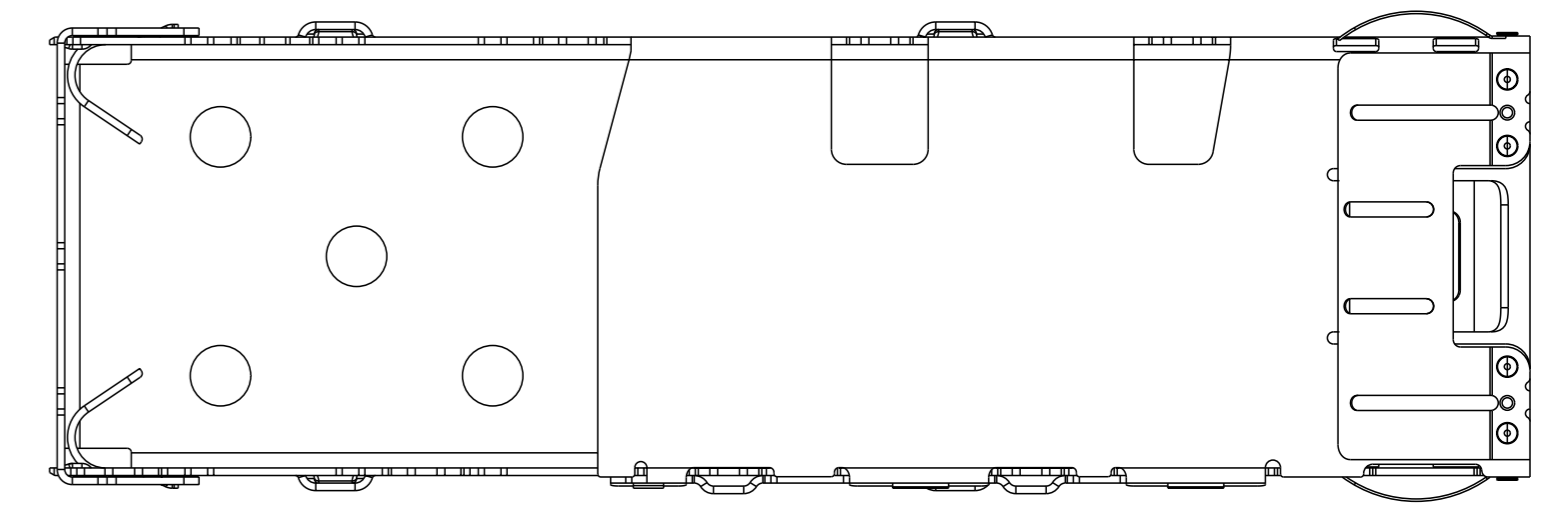
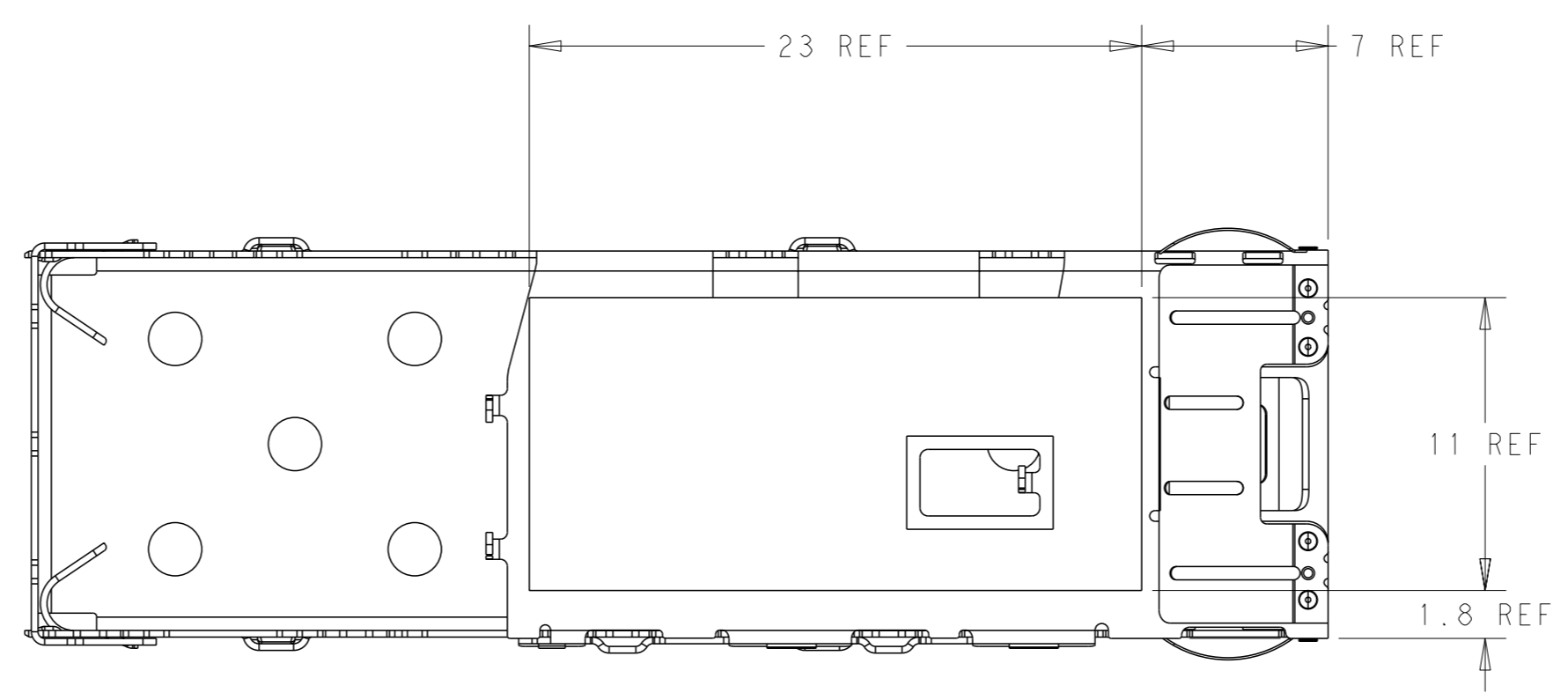
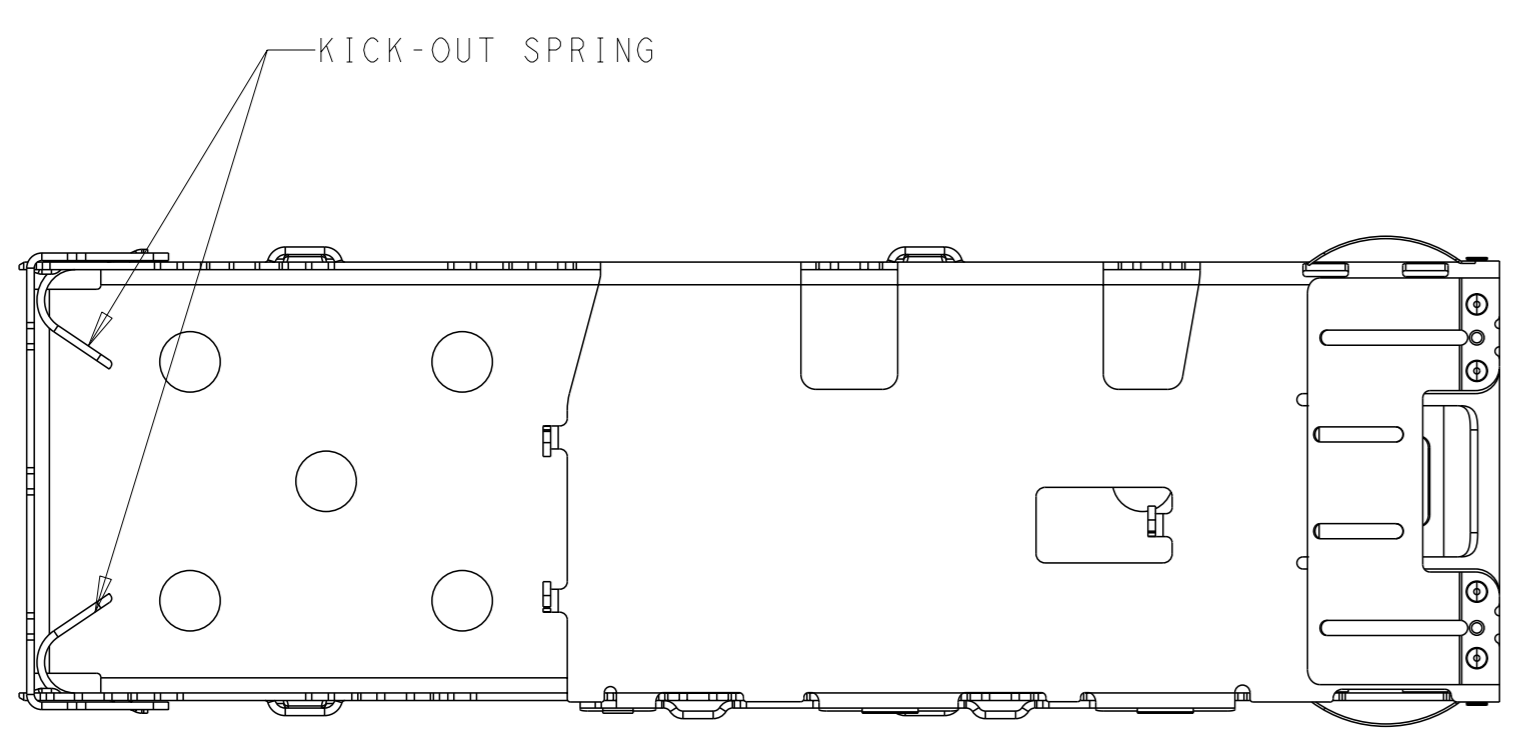
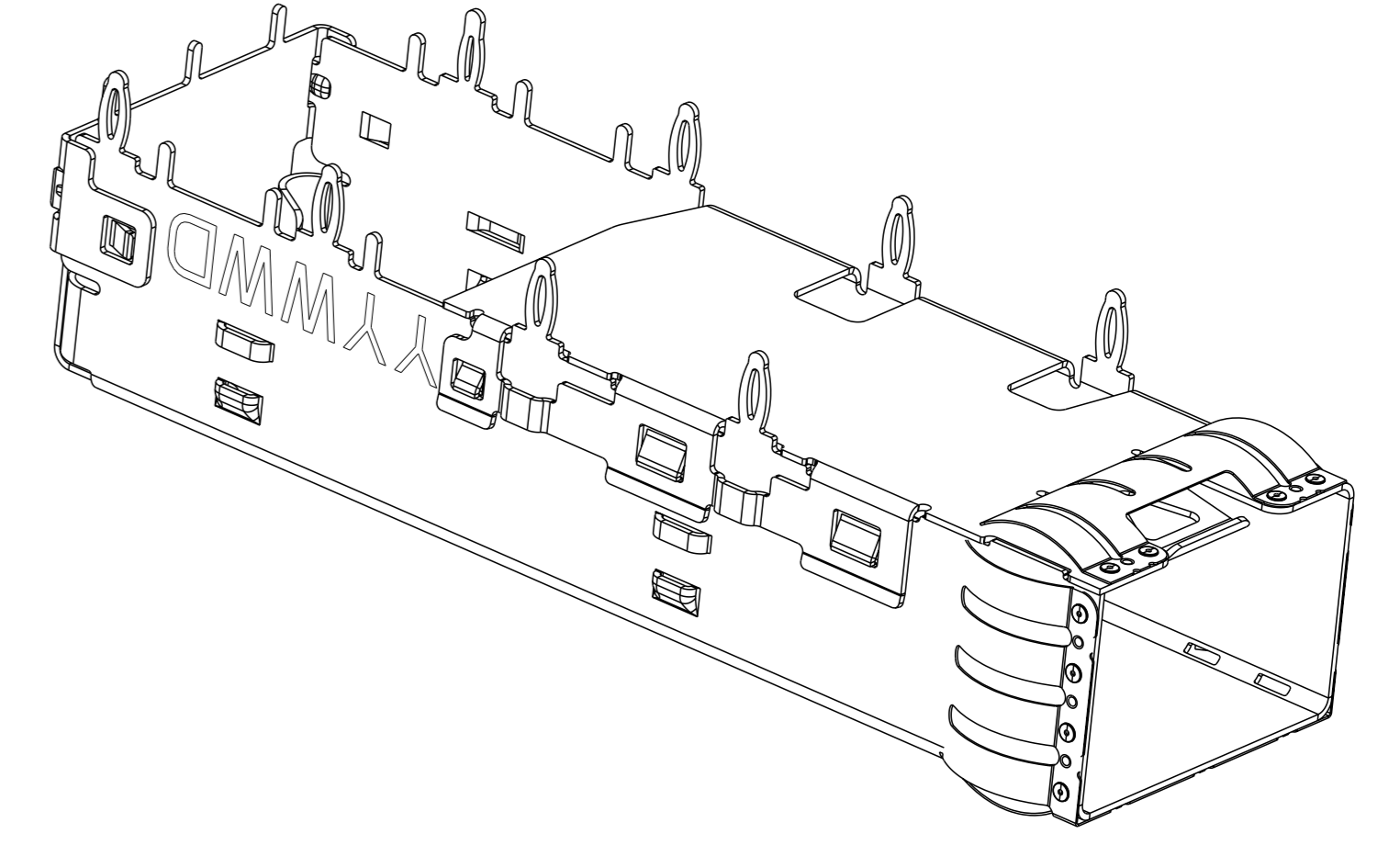
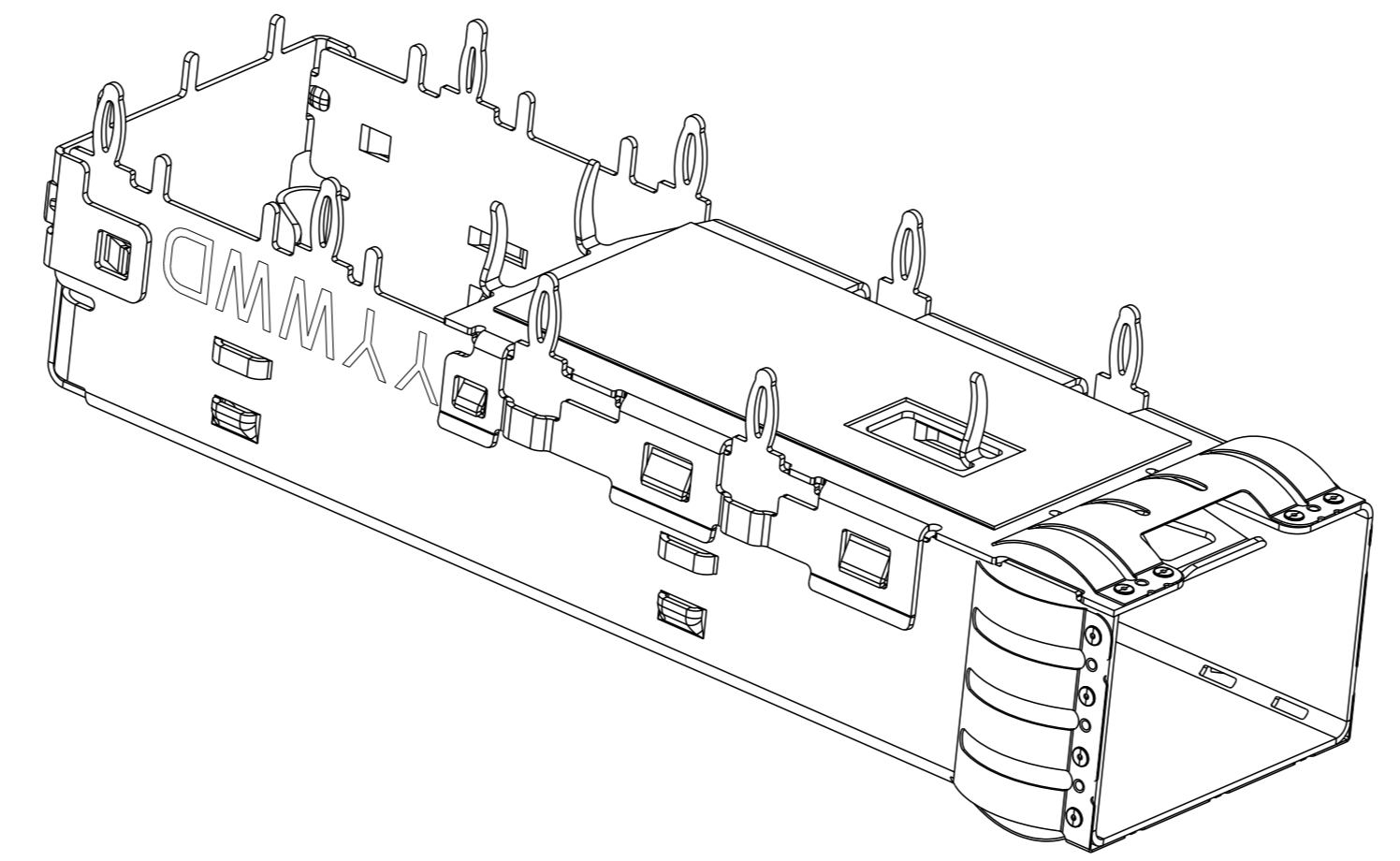
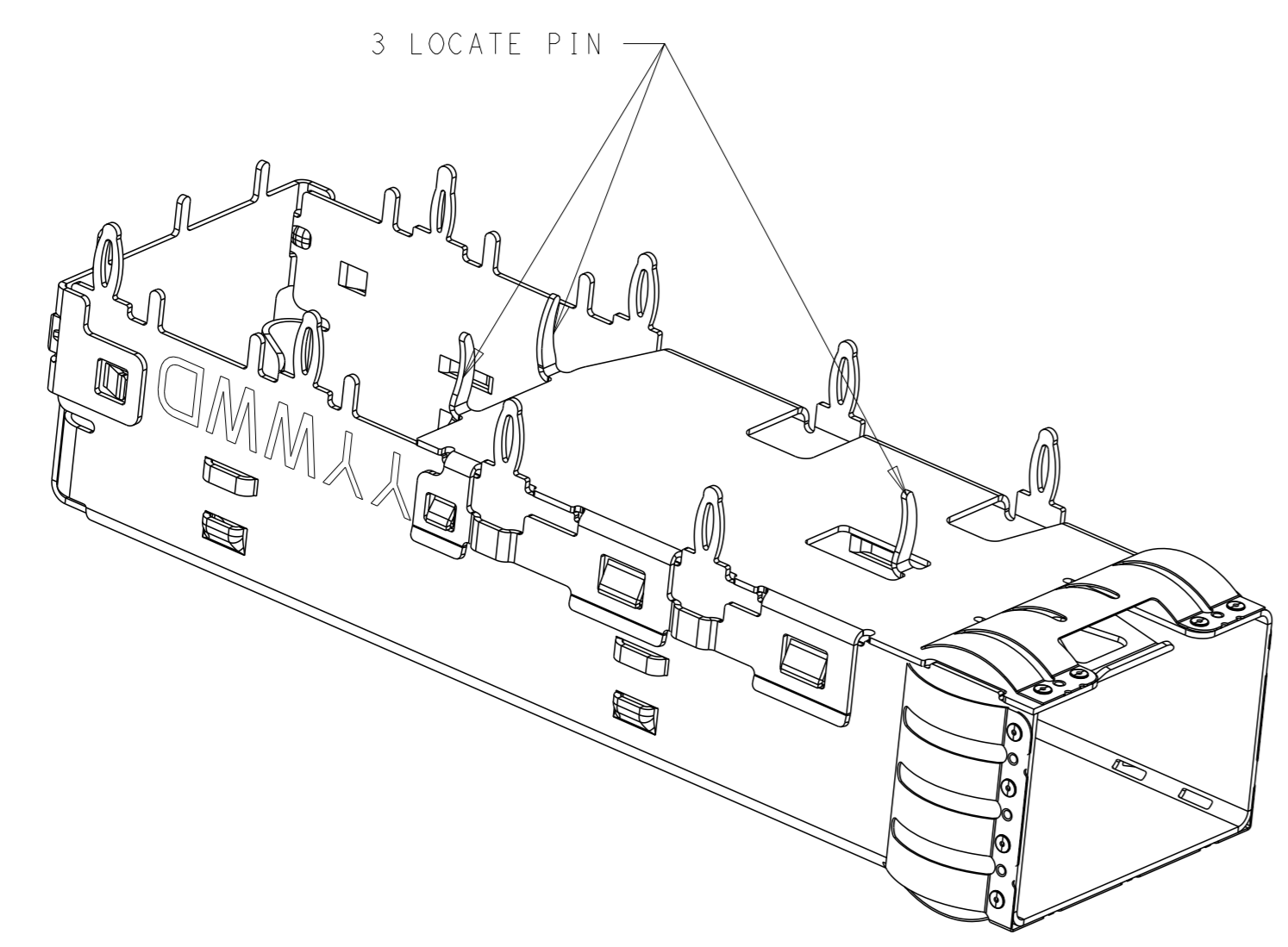
INSULATING TAPE	DESCRIPTION	PART NUMBER
W/O INSULATING TAPE	WITHOUT LOCATE PIN	3-2170680-1
W/O INSULATING TAPE	WITHOUT KICK-OUT SPRING/ EMI HOLES	2-2170680-1
W/O INSULATING TAPE	NO HOLES/NO SPRING	2170680-7
W/O INSULATING TAPE	NO HOLES	2170680-5
W/O INSULATING TAPE	EMI HOLES	2170680-4
W/ INSULATING TAPE	EMI HOLES	2170680-3
W/O INSULATING TAPE	HEATSINK OPENING	2170680-2
W/O INSULATING TAPE	EMI HOLES	2170680-1



THIS DRAWING IS A CONTROLLED DOCUMENT.

DIMENSIONS:	TOLERANCES UNLESS OTHERWISE SPECIFIED:	OWN: CHARLES WAN 24DEC2014	CHK: SEAN HAN 24DEC2014	APVD: SEAN HAN 24DEC2014	NAME: SFP+ 1X1 CAGE ASSEMBLY, PRESS-FIT PRESS-FIT, EMI SPRINGS
1.0	0 PLC ±0.1	STE		TE Connectivity	
	1 PLC ±.1	A1		00779C=2170680	
	2 PLC ±.1	CUSTOMER DRAWING		SCALE 6:1 SHEET 1 OF 5 REV A3	
	3 PLC ±.05				
	4 PLC ±.05				
	ANGLES FINISH				

LOC	DIST	REVISIONS					
GP	00	P	LY#	DESCRIPTION	DATE	OWN	APVD
		-		SEE SHEET 1			

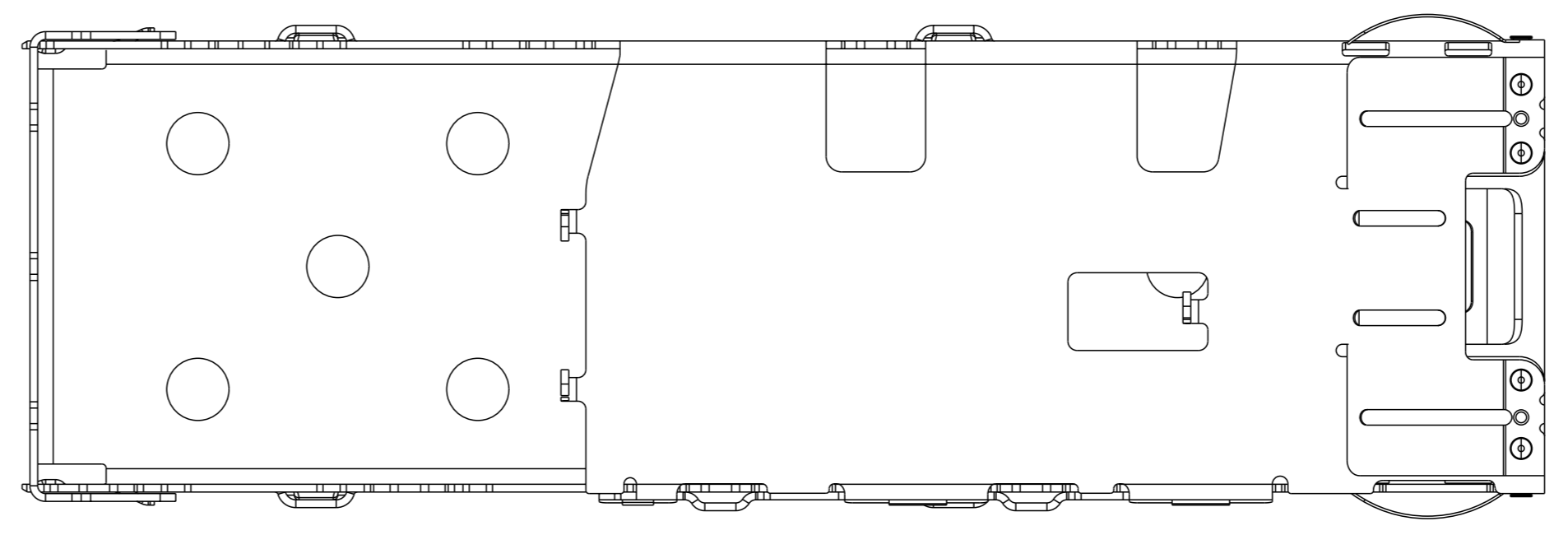
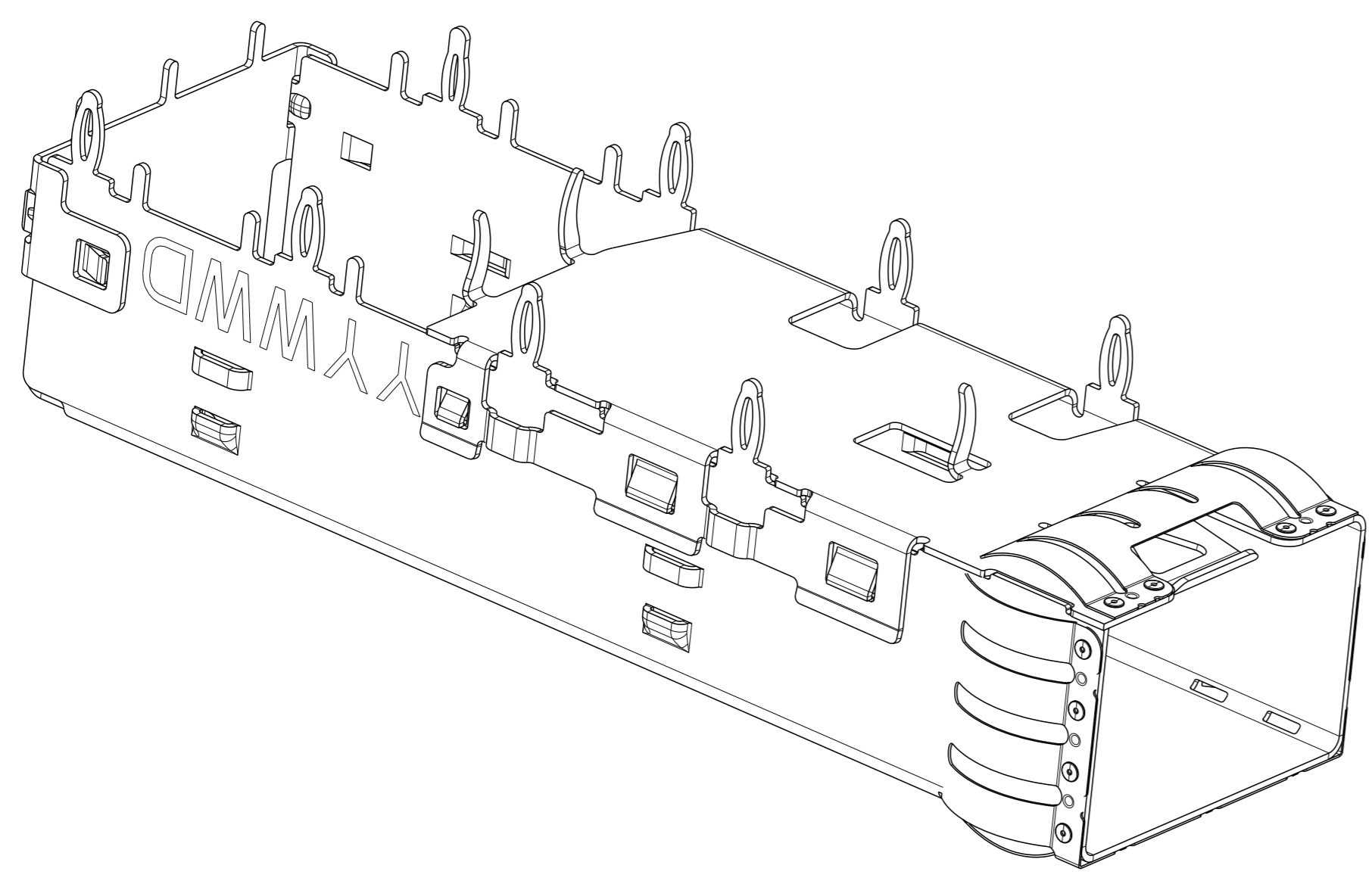


2170680-1, 2170680-4
 SCALE 4:1

2170680-3
 SCALE 4:1

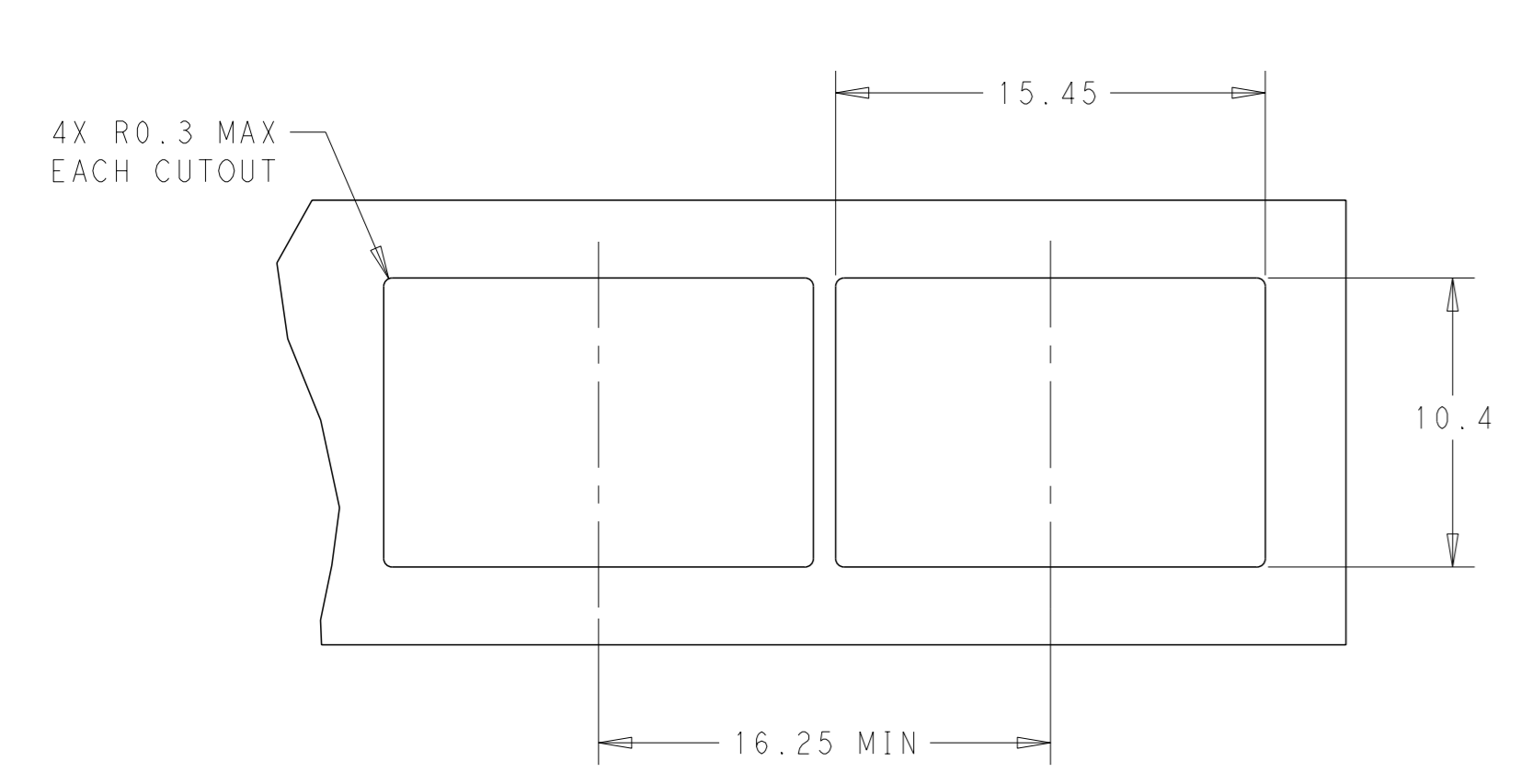
3-2170680-1
 SAME TO 2170680-1
 WITHOUT 3 LOCATE PIN
 SCALE 4:1

2-2170680-1
 SAME TO 2170680-1 EXCEPT KICK-OUT SPRING

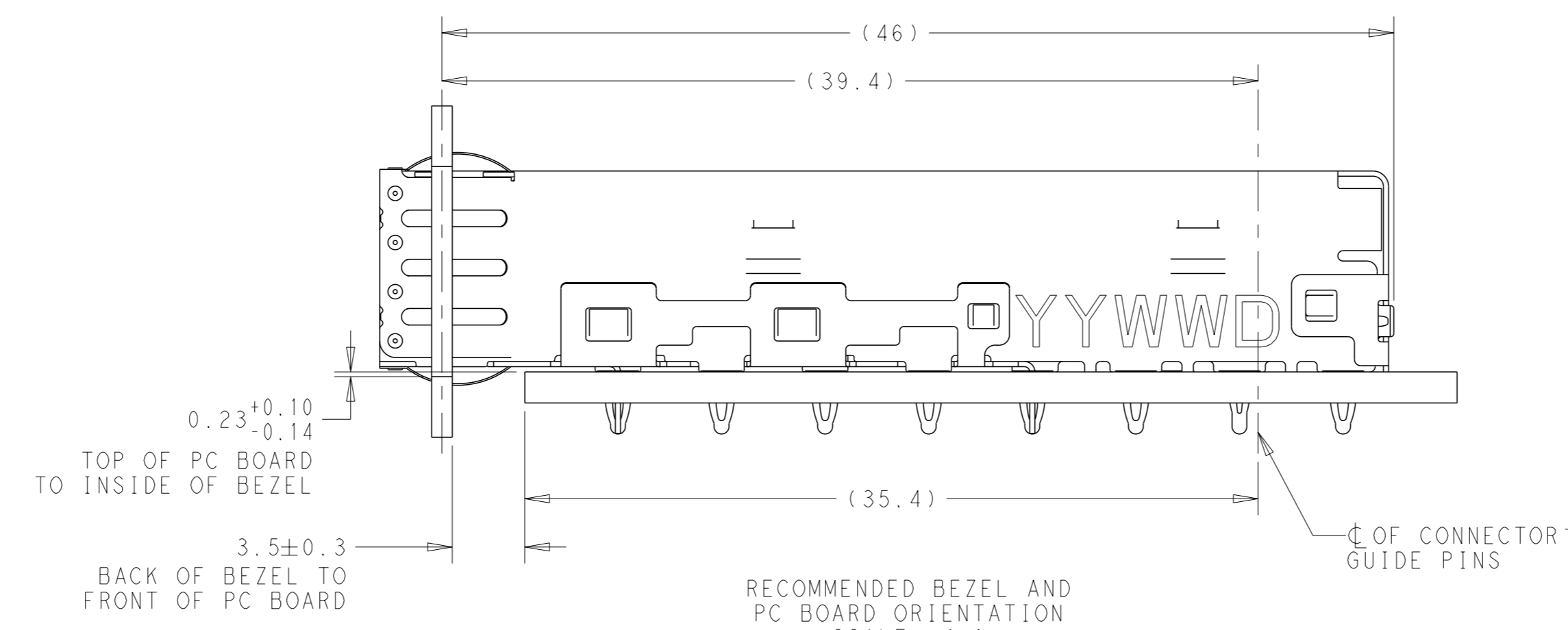


THIS DRAWING IS A CONTROLLED DOCUMENT.		OWN: CHARLES WAN 24DEC2014	TE Connectivity NAME: SFP+ 1X1 CAGE ASSEMBLY, PRESS-FIT PRESS-FIT, EMI SPRINGS
DIMENSIONS:		CHK: SEAN HAN 24DEC2014	
TOLERANCES UNLESS OTHERWISE SPECIFIED:		APVD: SEAN HAN 24DEC2014	
FINISH		PRODUCT SPEC	
1 IN	0 PLC ±0.1	108-2364	SIZE: CAGE CODE DRAWING NO
	2 PLC ±.1	APPLICATION SPEC	RESTRICTED TO
	3 PLC ±.1	114-13120	A100779C=2170680
	4 PLC ±.05	WEIGHT	SCALE 6:1 SHEET 2 OF 5 REV A3
	ANGLES ±.05	CUSTOMER DRAWING	

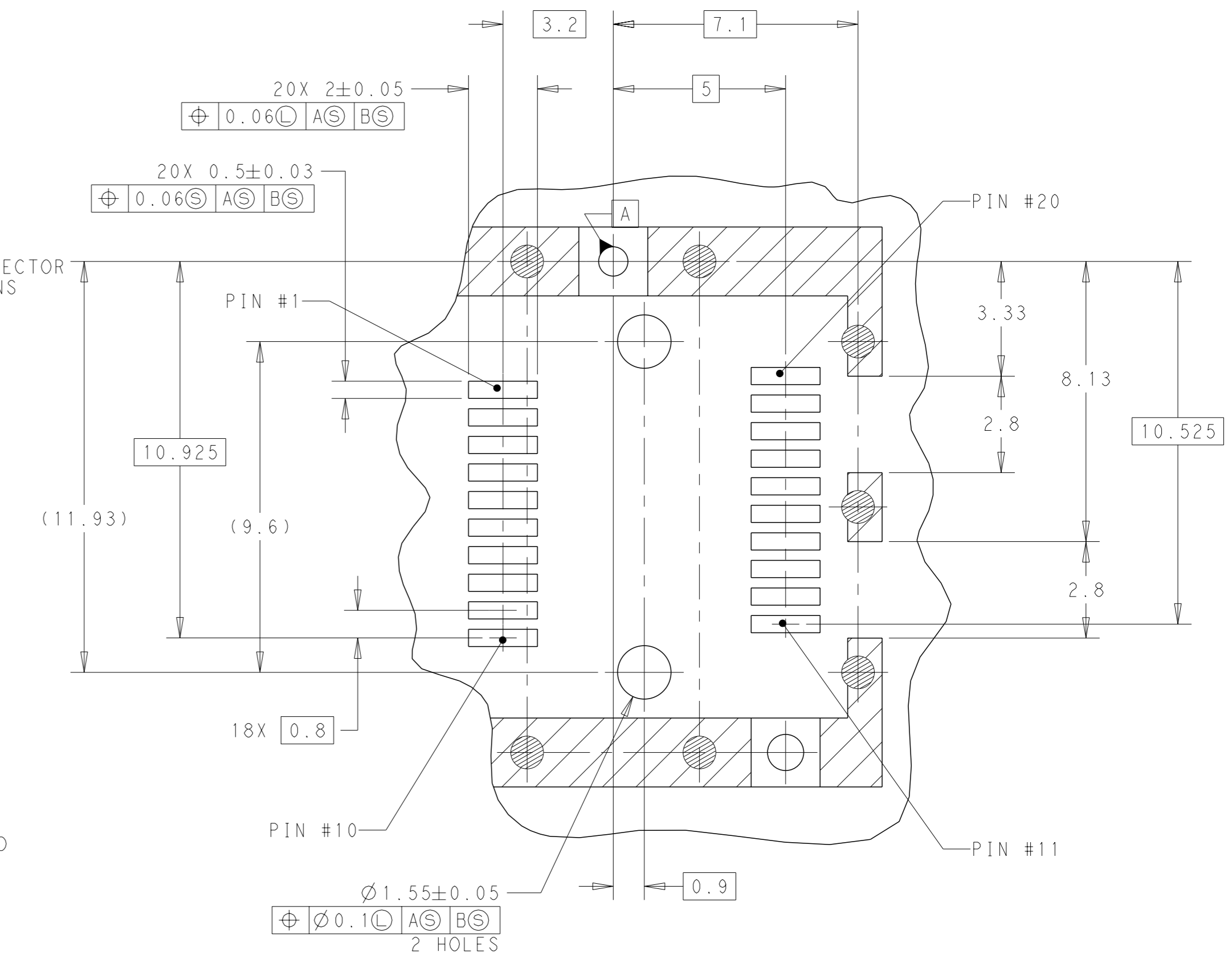
LOC	DIST	REVISIONS				
GP	00	REV	DESCRIPTION	DATE	OWN	APVD
-	-	-	SEE SHEET 1	-	-	-



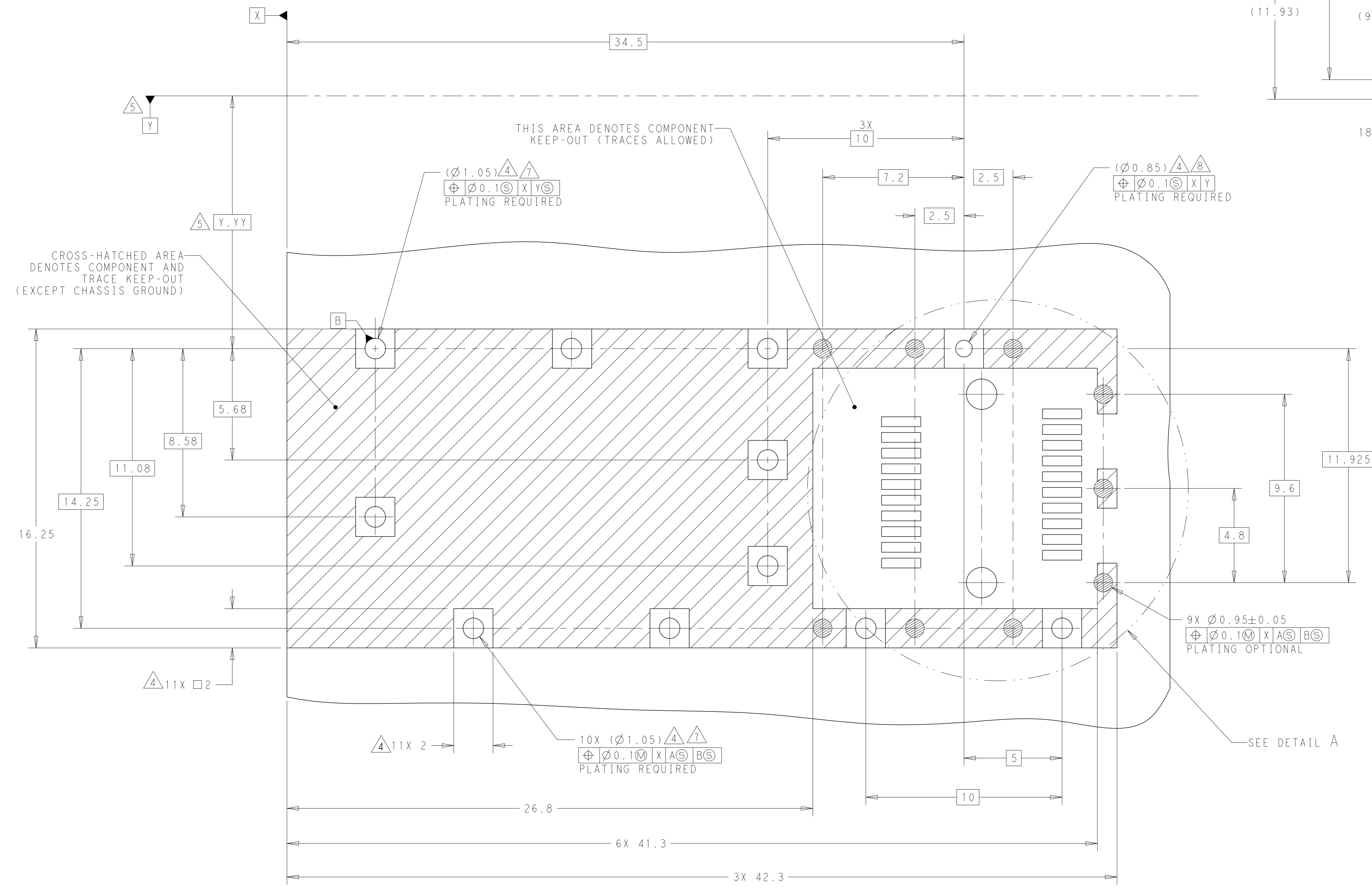
RECOMMENDED BEZEL CUTOUT
SCALE 4:1



RECOMMENDED BEZEL AND
PC BOARD ORIENTATION
SCALE 4:1



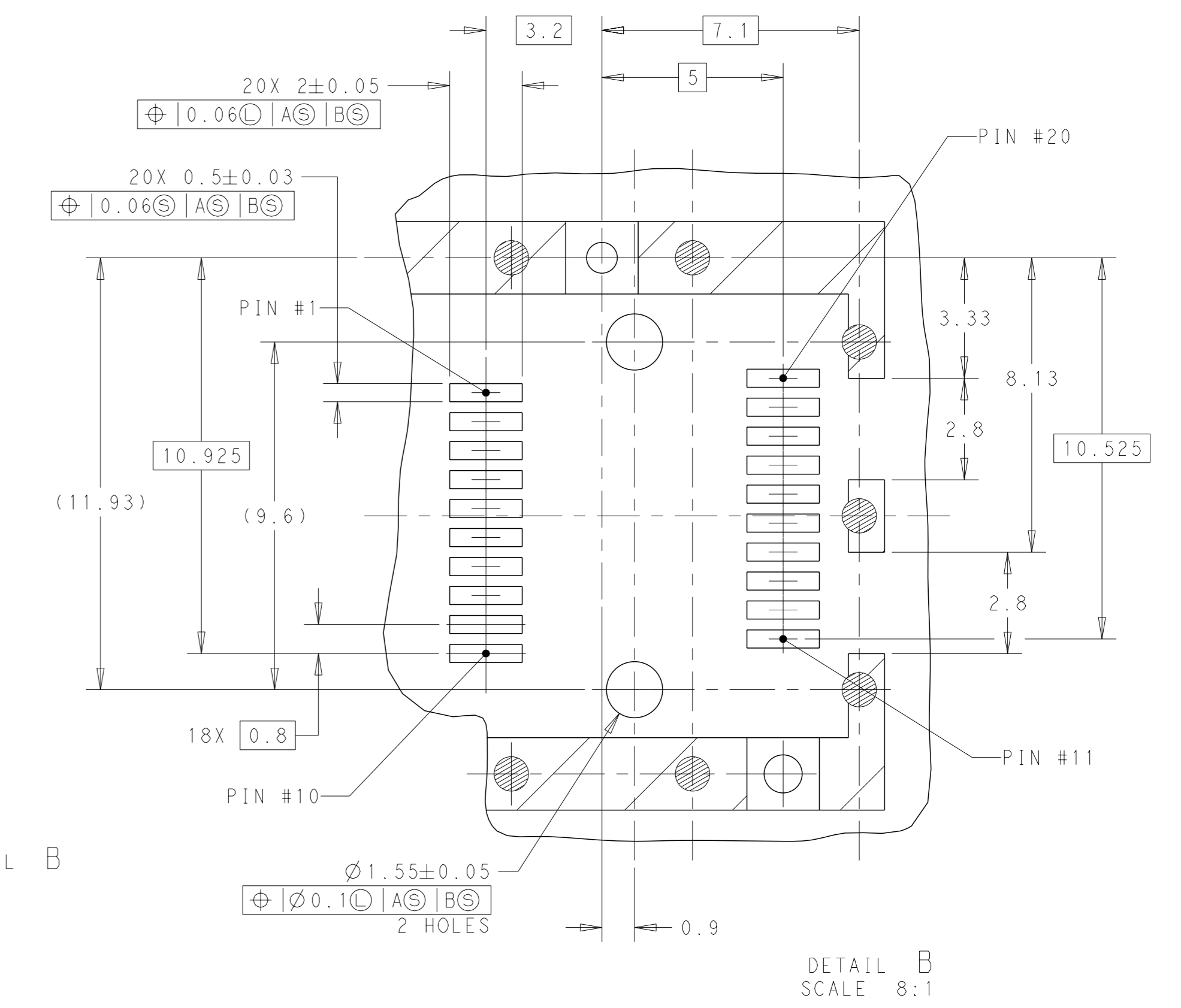
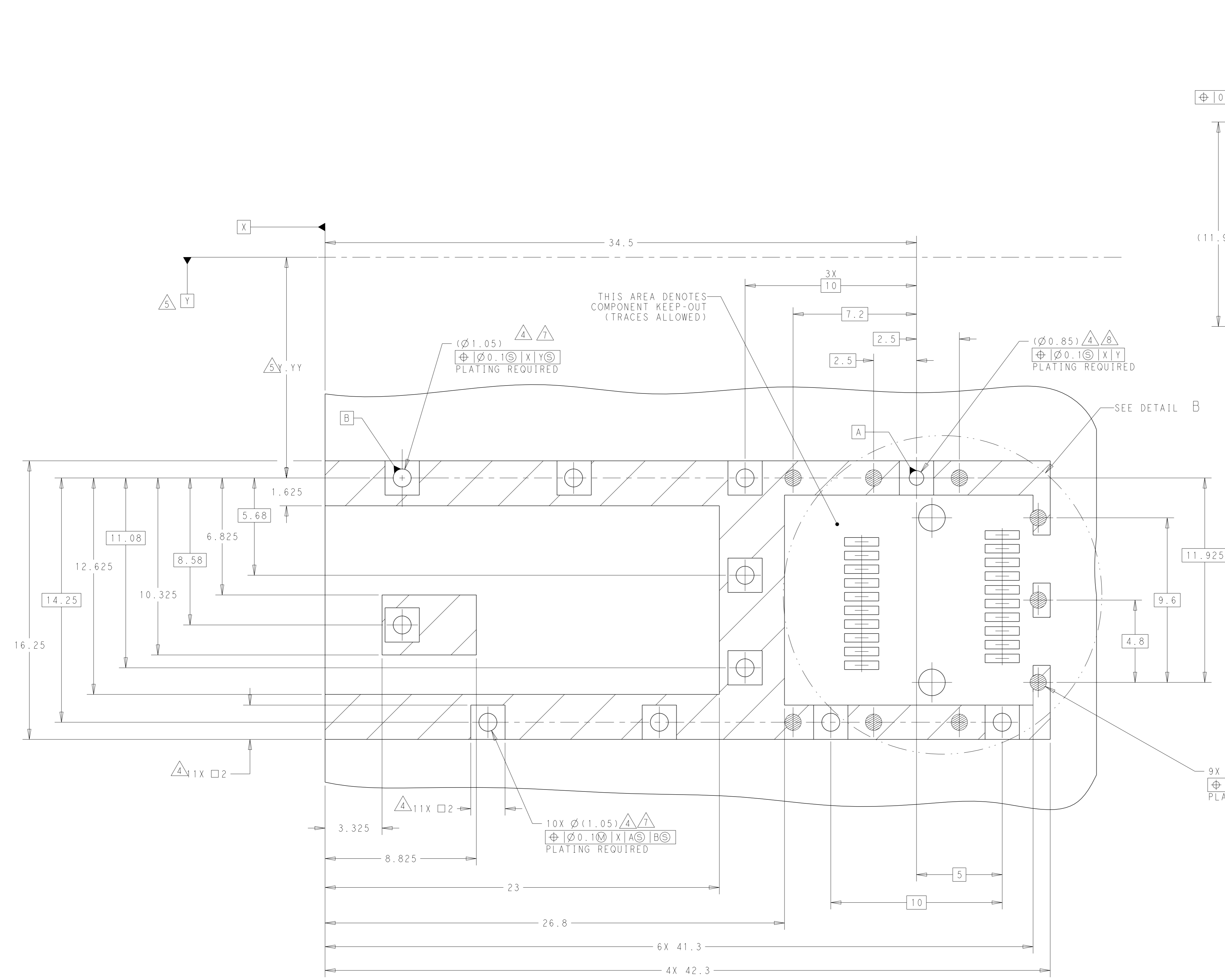
DETAIL A
SCALE 8:1



RECOMMENDED PCB LAYOUT
SCALE 8:1

THIS DRAWING IS A CONTROLLED DOCUMENT.		OWN: CHARLES WAN 24DEC2014	TE Connectivity NAME: SFP+ 1X1 CAGE ASSEMBLY, PRESS-FIT PRESS-FIT, EMI SPRINGS SIZE: A1 CAGE CODE: 108-2364 DRAWING NO: 114-13120 SCALE: 2:1 SHEET: 3 OF 5 REV: A3
DIMENSIONS: IN		CHK: SEAN HAN 24DEC2014	
TOLERANCES UNLESS OTHERWISE SPECIFIED:		APVD: SEAN HAN 24DEC2014	
0 PLC ±0.1 1 PLC ±.1 2 PLC ±.1 3 PLC ±.05 4 PLC ±.05 ANGLES FINISH		PRODUCT SPEC: 108-2364 APPLICATION SPEC: 114-13120 WEIGHT: - CUSTOMER DRAWING	

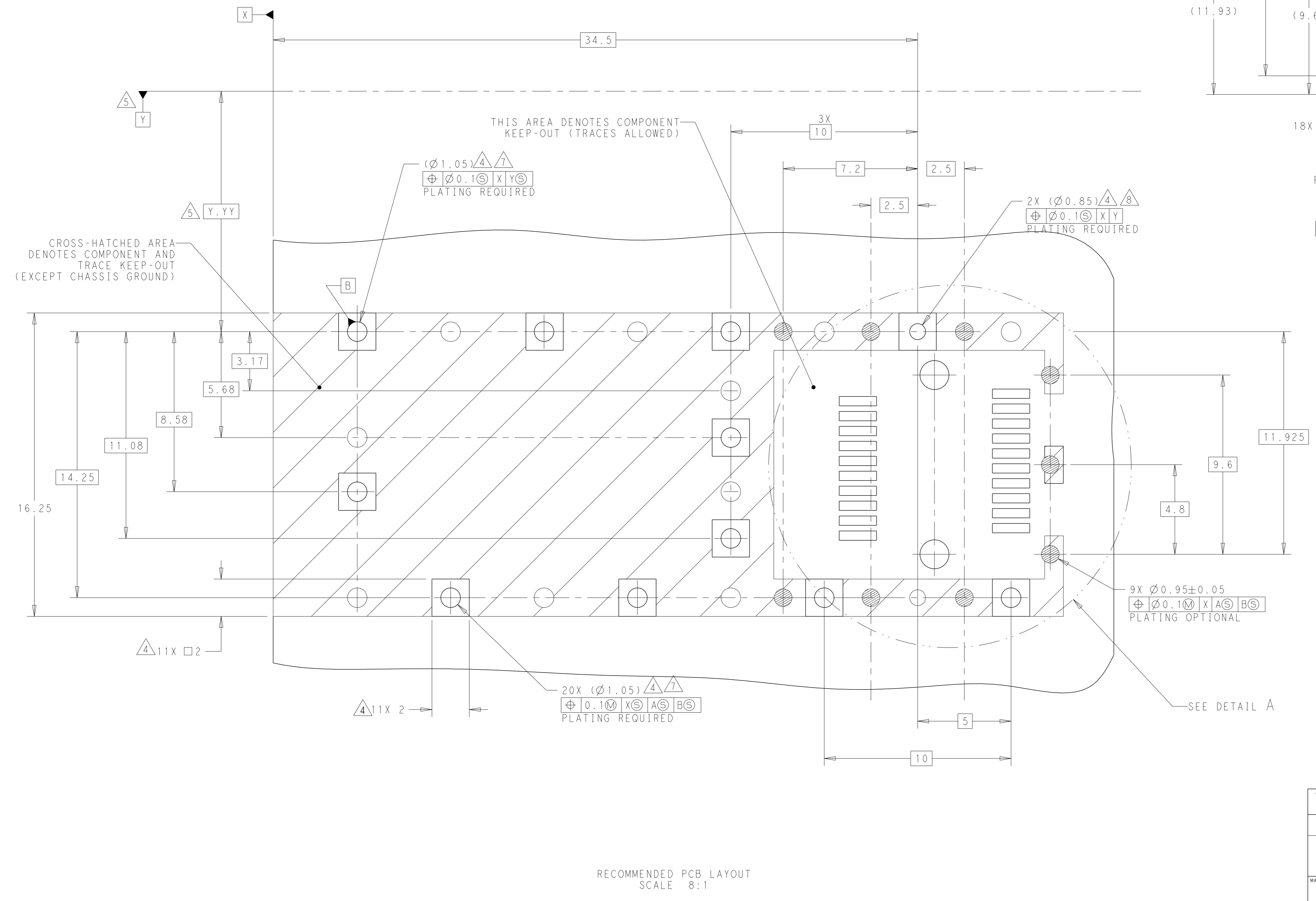
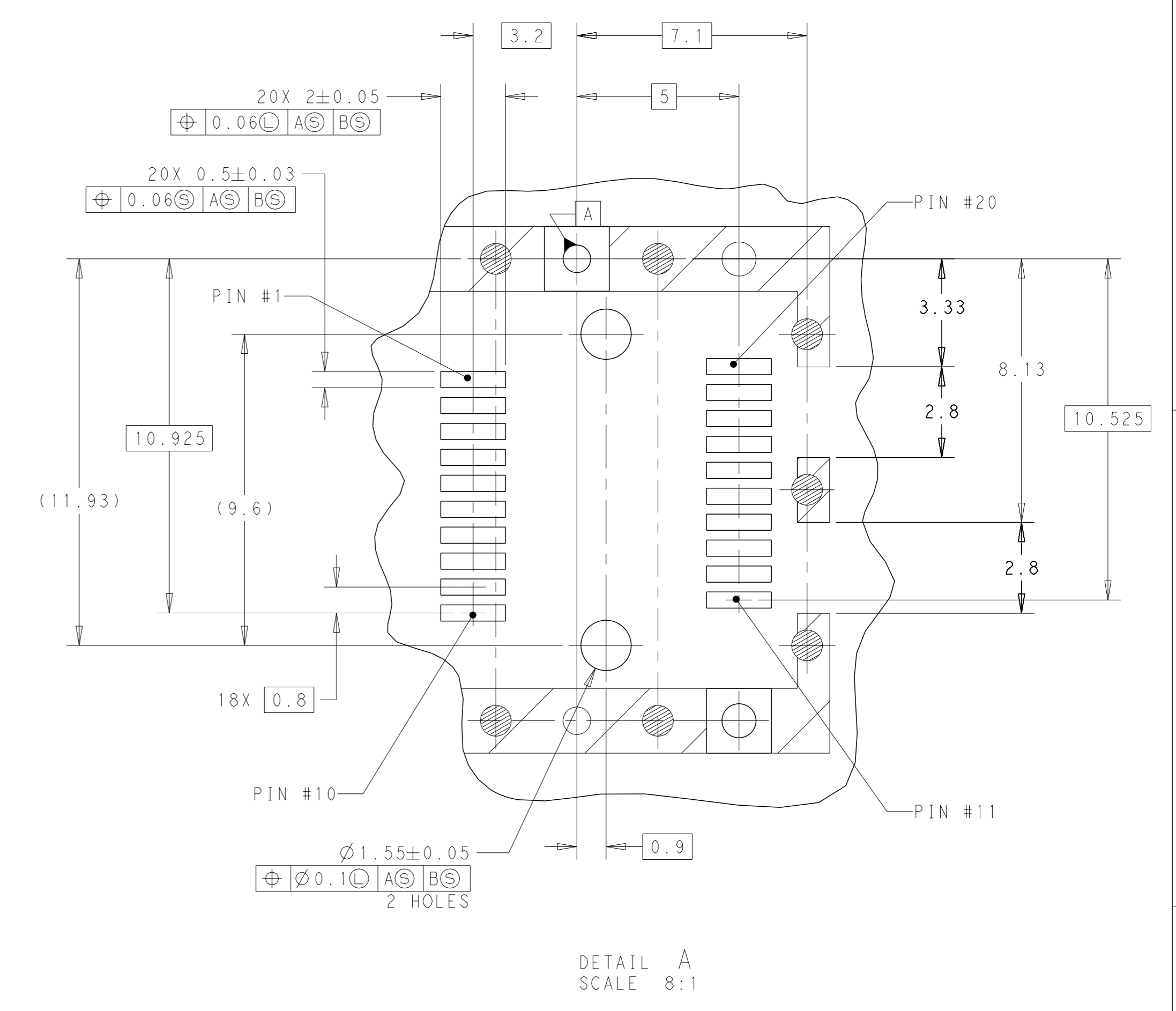
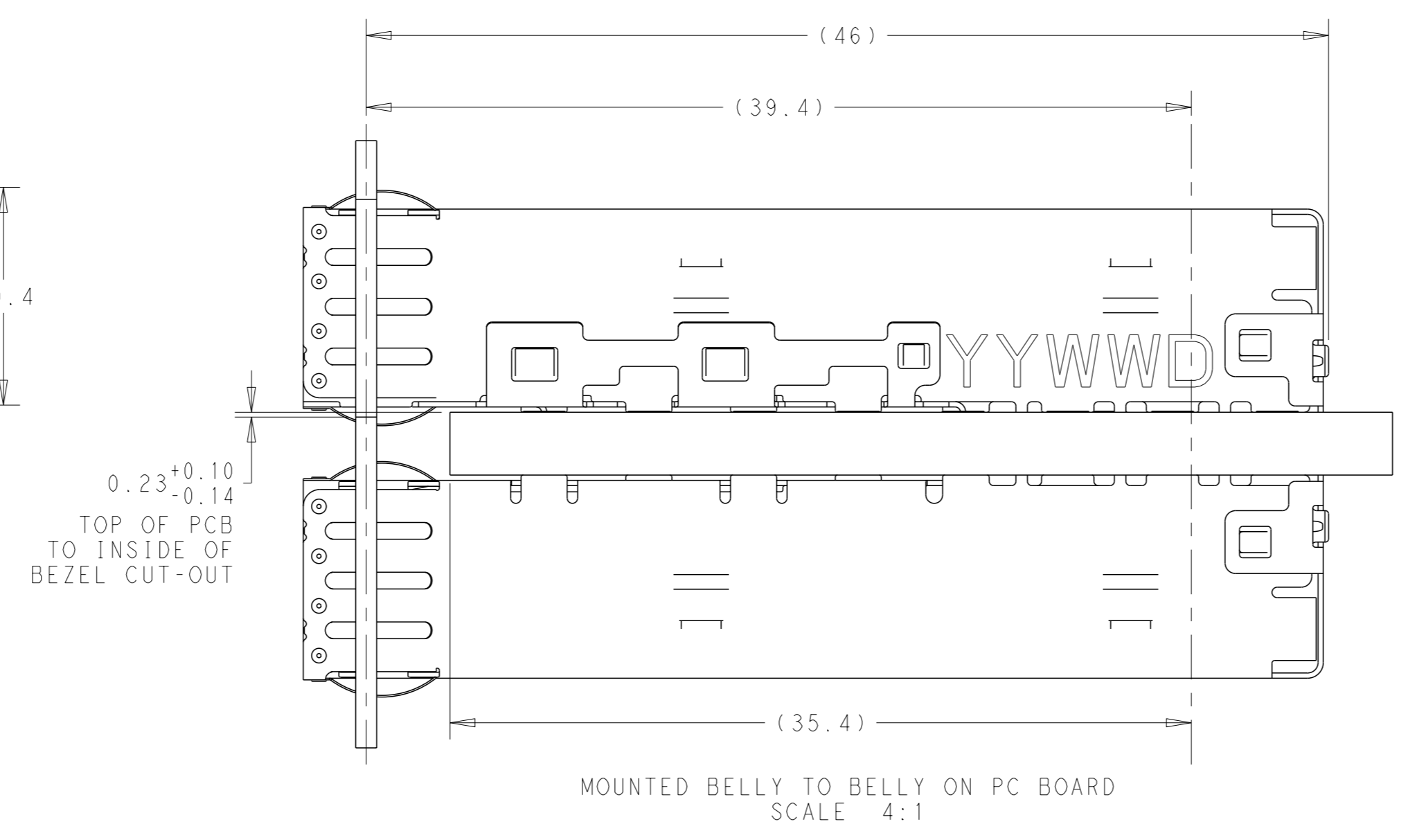
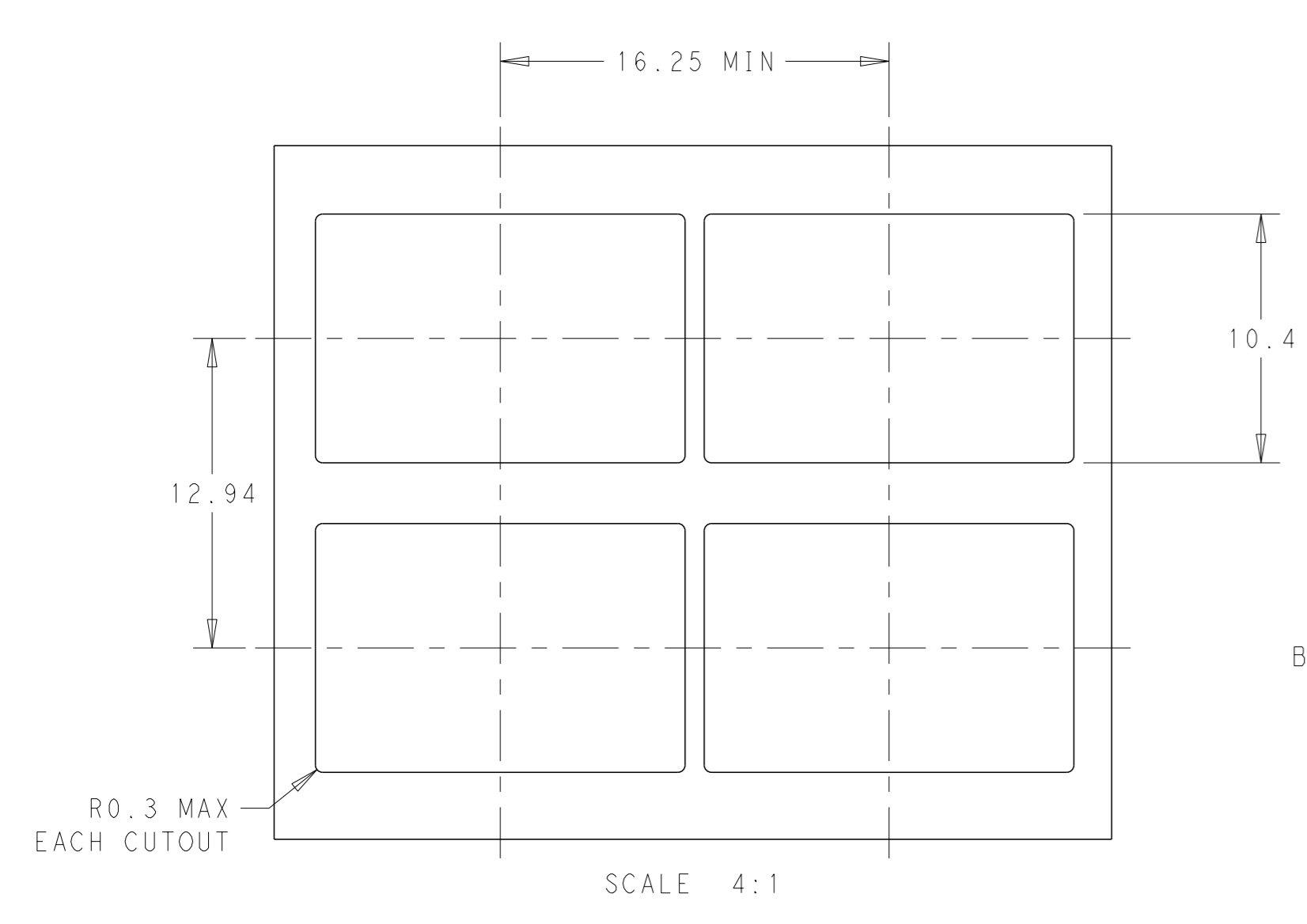
LOC	DIST	REVISIONS			
GP	00	REV	DATE	OWN	APVD
		-	SEE SHEET 1	-	-



RECOMMENDED PCB LAYOUT FOR WITH INSULATING TAPE PART
 SCALE 8:1

THIS DRAWING IS A CONTROLLED DOCUMENT.		OWN: CHARLES WAN 24DEC2014	TE Connectivity
DIMENSIONS: IN		CHK: SEAN HAN 24DEC2014	
TOLERANCES UNLESS OTHERWISE SPECIFIED:		APVD: SEAN HAN 24DEC2014	NAME: SFP+ 1X1 CAGE ASSEMBLY, PRESS-FIT PRESS-FIT, EMI SPRINGS
0 PLC ±0.1	1 PLC ±.1	PRODUCT SPEC	SIZE: 108-2364
2 PLC ±.1	3 PLC ±.05	APPLICATION SPEC	RESTRICTED TO
4 PLC ±.05	ANGLES ±.5	114-13120	SCALE: 2:1
MATERIAL FINISH	WEIGHT	114-13120	SHEET 4 OF 5
CUSTOMER DRAWING		A100779C=2170680	REV: A3

LOC	DIST	REVISIONS				
GP	00	REV	DESCRIPTION	DATE	OWN	APVD
		-	SEE SHEET 1	-	-	-



THIS DRAWING IS A CONTROLLED DOCUMENT.		OWN: CHARLES WAN 24DEC2014	TE Connectivity NAME: SFP+ 1X1 CAGE ASSEMBLY, PRESS-FIT PRESS-FIT, EMI SPRINGS PRODUCT SPEC: 108-2364 APPLICATION SPEC: 114-13120 WEIGHT: - CUSTOMER DRAWING
DIMENSIONS: IN		CHK: SEAN HAN 24DEC2014	
TOLERANCES UNLESS OTHERWISE SPECIFIED:		APVD: SEAN HAN 24DEC2014	SIZE: A1
0 PLC ±0.1	1 PLC ±.1	2 PLC ±.1	CAGE CODE: 2170680
3 PLC ±.05	4 PLC ±.05	ANGLES ±.05	DRAWING NO: 2170680
MATERIAL FINISH		SCALE: 1:1	SHEET 5 OF 5
		REV: A3	

单击下面可查看定价，库存，交付和生命周期等信息

[>>TE Connectivity\(泰科\)](#)