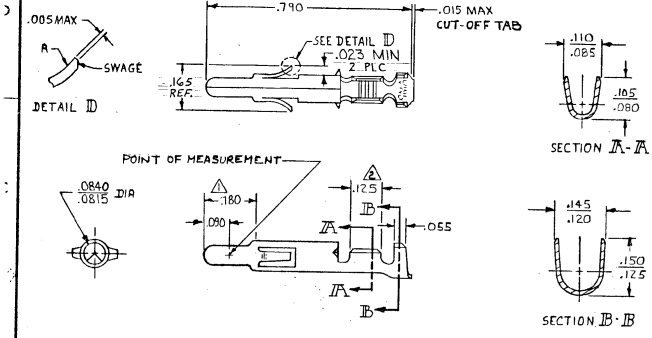


© COPYRIGHT		3		2		1	Loc CM	DIST 53
REVISIONS								
#	P	ZONE	LTR	DESCRIPTION	DATE	APPROVED		
			P	REVISED PER ECR-12-013323	10AUG12	TM		



- ⚠ PLATED WITH .000030 GOLD, OVER .000050 NICKEL UNDERPLATE.
- ⚠ PLATED INTERNALLY WITH .000030 GOLD
- ⚠ INSULATION RANGE: .040-100 DIA.

GOLD	.01Z BRASS	350690-7
PRE-TIN	.01Z PH. BRZ.	350690-3
GOLD	.01Z BRASS	350690-2
PRE-TIN	.01Z BRASS	350690-1
FINISH	MATERIAL	PART NO

UNLESS OTHERWISE SPECIFIED DIMENSIONS ARE IN INCHES. DECIMALS ONLY. ANGLES 1/2, 1/4, 3/8, 1/2, 3/4, 1, 1 1/4, 1 1/2, 2, 3, 4, 6, 8, 10, 15, 30, 45, 60, 90, 120, 150, 180.	CONTRACT NO.	STE TE Connectivity	
	DIR	M. FEHER 5-6-81	
WIRE RANGE	CHK	S. S. 4/9/02	
	APPR	R. B. L. 5-10-8	
INSULATION RANGE	NAME	PIN, (LOOSE PIECE)	
	OTHER APPD	UNIVERSAL MATE-N-LOK	
	SIZE	CODE IDENT NO	DRAWING NO
	B	00779	350690
	SCALE 4-1	SHEET	

CUSTOMER DRAWING

单击下面可查看定价，库存，交付和生命周期等信息

[>>TE Connectivity\(泰科\)](#)