

# CRYSTAL UNIT

## YSX221SL Small Size

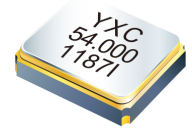


### Applications

- SmartWearable IOT Communication.

### Features

- Dimensions: 2.55 x 2.05 x 0.55 mm.
- Standard Frequency: 12~54MHz
- High precision and high frequency stability.
- Excellent heat resistance and environmental characteristics.



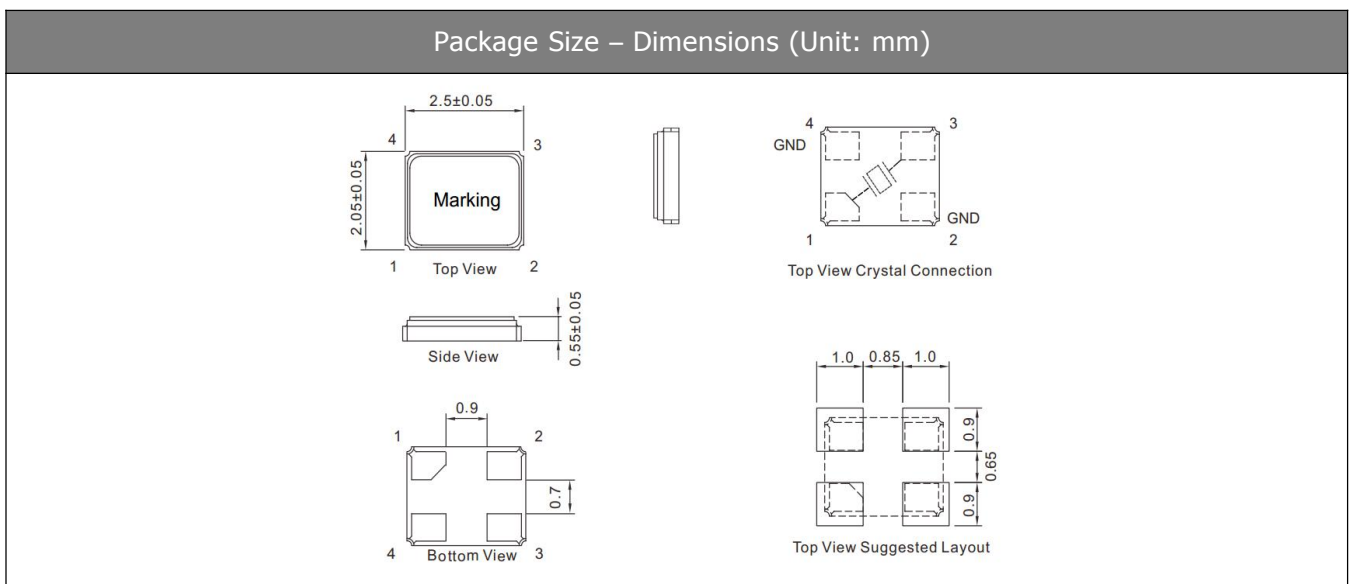
## Specifications

Standard Frequency	12~54 MHz
Vibration Mode	AT Fundamental
Load Capacitance	8pF, 10pF, 20pF, or specify
Frequency Tolerance (at 25 °C)	±10ppm, ±20ppm, or specify
Frequency Versus Temperature Characteristics	±20ppm, or specify
Operating Temperature	-20~+70°C, -40~+85°C, or specify
Storage Temperature	-40~+85°C or specify
Shunt Capacitance	3 pF Max.
Level of Drive	1~200µW Max. (100uW typical)
Aging (at 25 °C)	±3ppm/year Max.

## Equivalent Series Resistance(ESR)

Fundamental	
12 ~ 14 MHz	150 Ω Max.
14 ~ 30 MHz	100 Ω Max.
30 ~ 48 MHz	60 Ω Max.
48 ~ 54 MHz	50 Ω Max.

## Dimensions and Patterns [unit:mm]



# CRYSTAL UNIT

## YSX221SL Small Size



### Reflow Soldering Profile

Pre Heating Temperature

Tp1 ~ Tp2 = + 170 °C

Heating Temperature

TMit = + 220 °C

Peek Temperature

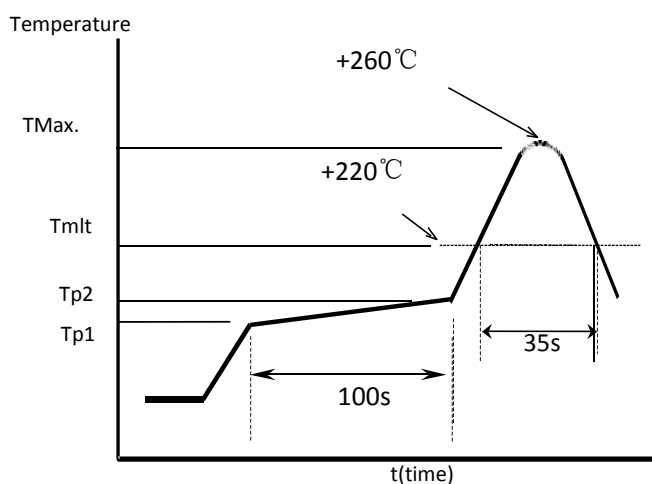
TMax. = + 260 °C

Point of measuring

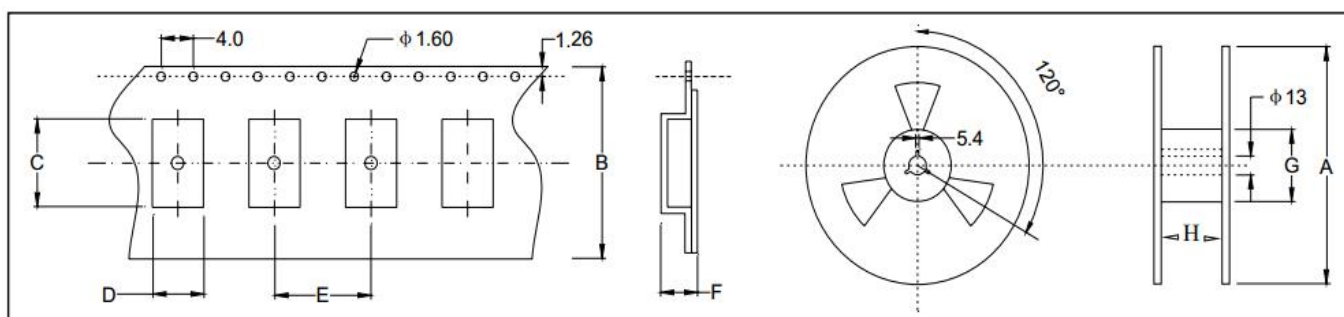
In case of Solder ability

Terminal.

In case of Resistance to soldering heat  
Surface.



### Taping Specification(Unit: mm)



Size	A	B	C	D	E	F	G	H
SMD-2520	180±2.0	8.0±0.3	2.70±0.1	2.25±0.1	4.0±0.1	1.05±0.1	61.0±1.0	8.0±1.0

3000 pcs per reel

单击下面可查看定价，库存，交付和生命周期等信息

[>>YXC\(扬兴\)](#)