



MMBT4403

Features

- Operating and Storage Junction Temperatures: -55°C to 150°C
- Capable of 350mWatts of Power Dissipation
- Surface Mount SOT-23 Package
- $I_C = -600\text{mA}$
- Lead Free Finish/RoHS Compliant ("P" Suffix designates RoHS Compliant. See ordering information)
- Epoxy meets UL 94 V-0 flammability rating
- Moisture Sensitivity Level 1
- Marking: 2T/M3A
- Halogen free available upon request by adding suffix "-HF"

PNP General Purpose Amplifier

Electrical Characteristics @ 25°C Unless Otherwise Specified

Symbol	Parameter	Min	Max	Units
OFF CHARACTERISTICS				
$V_{(BR)CEO}$	Collector-Emitter Breakdown Voltage ^(NOTE 1) ($I_C = 1.0\text{mA}$, $I_B = 0$)	40		Vdc
$V_{(BR)CBO}$	Collector-Base Breakdown Voltage ($I_C = 100\mu\text{A}$, $I_E = 0$)	40		Vdc
$V_{(BR)EBO}$	Emitter-Base Breakdown Voltage ($I_E = 100\mu\text{A}$, $I_C = 0$)	5.0		Vdc
I_{BL}	Base Cutoff Current ($V_{CE} = 30\text{Vdc}$, $V_{BE} = 3.0\text{Vdc}$)		0.1	μA
I_{CEX}	Collector Cutoff Current ($V_{CE} = 30\text{Vdc}$, $V_{BE} = 3.0\text{Vdc}$)		0.1	μA

ON CHARACTERISTICS

β_{FE}	DC Current Gain ^(NOTE 1) ($I_C = 0.1\text{mA}$, $V_{CE} = 1.0\text{Vdc}$)	30		
	($I_C = 1.0\text{mA}$, $V_{CE} = 1.0\text{Vdc}$)	60		
	($I_C = 10\text{mA}$, $V_{CE} = 1.0\text{Vdc}$)	100		
	($I_C = 150\text{mA}$, $V_{CE} = 2.0\text{Vdc}$)	100	300	
	($I_C = 500\text{mA}$, $V_{CE} = 2.0\text{Vdc}$)	20		
$V_{CE(sat)}$	Collector-Emitter Saturation Voltage ($I_C = 150\text{mA}$, $I_B = 15\text{mA}$) ($I_C = 500\text{mA}$, $I_B = 50\text{mA}$)		0.4 0.75	Vdc
$V_{BE(sat)}$	Base-Emitter Saturation Voltage ($I_C = 150\text{mA}$, $I_B = 15\text{mA}$) ($I_C = 500\text{mA}$, $I_B = 50\text{mA}$)	0.75	0.95 1.30	Vdc

SMALL-SIGNAL CHARACTERISTICS

f_T	Current Gain-Bandwidth Product ($I_C = 20\text{mA}$, $V_{CE} = 10\text{Vdc}$, $f = 100\text{MHz}$)	200		MHz
C_{cb}	Output Capacitance ($V_{CB} = 10\text{Vdc}$, $I_E = 0$, $f = 1.0\text{MHz}$)		8.5	pF
C_{eb}	Input Capacitance ($V_{EB} = 0.5\text{Vdc}$, $I_C = 0$, $f = 1.0\text{MHz}$)		30.0	pF

SWITCHING CHARACTERISTICS

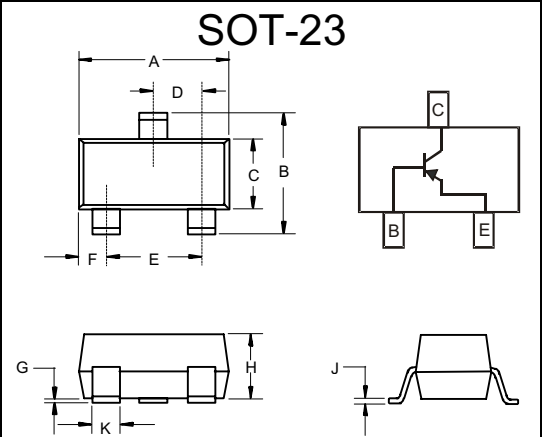
t_d	Delay Time	($V_{CC} = 3.0\text{Vdc}$, $V_{BE} = 2.0\text{Vdc}$)	15	ns
t_r	Rise Time	($I_C = 150\text{mA}$, $I_{B1} = 15\text{mA}$)	20	ns
t_s	Storage Time	($V_{CC} = 3.0\text{Vdc}$, $I_C = 150\text{mA}$)	225	ns
t_f	Fall Time	($I_{B1} = I_{B2} = 15\text{mA}$)	30	ns

THERMAL CHARACTERISTICS

R_{thJA}	Thermal Resistance, Junction to Ambient ^(NOTE 2)	357	°C/W
------------	---	-----	------

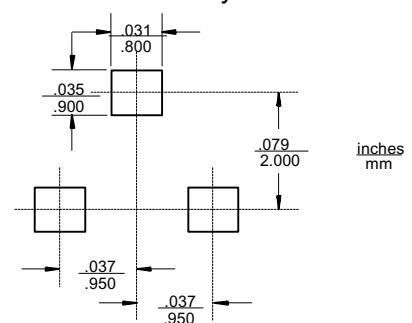
NOTE: 1. Pulse Width $\leq 300\mu\text{s}$, Duty Cycle $\leq 2.0\%$

2. For the device mounted on 15mm x 15mm x 1.6mm FR4 PCB with high coverage of single sided 1oz copper, in still air conditions.



DIM	INCHES		MM		NOTE
	MIN	MAX	MIN	MAX	
A	.110	.120	2.80	3.04	
B	.083	.104	2.10	2.64	
C	.047	.055	1.20	1.40	
D	.035	.041	.89	1.03	
E	.070	.081	1.78	2.05	
F	.018	.024	.45	.60	
G	.0005	.0039	.013	.100	
H	.035	.044	.89	1.12	
J	.003	.007	.085	.180	
K	.015	.020	.37	.51	

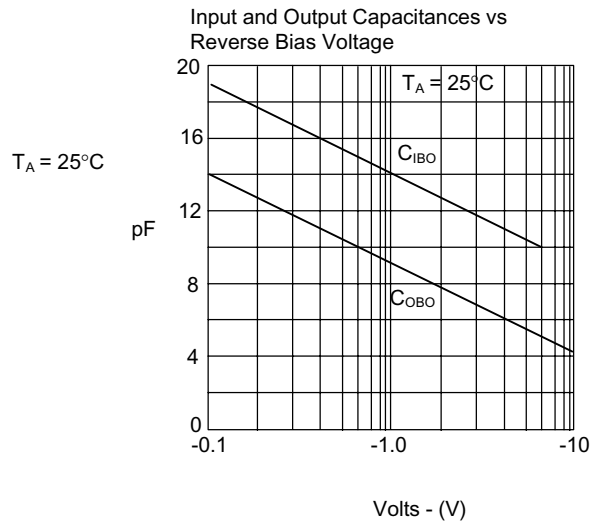
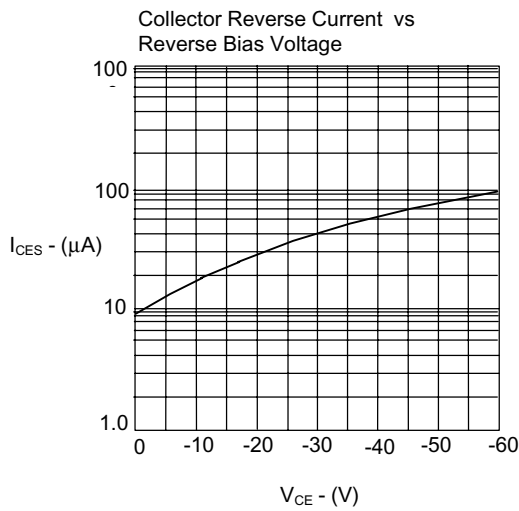
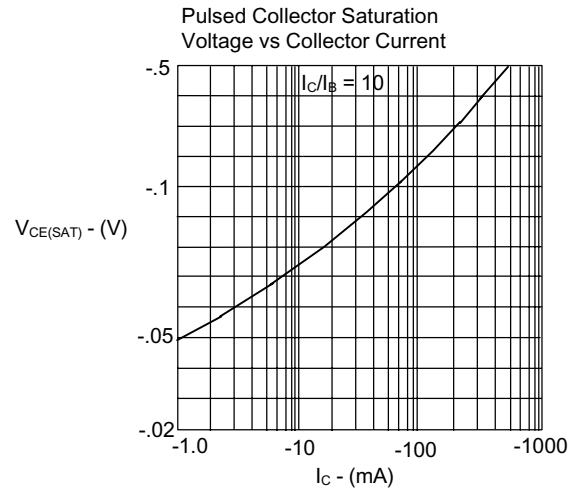
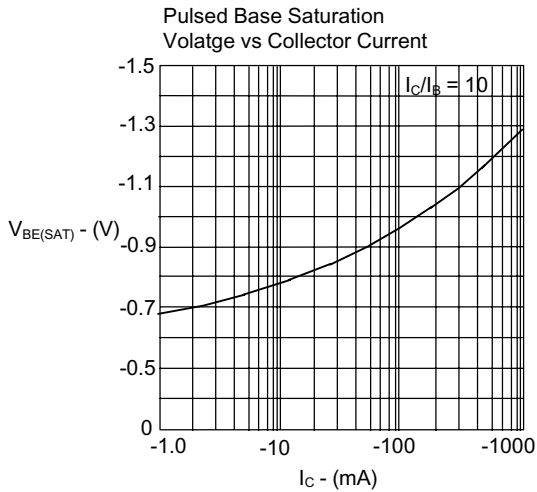
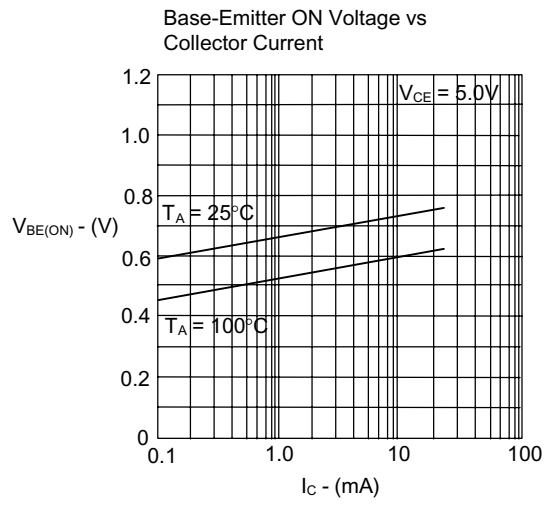
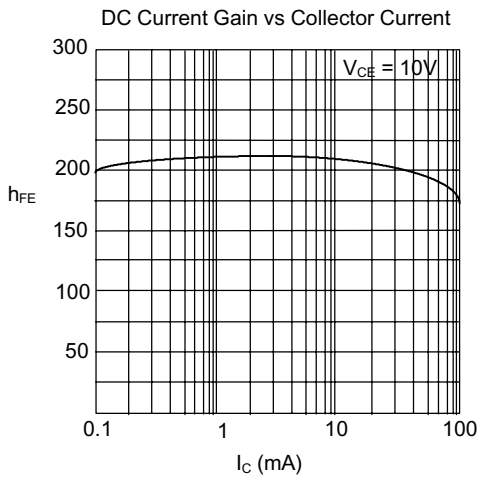
Suggested Solder Pad Layout



MMBT4403



Micro Commercial Components

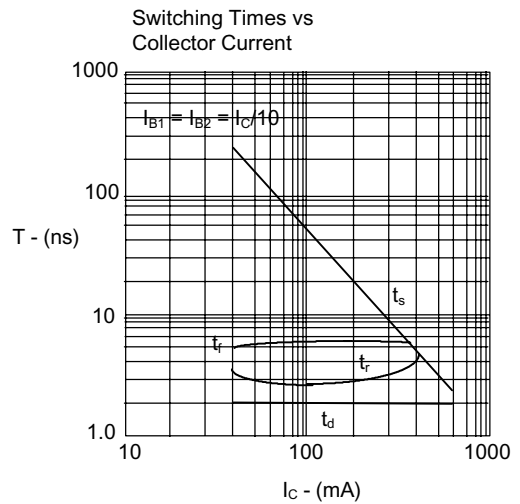
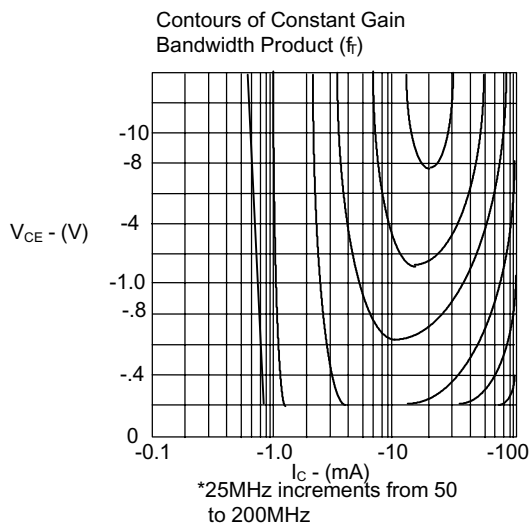
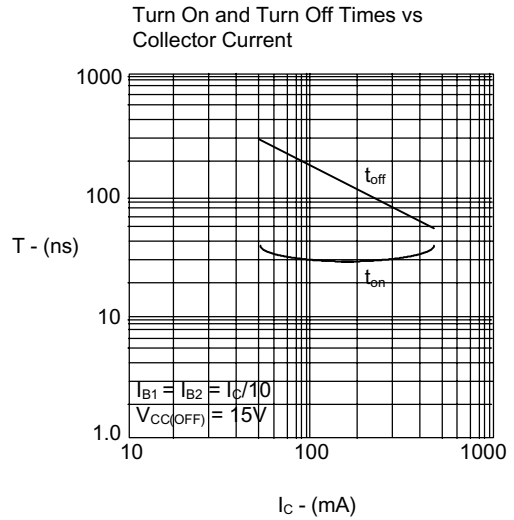
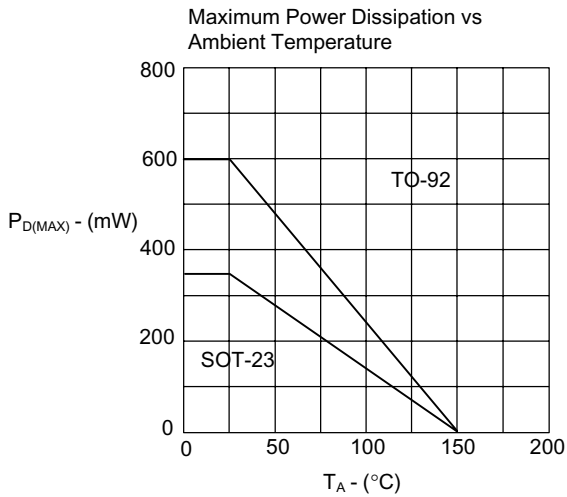


www.mccsemi.com

MMBT4403



Micro Commercial Components





Micro Commercial Components

Ordering Information :

Device	Packing
Part Number-TP	Tape&Reel; 3Kpcs/Reel

Note : Adding "-HF" suffix for halogen free, eg. Part Number-TP-HF

*****IMPORTANT NOTICE*****

Micro Commercial Components Corp. reserves the right to make changes without further notice to any product herein to make corrections, modifications, enhancements, improvements, or other changes. **Micro Commercial Components Corp.** does not assume any liability arising out of the application or use of any product described herein; neither does it convey any license under its patent rights, nor the rights of others. The user of products in such applications shall assume all risks of such use and will agree to hold **Micro Commercial Components Corp.** and all the companies whose products are represented on our website, harmless against all damages.

*****LIFE SUPPORT*****

MCC's products are not authorized for use as critical components in life support devices or systems without the express written approval of Micro Commercial Components Corporation.

*****CUSTOMER AWARENESS*****

Counterfeiting of semiconductor parts is a growing problem in the industry. Micro Commercial Components (MCC) is taking strong measures to protect ourselves and our customers from the proliferation of counterfeit parts. MCC strongly encourages customers to purchase MCC parts either directly from MCC or from Authorized MCC Distributors who are listed by country on our web page cited below. Products customers buy either from MCC directly or from Authorized MCC Distributors are genuine parts, have full traceability, meet MCC's quality standards for handling and storage. **MCC will not provide any warranty coverage or other assistance for parts bought from Unauthorized Sources.** MCC is committed to combat this global problem and encourage our customers to do their part in stopping this practice by buying direct or from authorized distributors.

www.mccsemi.com

单击下面可查看定价，库存，交付和生命周期等信息

[>>MCC](#)