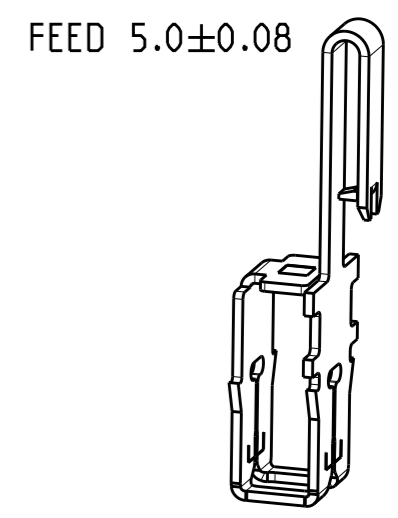
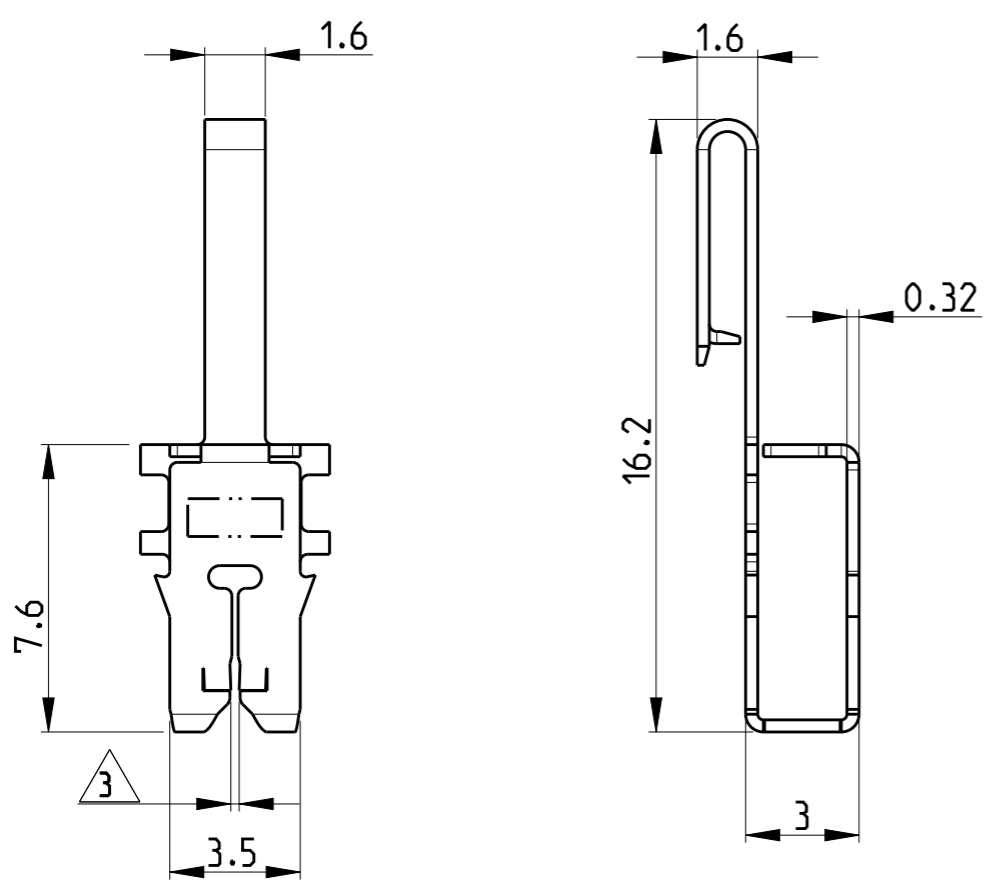


THIS DRAWING IS UNPUBLISHED
 VERTRAULICHE UNVERÖFFENTLICHTE ZEICHNUNG
 © COPYRIGHT 2000 BY -
 RELEASED FOR PUBLICATION
 FREI FUER VERÖFFENTLICHUNG
 2000 - -
 ALL RIGHTS RESERVED.
 ALLE RECHTE VORBEHALTEN

| LOC | DIST | REVISIONS ÄNDERUNGEN | | | | | |
|--------------|------|-------------------------|-----|---------------------------------------|-----------|-----|------|
| PROJEKT NR.: | | P | LTR | DESCRIPTION BESCHREIBUNG | DATE | DWN | APVD |
| A1 | - | | | | | | |
| | | | A4 | PN 1394430-3 ADDED | 17SEP2012 | PKS | RRP |
| | | | A5 | 1- VERSIONS ADDED. REELING INFO ADDED | 24JAN2013 | PKS | TK |
| | | | A6 | NOTE 3 UPDATED | 28MAY2018 | SV | PKS |



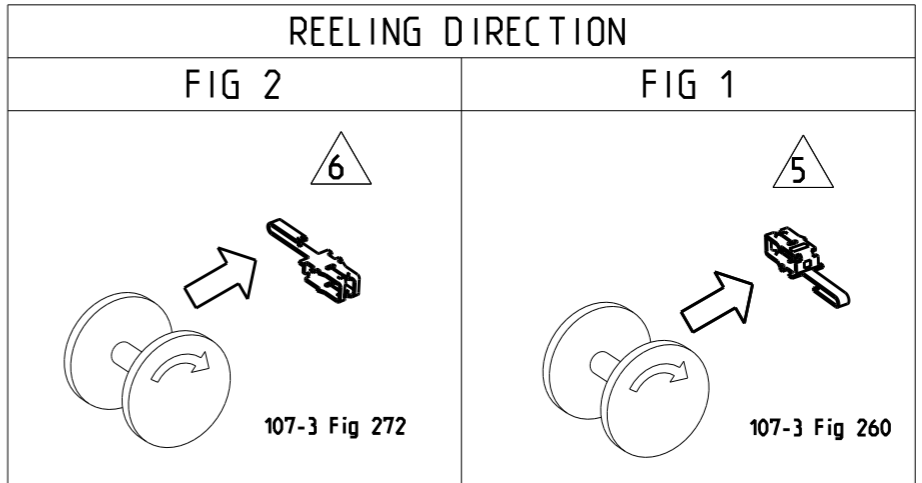
- 6 REELING PER FIG 2
Aufwickeln nach Bild 2
- 5 REELING PER FIG 1
Aufwickeln nach Bild 1
- 4 Materialdicke
0.32±0.012mm
STOCK THICKNESS
- 3 Schlitz geeignet fuer:
Cu Lackdraht, einzeln oder 2 Draehte gleichen Durchmessers Ø0.265....0.40mm
Al Lackdraht, einzeln oder 2 Draehte gleichen Durchmessers Ø0.32...0.45mm
ALUMINIUM IM BEREICH GILT FÜR POST VERZINNT ARTIKEL Nr. NUR
SLOT ACCEPTS:
SINGLE OR DOUBLE Cu MAGNET WIRE SAME DIAMETERS Ø0.265....0.40mm.
SINGLE OR DOUBLE AL MAGNET WIRE SAME DIAMETERS Ø0.32...0.45mm
ALUMINIUM WIRE RANGE APPLIES FOR POST TIN PLATED PART NO'S ONLY
- 2 Kontaktkammer nach Zeichnung Nr.411-18517
CONTACT CAVITY ACCORDING
DRAWING No.411-18517
- 1 Kennziffer fuer Lackdrahtbereich (6)
IDENTIFICATION NO. FOR MAGNET WIRE RANGE (6)

SEE SHEET 2 FOR TABLE


| | | | | |
|---|--|--|---|---------------------------------|
| THIS DRAWING IS A CONTROLLED DOCUMENT. DIESES ZEICHNUNGSDOKUMENT WIRD DURCH AMP INCORPORATED KONTROLLIERT. ÄNDERUNGEN, DIE DEN TECHNISCHEN FORTSCHRITT DIENEN, SIND VORBEHALTEN. DEN JEWEILS LETZTBESTEHENDEN ÄNDERUNGSSTAND ERFAHREN SIE AUF ANFRAGE. | | DWN H.ATZMANN 27SEP2000 | | |
| DIMENSIONS: MASSEINHEITEN: MM | | CHK H.PLOSSER 27SEP2000 | | |
| TOLERANCES UNLESS OTHERWISE SPECIFIED: ALLGEMEINTOLERANZEN | | APVD T.KLENNER 27SEP2000 | NAME MAG-MATE CONTACT RAST 5 D | |
| | | PRODUCT SPEC PRODUKTSPEZ. | RESTRICTED TO NUR FUER | |
| MATERIAL SEE TABLE | | APPLICATION SPEC VERARBEITUNGSSPEZ. | SIZE A3 | CAGE CODE 00779 |
| FINISH/OBERFLAECHE/FARBE SEE TABLE | | WEIGHT GEWICHT | DRAWING NO ZEICHNUNGS-NR. C=1394430 | SCALE MASSSTAB 5:1 |
| | | Customer Drawing | /KUNDENZEICHNUNG | SHEET BLATT 1 OF VON 2 |
| | | | | REV A6 |

THIS DRAWING IS UNPUBLISHED. RELEASED FOR PUBLICATION -
 © COPYRIGHT 2000 BY - ALL RIGHTS RESERVED.

| LOC | DIST | REVISIONS | | | | | |
|-----|------|-----------|-----|-------------|------|-----|------|
| | | P | LTR | DESCRIPTION | DATE | DWN | APVD |
| A1 | - | | - | SEE SHEET 1 | - | - | - |
| | | | | | | | |
| | | | | | | | |



| | | | | |
|------------------------|----------------------------------|----------------------|------|------------------------------|
| △6 | POST TIN PLATED POST VERZINNT | CuZn | A | 1-1394430-3 |
| △6 | PRETINNE vorverzint | CuZn | A | 1-1394430-2 |
| △6 | PRETINNE vorverzint | CuNiSi | A | 1-1394430-1 |
| △5 | POST TIN PLATED POST VERZINNT | CuZn | A | 0-1394430-3 |
| △5 | PRETINNE vorverzint | CuZn | A | 0-1394430-2 |
| △5 | PRETINNE vorverzint | CuNiSi | A | 0-1394430-1 |
| REMARKS Bemerkungen | SURFACE Oberflaeche | MATERIAL Material | REV. | PART NUMBER Bestellnummer |

| | | | | | | | | | | | | | | | | |
|--|------|----------------------------|--|-----------------|----------------------|-------|------|-------|------|-------|------|--------|-----|--------------------------------------|---------------|--|
| THIS DRAWING IS A CONTROLLED DOCUMENT. | | DWN SENTHIL 24 JAN 2013 |  TE Connectivity | | | | | | | | | | | | | |
| DIMENSIONS: mm | | CHK RAJENDRA 24 JAN 2013 | | | | | | | | | | | | | | |
| TOLERANCES UNLESS OTHERWISE SPECIFIED: | | APVD T.KLENNER 24 JAN 2013 | | | | | | | | | | | | | | |
| <table border="1" style="width: 100%;"> <tr> <td>0 PLC</td> <td>±0.2</td> </tr> <tr> <td>1 PLC</td> <td>±0.2</td> </tr> <tr> <td>2 PLC</td> <td>±0.2</td> </tr> <tr> <td>3 PLC</td> <td>±0.2</td> </tr> <tr> <td>4 PLC</td> <td>±0.2</td> </tr> <tr> <td>ANGLES</td> <td>±1°</td> </tr> </table> | | 0 PLC | ±0.2 | 1 PLC | ±0.2 | 2 PLC | ±0.2 | 3 PLC | ±0.2 | 4 PLC | ±0.2 | ANGLES | ±1° | NAME MAG-MATE CONTACT RAST 5 D | RESTRICTED TO | |
| 0 PLC | ±0.2 | | | | | | | | | | | | | | | |
| 1 PLC | ±0.2 | | | | | | | | | | | | | | | |
| 2 PLC | ±0.2 | | | | | | | | | | | | | | | |
| 3 PLC | ±0.2 | | | | | | | | | | | | | | | |
| 4 PLC | ±0.2 | | | | | | | | | | | | | | | |
| ANGLES | ±1° | | | | | | | | | | | | | | | |
| MATERIAL SEE TABLE | | PRODUCT SPEC - | SIZE A3 | CAGE CODE 00779 | DRAWING NO C-1394430 | | | | | | | | | | | |
| FINISH SEE TABLE | | APPLICATION SPEC - | SCALE 5:1 | | SHEET 2 OF 2 | | | | | | | | | | | |
| | | WEIGHT - | Customer Drawing | | REV A6 | | | | | | | | | | | |

单击下面可查看定价，库存，交付和生命周期等信息

[>>TE Connectivity\(泰科\)](#)