

4

3

2

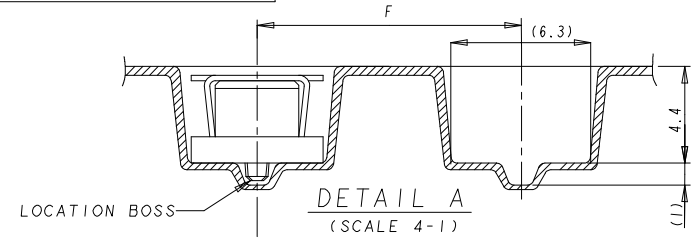
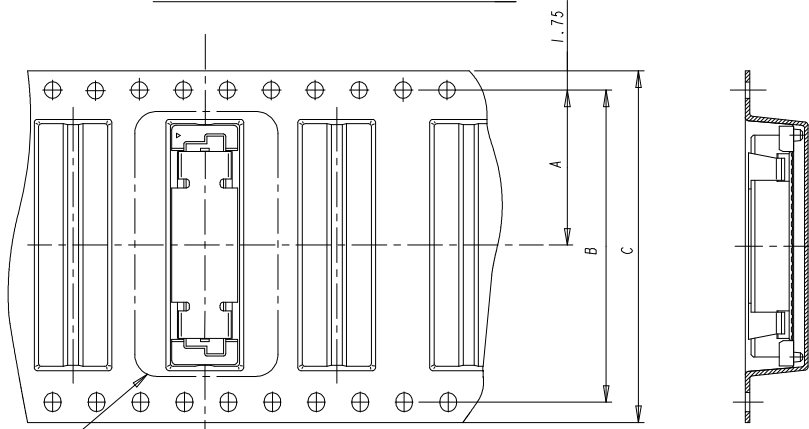
1

THIS DRAWING IS UNPUBLISHED. RELEASED FOR PUBLICATION
 © COPYRIGHT - TE Connectivity ALL RIGHTS RESERVED.

REVISIONS					
P	LTR	DESCRIPTION	DATE	DWN	APVD
R4		ADD NEW P/N PER ECR-19-014765	16SEP2019	AL	HL

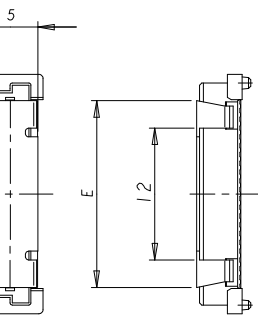
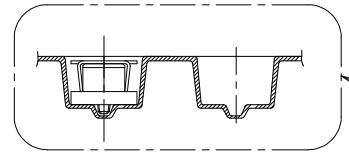
LOW HALOGEN

DIRECTION OFF TOP OF REEL



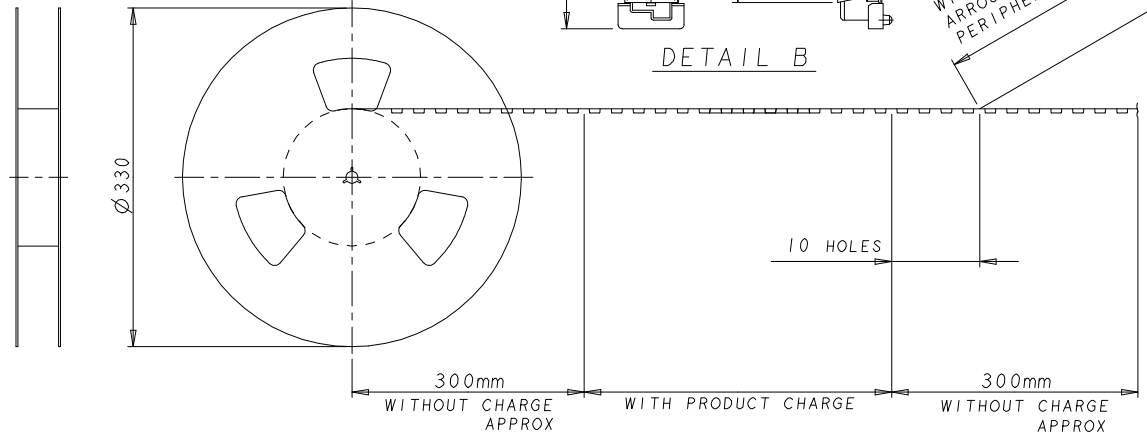
- NOTES :
- ① MATERIAL: HOUSING: LCP,HIGH TEMP THERMOPLASTIC UL 94V-0,NATURAL.
CONTACT: COPPER ALLOY.
 - ② FINISH: 0.0013 MIN ALL OVER NICKEL
CONTACT AREA: 0.00038 MIN GOLD
SOLDERING AREA: 0.002 MIN MATTE TIN.
 - ③ POSITION SERIES: SEE TABLE.
 - ④ CONN STACK HEIGHT COMBINE OF
PLUG "Y"H VS REC "X"H.
STACK HEIGHT = Y+X-5
 - ⑤ FINISH: 0.0013 MIN ALL OVER NICKEL
CONTACT AREA: 0.00038 MIN GOLD
SOLDERING AREA: 0.002 MIN MATTE TIN.
 - ⑥ CONNECTOR WITH BLACK COLOR AND POLYIMIDE COVER
 - ⑦ FINISH: 0.0013 MIN ALL OVER NICKEL
CONTACT AREA: GOLD FLASH
SOLDERING AREA: 0.002 MIN MATTE TIN.

DETAIL B



STEEL COVER

WINDING THE COVER TAPE
AROUND THE OUTER
PERIPHERY IN A TURN.



GOLD FLASH -Sn	700	16	12	17	69.8	88	84.4	42.2	160	9-	-8
					53.8	72	68.4	34.2	120	9-	-5
①	↑	↑			45.8	72	68.4	34.2	100	9-	-4
	↑	↑			37.8	56	52.4	26.2	80	9-	-3
	↑	↑			29.8	44	40.4	20.2	60	9-	-2
	↑	↑			21.8	32	28.4	14.2	40	9-	-1
	↑	↑	↑	↑	85.8	104	100.4	50.2	200	2-	-0
	↑	↑	↑	↑	77.8	104	100.4	50.2	180	1-	-9
	↑	↑	↑	↑	70.1	88	84.4	42.2	160	1-	-8
	↑	↑	↑	↑	61.8	88	84.4	42.2	140	1-	-6
15Au-Sn	↑	↑	↑	↑	53.8	72	68.4	34.2	120	1-	-5
⑤	↑	↑			45.8	72	68.4	34.2	100	1-	-4
	↑	↑			37.8	56	52.4	26.2	80	1-	-3
	↑	↑			29.8	44	40.4	20.2	60	1-	-2
	↑	↑			21.8	32	28.4	14.2	40	1-	-1
	↑	↑	↑	↑	85.8	104	100.4	50.2	200	1-	-0
	↑	↑	↑	↑	77.8	104	100.4	50.2	180		-9
	↑	↑	↑	↑	69.8	88	84.4	42.2	160		-8
	↑	↑	↑	↑	61.8	88	84.4	42.2	140		-6
	↑	↑	↑	↑	53.8	72	68.4	34.2	120		-5
08Au-Sn	↑	↑	↑	↑	45.8	72	68.4	34.2	100		-4
②	↑	↑			37.8	56	52.4	26.2	80		-3
	↑	↑			29.8	44	40.4	20.2	60		-2
	↑	↑			21.8	32	28.4	14.2	40		-1
	↑	↑	↑	↑	85.8	104	100.4	50.2	200		-0
	↑	↑	↑	↑	77.8	104	100.4	50.2	180		-9
	↑	↑	↑	↑	69.8	88	84.4	42.2	160		-8
	↑	↑	↑	↑	61.8	88	84.4	42.2	140		-6
	↑	↑	↑	↑	53.8	72	68.4	34.2	120		-5
	↑	↑	↑	↑	45.8	72	68.4	34.2	100		-4
	↑	↑	↑	↑	37.8	56	52.4	26.2	80		-3
	↑	↑	↑	↑	29.8	44	40.4	20.2	60		-2
	↑	↑	↑	↑	21.8	32	28.4	14.2	40		-1
FINISH	QTY	F	E	D	C	B	A	POS	PART NO.		

THIS DRAWING IS A CONTROLLED DOCUMENT. DWN: SK LEAW, CHK: ERIC TING, APVD: SF LEONG

TE Connectivity Ltd.

RECEPTACLE ASSEMBLY 5H TYPE (0.5MM BOSS LENGTH) FOR 0.8FH ON TAPING

108-5390

114-5254

SIZE: A2, CAGE CODE: 00779, DRAWING NO: C=5177985

SCALE: 1:1, SHEET: 1 of 4, REV: R4

4

3

2

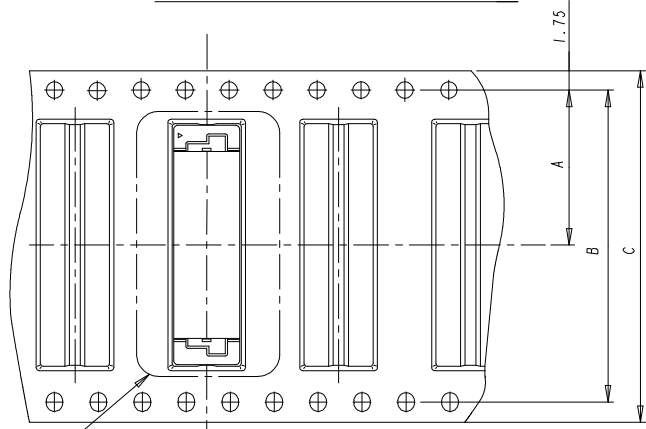
1

THIS DRAWING IS UNPUBLISHED. RELEASED FOR PUBLICATION
 © COPYRIGHT - TE Connectivity ALL RIGHTS RESERVED.

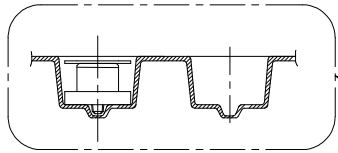
REVISIONS				
P	LTR	DESCRIPTION	DATE	APVD
-	-	SEE SHEET 1	-	-

LOW HALOGEN

DIRECTION OFF TOP OF REEL

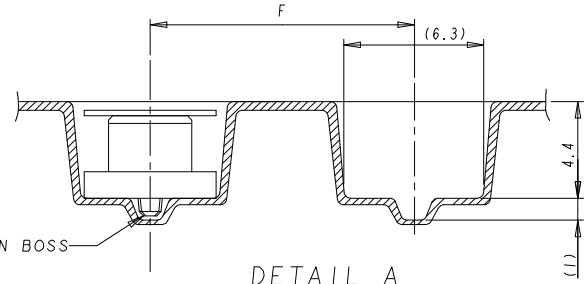


DETAIL B

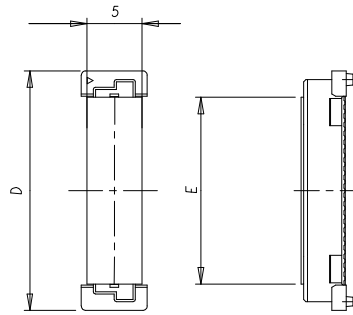


DETAIL A

LOCATION BOSS

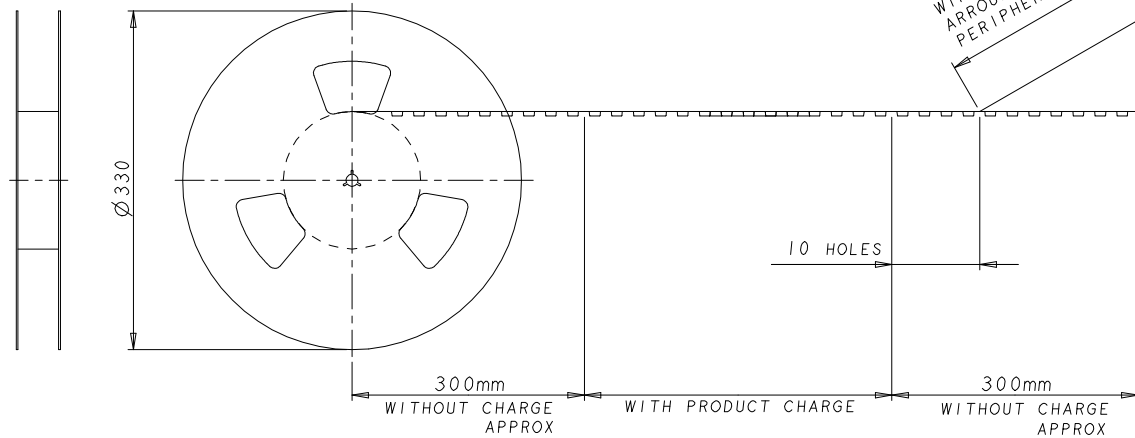


DETAIL A
(SCALE 4-1)



DETAIL B

POLYIMIDE COVER



WINDING THE COVER TAPE
AROUND THE OUTER
PERIPHERY IN A TURN.

700	16	11	61.8	88	84.4	42.2	140	9-5177985-6	
FINISH	QTY	F	E	D	C	B	A	POS	PART NO.

THIS DRAWING IS A CONTROLLED DOCUMENT.		DWN: SK LEAW CHK: ERIC TING	17MAV2004	TE Connectivity Ltd.	
DIMENSIONS: mm		APVD: SF LEONG		NAME	
TOLERANCES UNLESS OTHERWISE SPECIFIED:		PRODUCT SPEC		RECEPTACLE ASSEMBLY 5H TYPE (0.5MM BOSS LENGTH) FOR 0.8FH ON TAPING	
0 PLC ± -		108-5390		SIZE CAGE CODE DRAWING NO	
1 PLC ± 0.3		APPLICATION SPEC		RESTRICTED TO	
2 PLC ± 0.25		114-5254		A2 00779 C=5177985	
3 PLC ± 0.2		WEIGHT		SCALE 1:1 SHEET 2 of 4 REV R4	
4 PLC ± -		CUSTOMER DRAWING			
ANGLES FINISH					

4

3

2

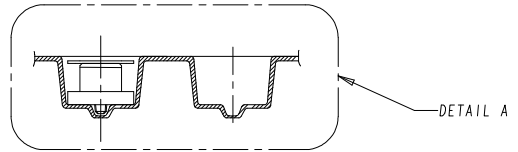
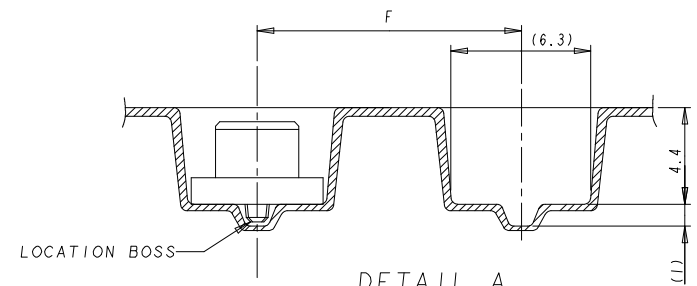
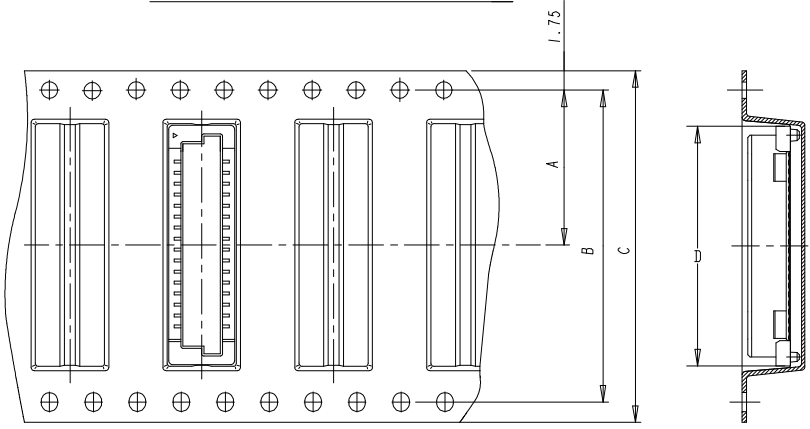
1

THIS DRAWING IS UNPUBLISHED. RELEASED FOR PUBLICATION
 © COPYRIGHT - TE Connectivity ALL RIGHTS RESERVED.

REVISIONS					
P	LTR	DESCRIPTION	DATE	DWN	APVD
-	-	SEE SHEET 1	-	-	-

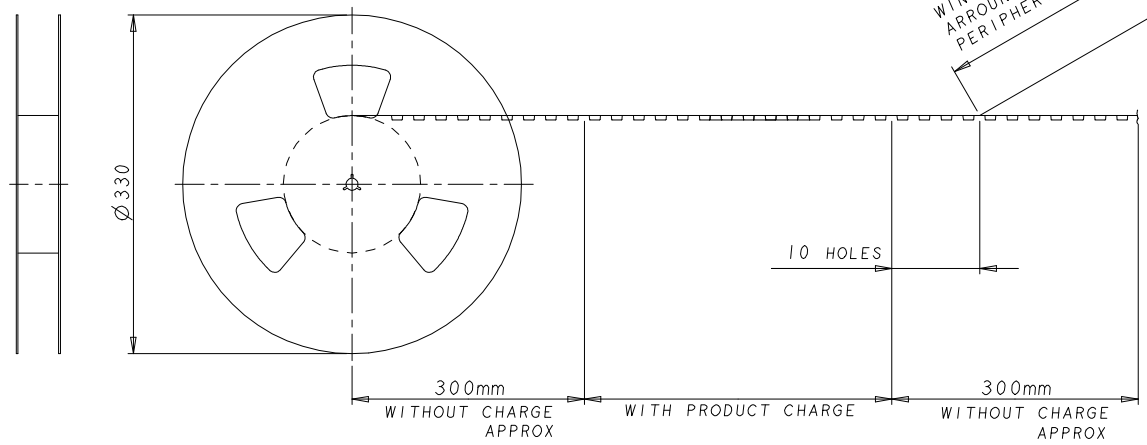
LOW HALOGEN

DIRECTION OFF TOP OF REEL



WITHOUT COVER

WINDING THE COVER TAPE
 AROUND THE OUTER
 PERIPHERY IN A TURN.



FINISH	QTY	F	D	C	B	A	POS	PART NO.
△	700	16	21.8	32	28.4	14.2	40	8-5177985-1
△	700	16	53.8	72	68.4	34.2	120	8-5177985-5

THIS DRAWING IS A CONTROLLED DOCUMENT.		DWN: SK LEAW 17MAV2004	TE Connectivity Ltd.	
DIMENSIONS: mm		CHK: ERIC TING		
TOLERANCES UNLESS OTHERWISE SPECIFIED:		APVD: SF LEONG	NAME: RECEPTACLE ASSEMBLY 5H TYPE (0.5MM BOSS LENGTH) FOR 0.8FH ON TAPING	
0 PLC ± - 1 PLC ± 0.3 2 PLC ± 0.25 3 PLC ± 0.2 4 PLC ± - ANGLES ± - FINISH -		PRODUCT SPEC: 108-5390	SIZE: A2	
MATERIAL: -		APPLICATION SPEC: 114-5254	CAGE CODE: 00779	DRAWING NO: C=5177985
		WEIGHT: -	RESTRICTED TO: -	
		CUSTOMER DRAWING	SCALE: 1:1	SHEET: 3 of 4 REV: R4

4

3

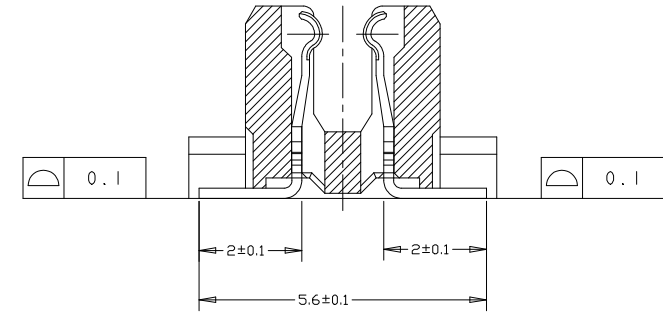
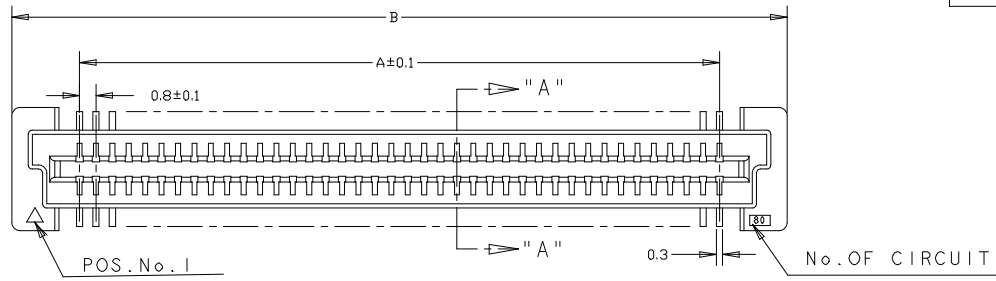
2

1

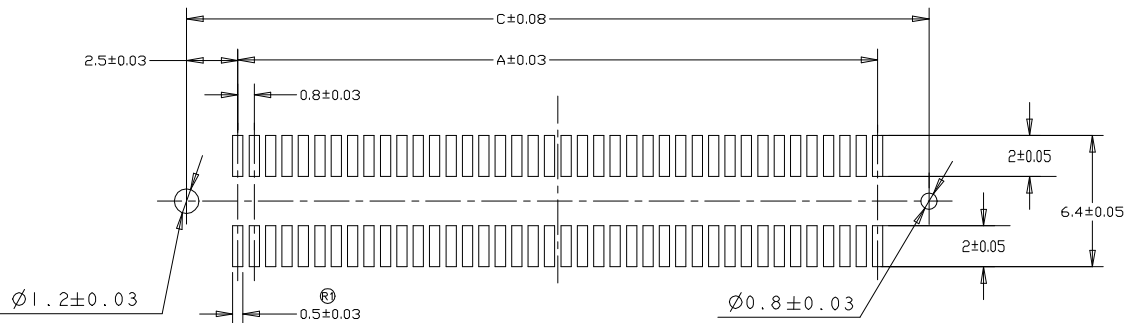
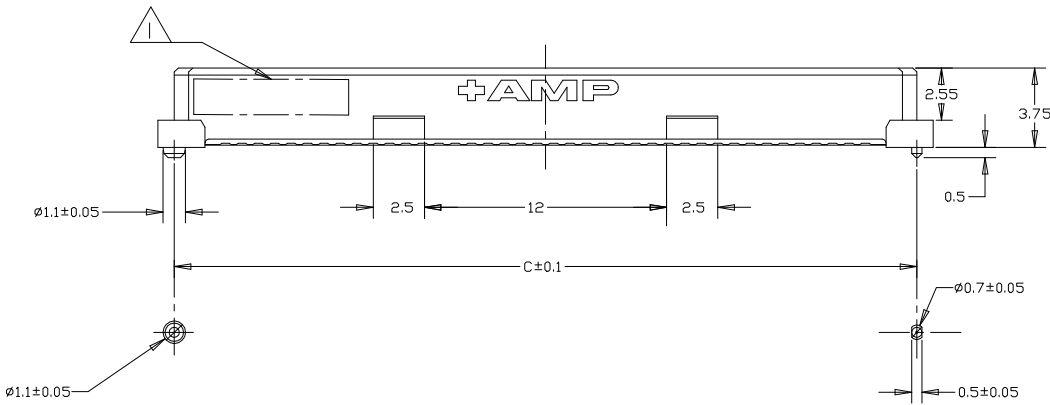
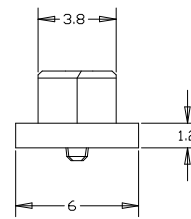
THIS DRAWING IS UNPUBLISHED. RELEASED FOR PUBLICATION. ALL RIGHTS RESERVED. © COPYRIGHT - TE Connectivity

LOW HALOGEN

REVISIONS					
P	LTR	DESCRIPTION	DATE	DWN	APVD
-	-	SEE SHEET 1	-	-	-



SECT. "A" - "A" (SCALE 10-1)



RECOMMENDED P.C. BOARD LAYOUT

CONNECTOR ONLY

(R4)	20.2	21.8	15.2	40	8-	-1
	52.2	53.8	47.2	120	8-	-5
	68.2	69.8	63.2	160	9-	-8
	52.2	53.8	47.2	120	9-	-5
	44.2	45.8	39.2	100	9-	-4
	36.2	37.8	31.2	80	9-	-3
	28.2	29.8	23.2	60	9-	-2
	20.2	21.8	15.2	40	9-	-1
	84.2	85.8	79.2	200	2-	-0
	76.2	77.8	71.2	180	1-	-9
	68.2	69.8	63.2	160	1-	-8
	60.2	61.8	55.2	140	1-	-6
	52.2	53.8	47.2	120	1-	-5
	44.2	45.8	39.2	100	1-	-4
	36.2	37.8	31.2	80	1-	-3
	28.2	29.8	23.2	60	1-	-2
	20.2	21.8	15.2	40	1-	-1
	84.2	85.8	79.2	200	1-	-0
	76.2	77.8	71.2	180		-9
	68.2	69.8	63.2	160		-8
(R4)	20.2	21.8	15.2	40		-7
	60.2	61.8	55.2	140		-6
	52.2	53.8	47.2	120		-5
	44.2	45.8	39.2	100		-4
	36.2	37.8	31.2	80		-3
	28.2	29.8	23.2	60		-2
	20.2	21.8	15.2	40		-1
	C	B	A	POS	PART NO.	

THIS DRAWING IS A CONTROLLED DOCUMENT. DWN: SK LEAW 17MAY2004
 CHK: ERIC TING
 APVD: SF LEONG
 PRODUCT SPEC: 108-5390
 APPLICATION SPEC: 114-5254
 MATERIAL: -
 FINISH: -

TE Connectivity Ltd.
 RECEPTACLE ASSEMBLY 5H TYPE (0.5MM BOSS LENGTH) FOR 0.8FH ON TAPING
 SIZE: A2 CAGE CODE: 00779 DRAWING NO: C=5177985
 WEIGHT: -
 CUSTOMER DRAWING

SCALE: 1:1 SHEET: 4 of 4 REV: R4

单击下面可查看定价，库存，交付和生命周期等信息

[>>TE Connectivity\(泰科\)](#)