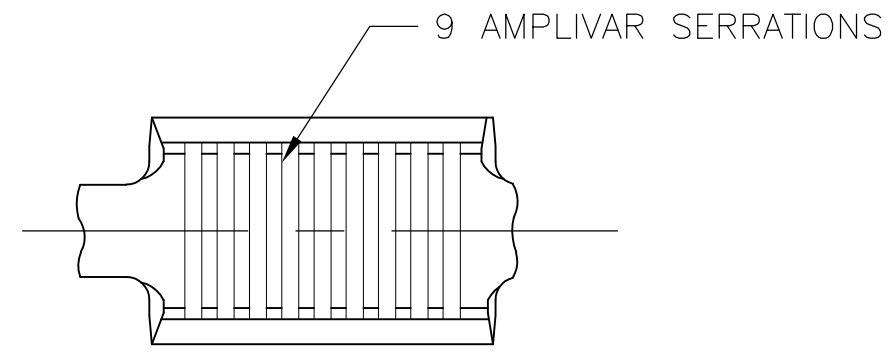
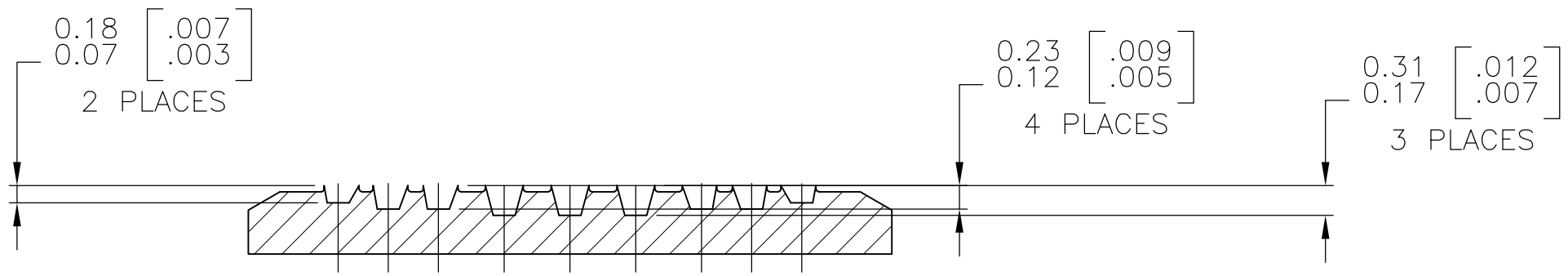
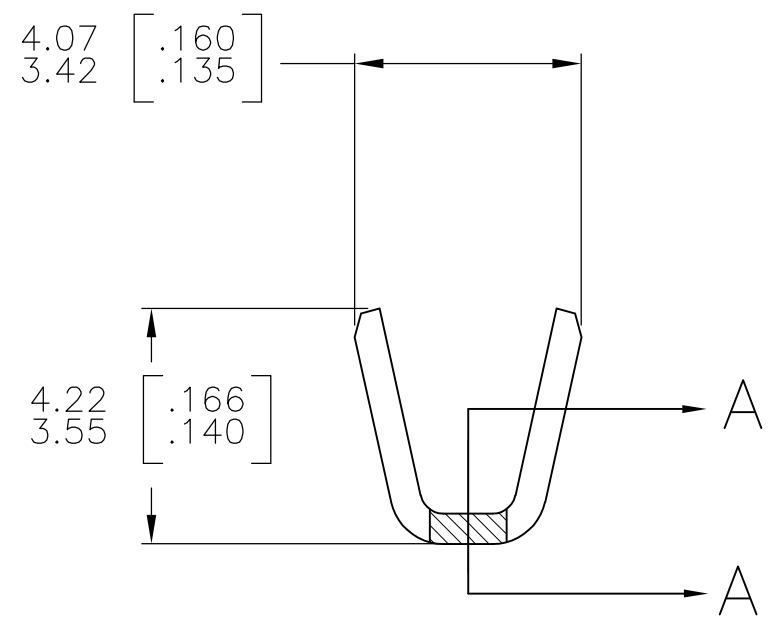
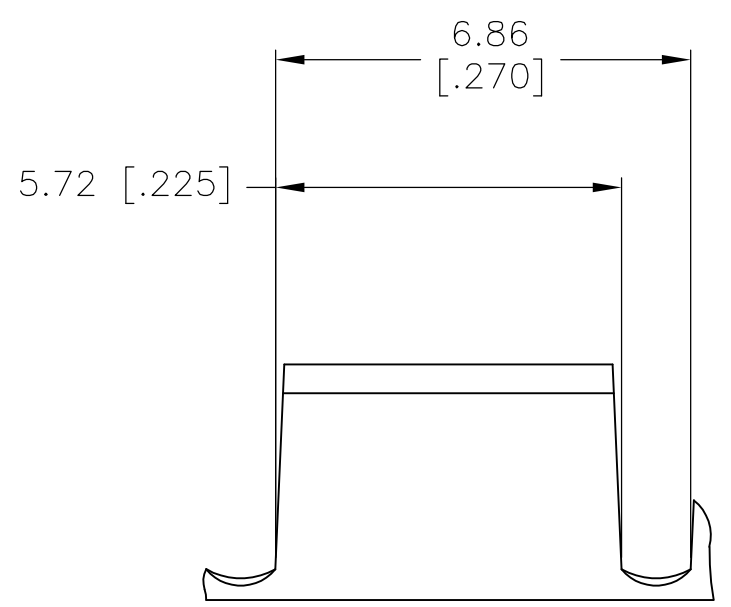


THIS DRAWING IS UNPUBLISHED. RELEASED FOR PUBLICATION
 © COPYRIGHT - By -TE ALL RIGHTS RESERVED.

REVISIONS					
P	LTR	DESCRIPTION	DATE	DWN	APVD
	A	REVISED PER ECR-16-016163	21NOV2016	BW	RS



- CONTINUOUS STRIP ON REELS.
 - DIMENSIONS IN BRACKETS ARE IN INCHES.
 - WIRE RANGE: 1500-5000 CMA.
 - CRIMP WIDTH: .110 F (AMPLIVAR TYPE)
 CRIMP HEIGHT (±.002)=(TOTAL CMA +10,700)/193,400
 CRIMP WIDTH: .140 F (AMPLIVAR TYPE)
 CRIMP HEIGHT (±.002)=(TOTAL CMA +11,100)/233,300
- GENERAL APPLICATION GUIDELINES MUST BE FOLLOWED AS SPECIFIED IN CATALOG # 82221
 FOR APPLICATOR INFORMATION CALL: 1-800-722-1111
 FOR PRODUCT INFORMATION CALL: 1-800-522-6752



SECTION A-A
 SCALE 20:1

2238122-1
 PART NO

THIS DRAWING IS A CONTROLLED DOCUMENT.		DWN R.SMITH 03MAY16	STE TE Connectivity		
DIMENSIONS: mm [INCHES]		CHK K.RANDOLPH 03MAY16			
TOLERANCES UNLESS OTHERWISE SPECIFIED:		APVD K.RANDOLPH 03MAY16	NAME		
0 PLC ± -		PRODUCT SPEC	-		
1 PLC ± -		APPLICATION SPEC	SPLICE, THRU, AMPLIVAR 9 SERRATIONS		
2 PLC ± -		WEIGHT 0	SIZE A3	CAGE CODE 00779	DRAWING NO C-2238122
3 PLC ± 0.38 [.015]		MATERIAL REF 0.51±0.03 [.020±.001] BRASS	RESTRICTED TO		
4 PLC ± -			-		
ANGLES ± 1° 0'		FINISH TIN PLATE	SCALE 8:1	SHEET 1 OF 1	REV A
CUSTOMER DRAWING					

单击下面可查看定价，库存，交付和生命周期等信息

[>>TE Connectivity\(泰科\)](#)