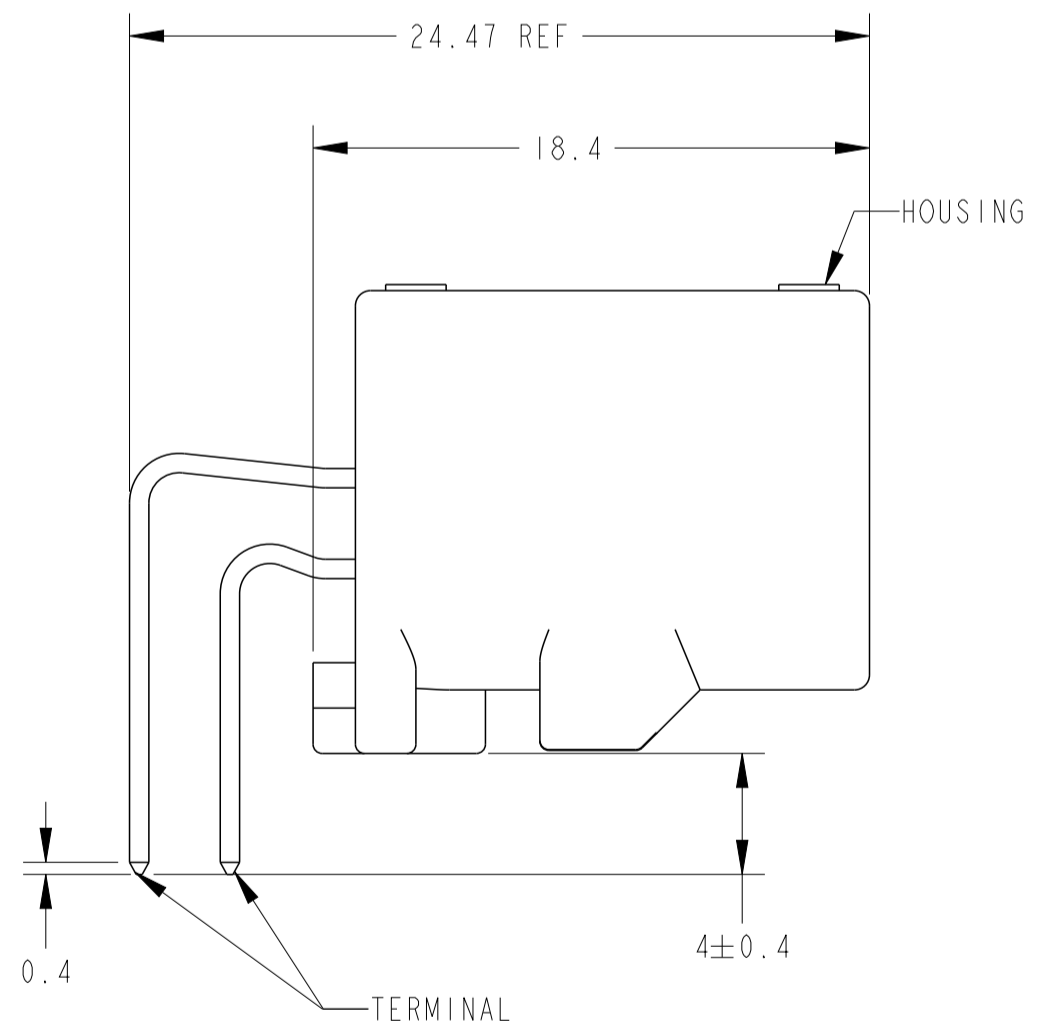
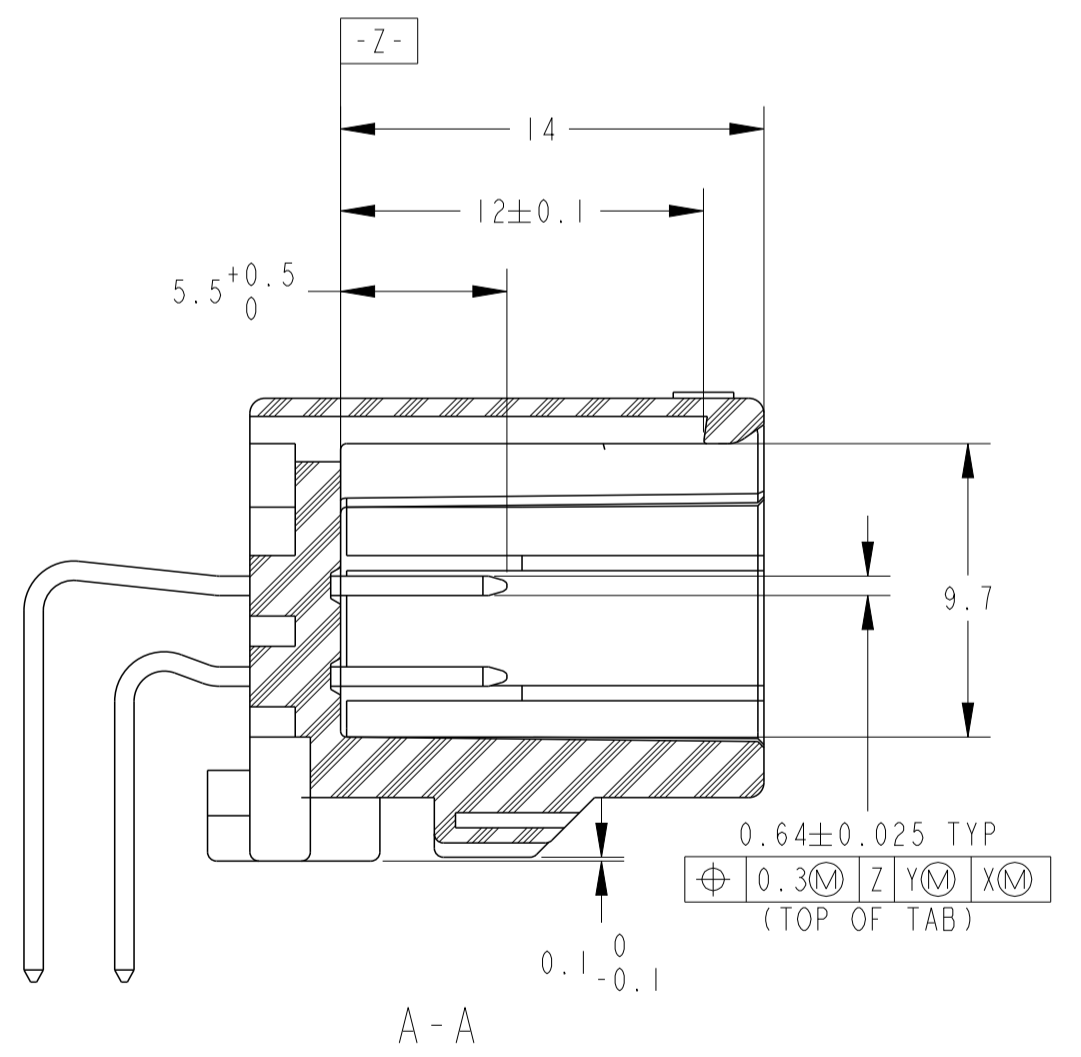
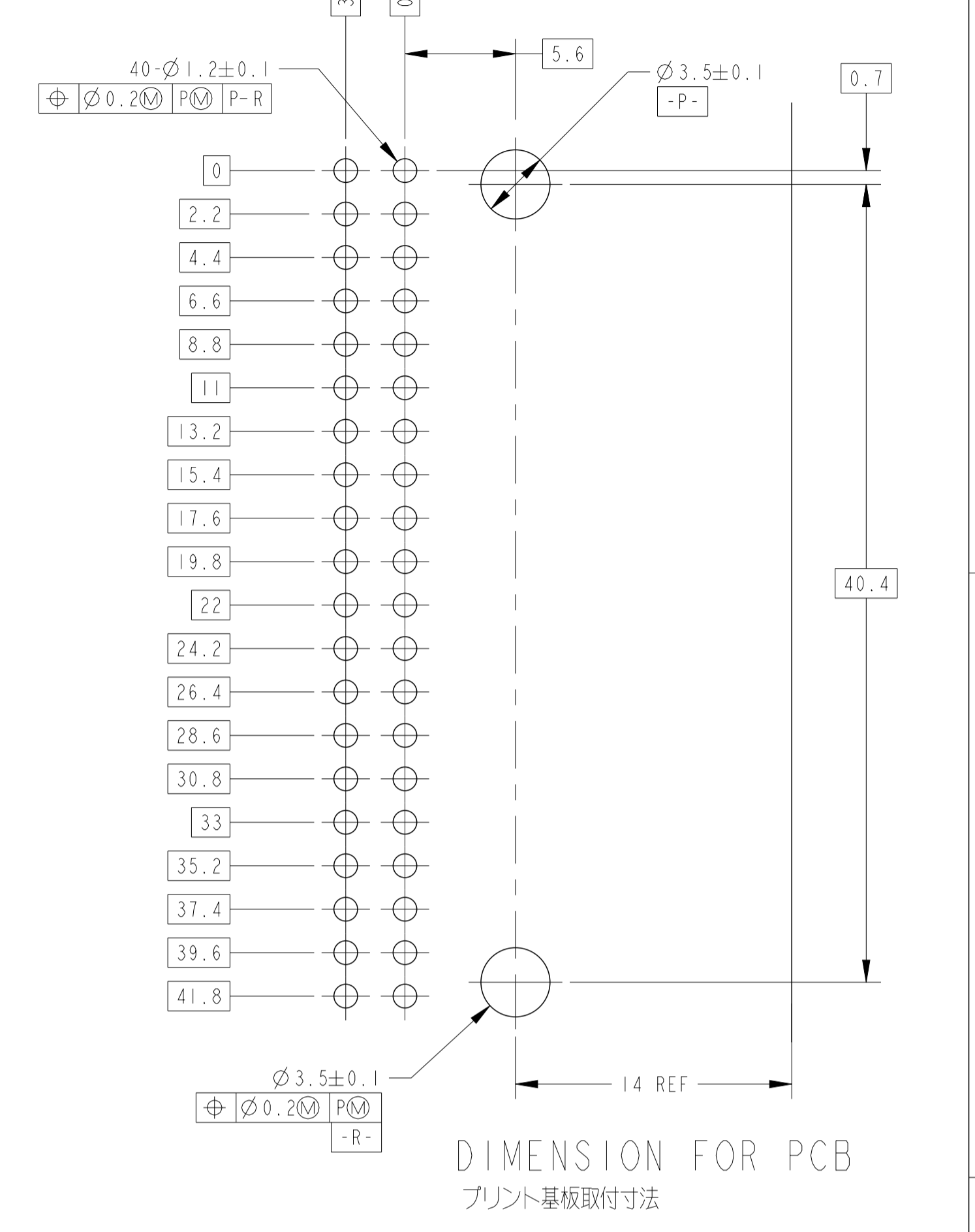
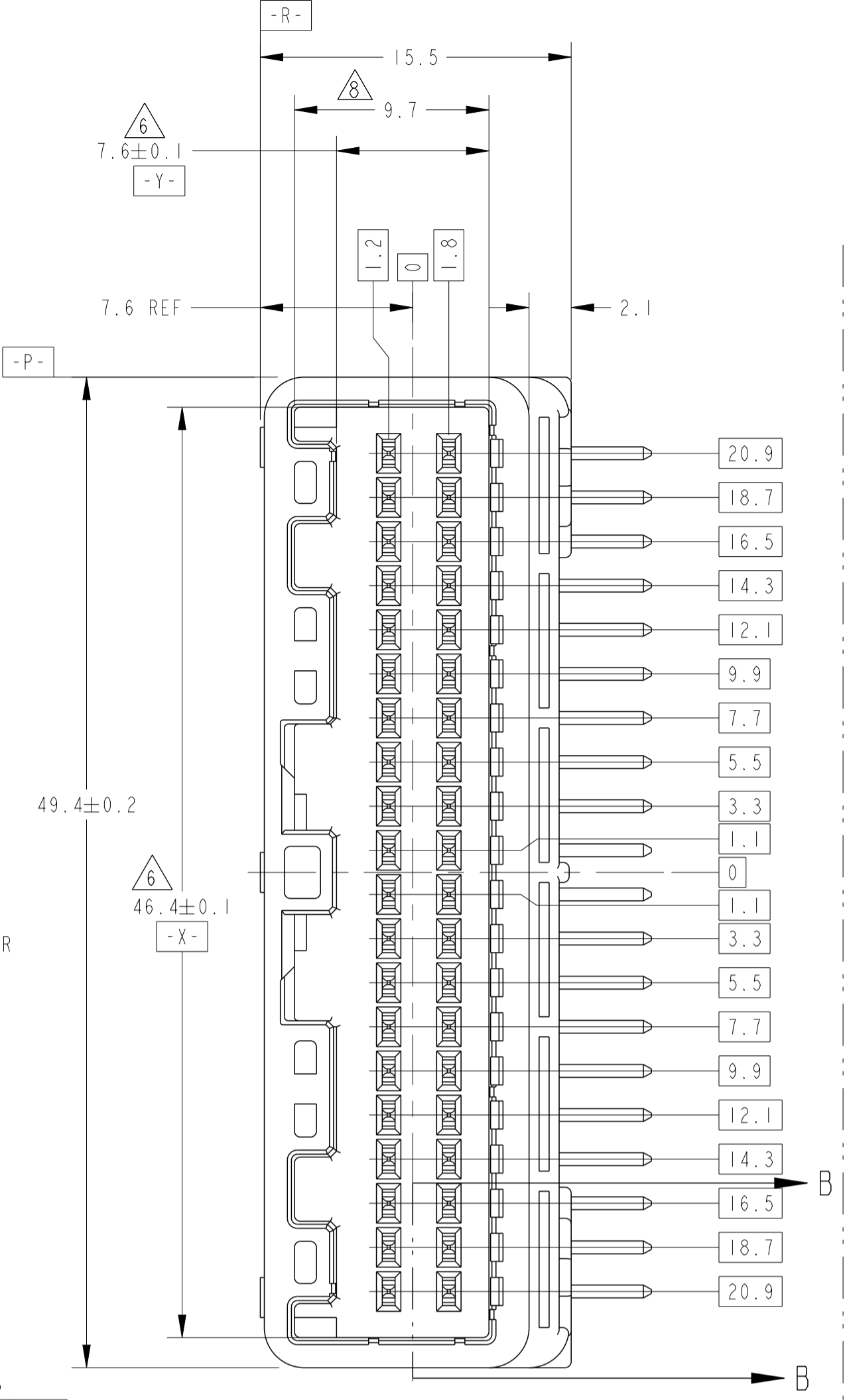
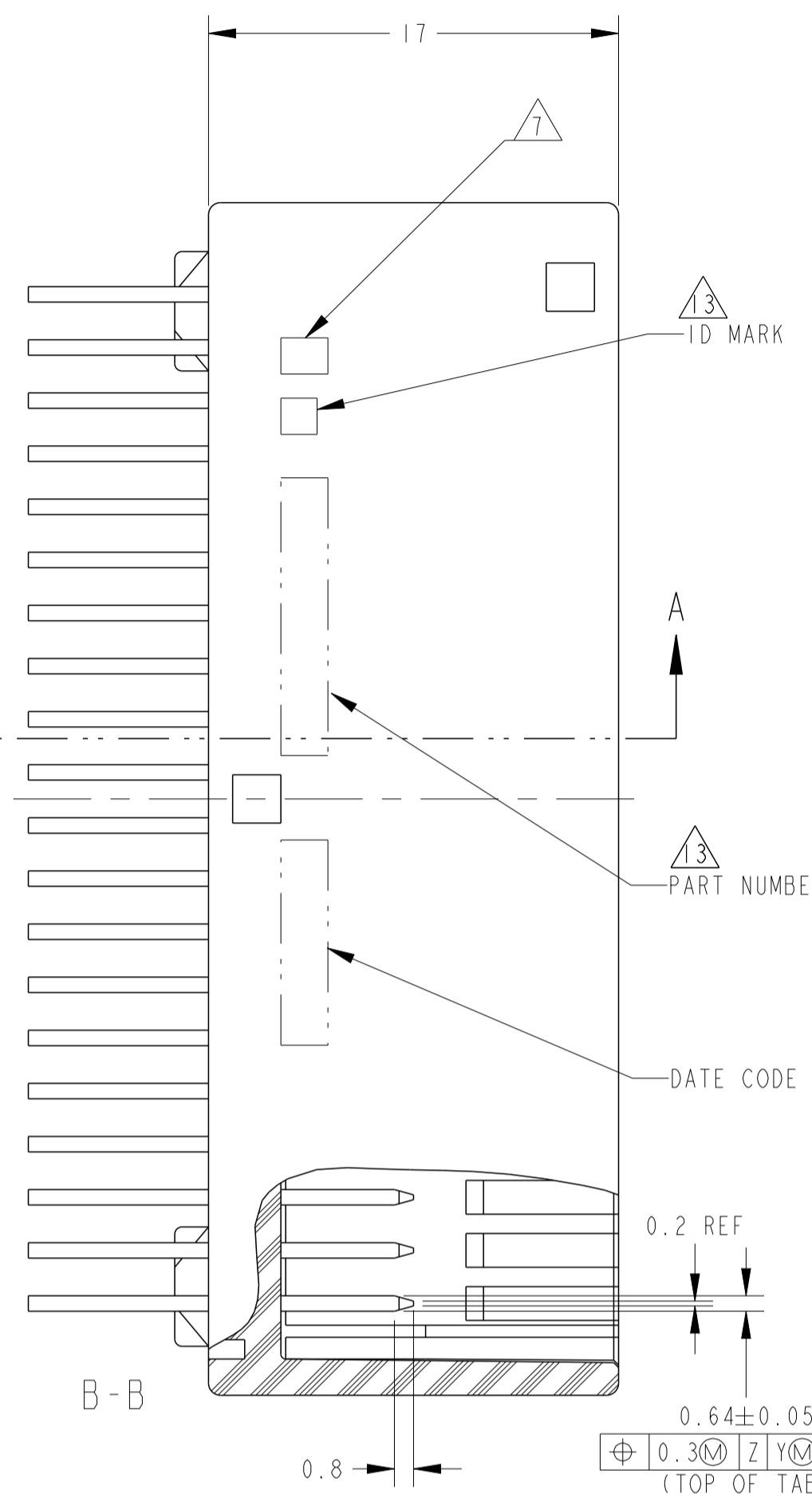
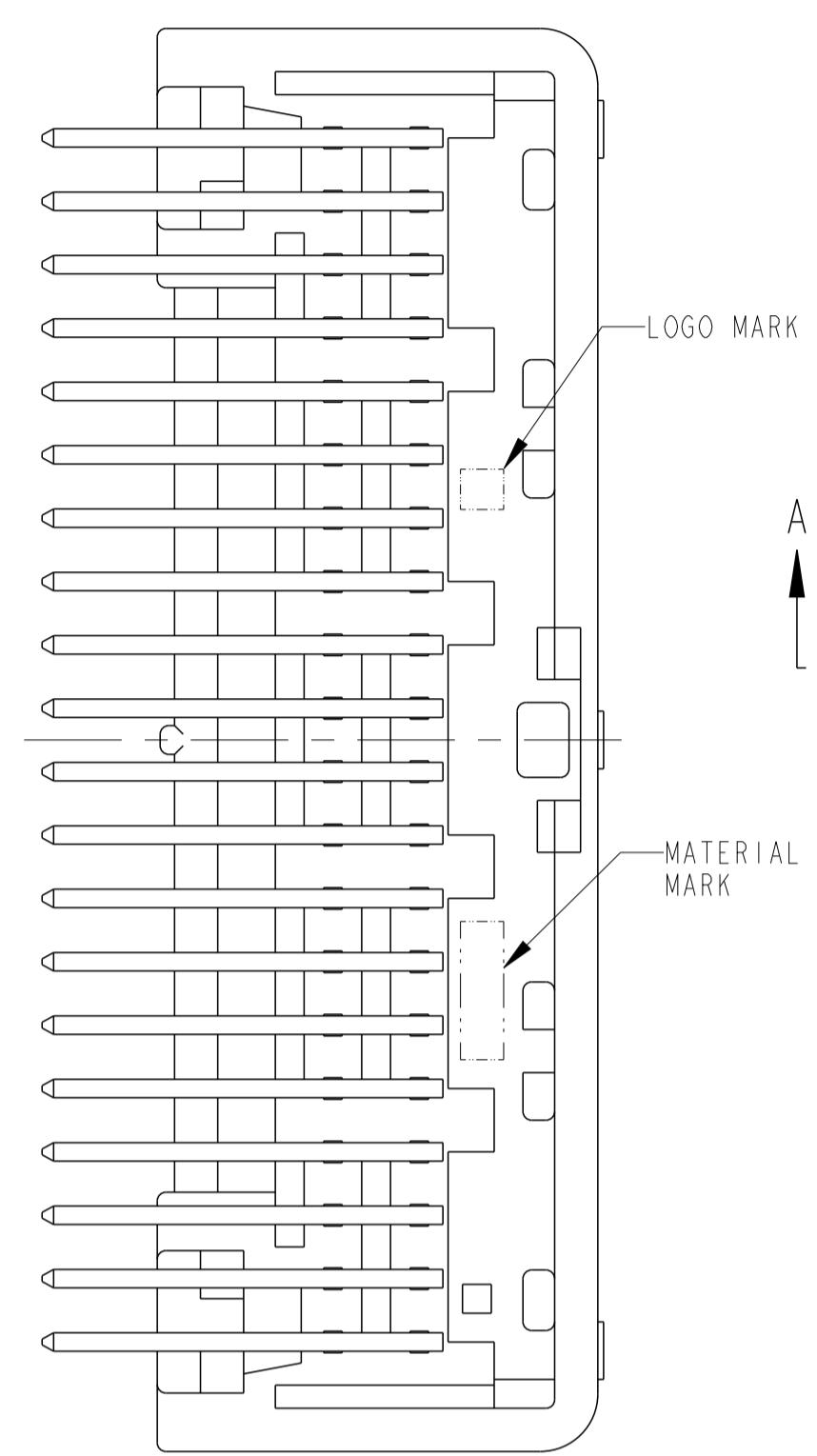
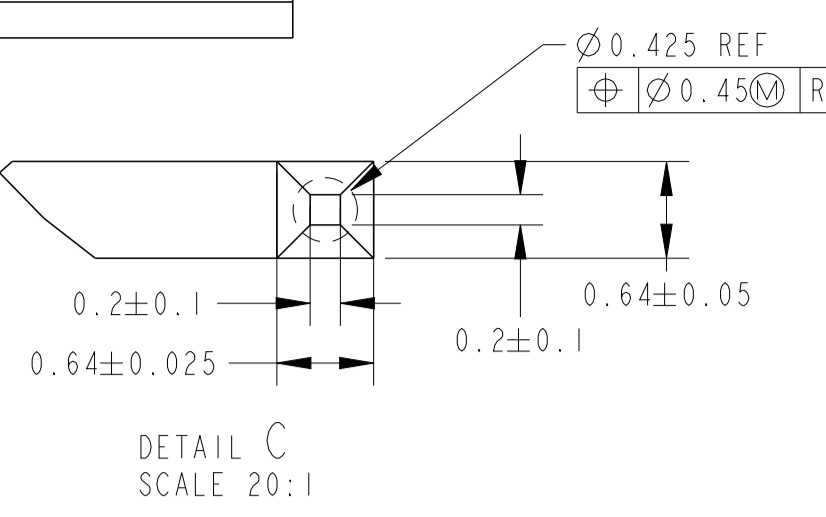
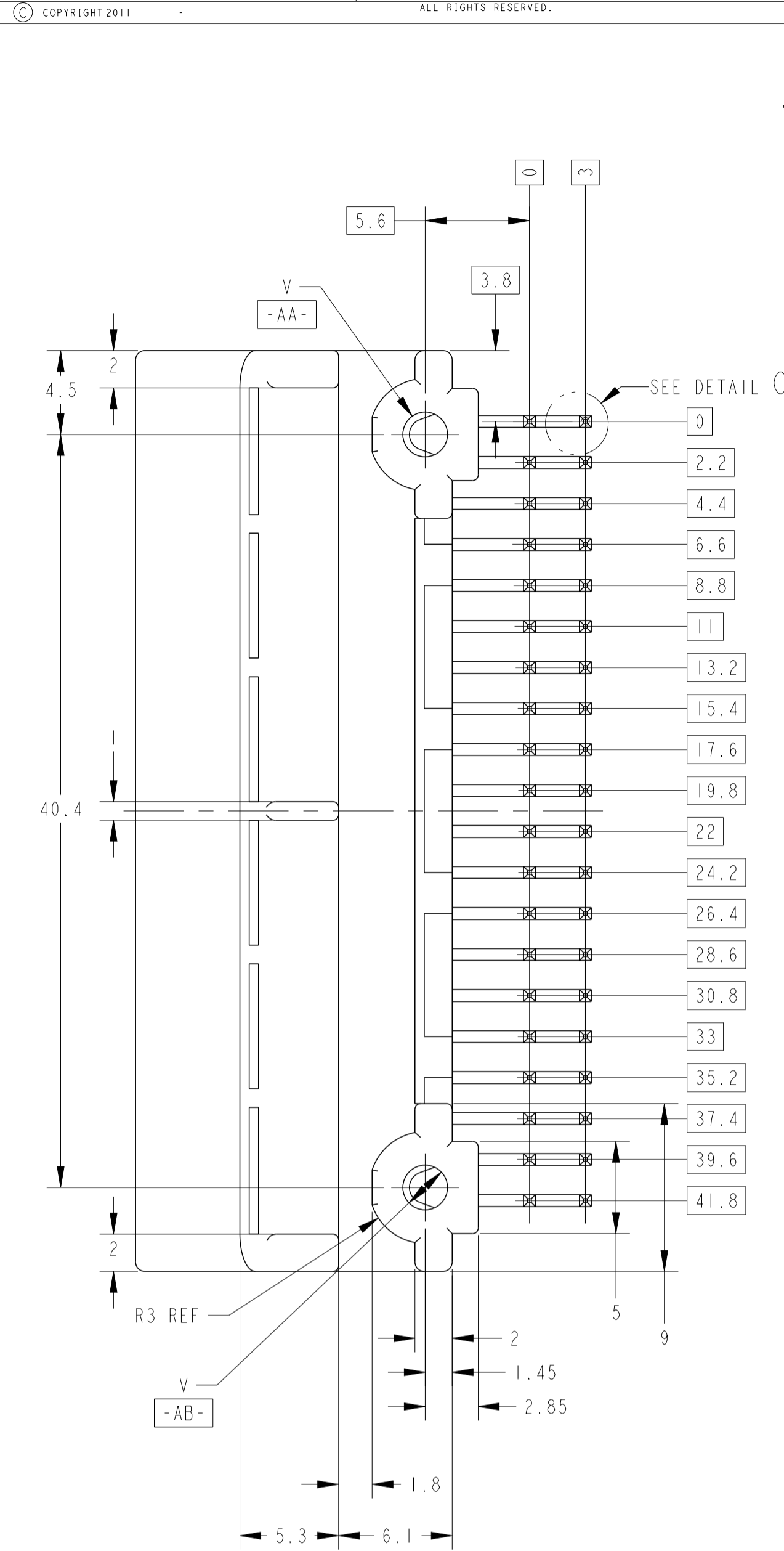


REV	DATE	BY	CHK	DESCRIPTION
C2	02APR2011	RK	HMR	REVISD ECO-11-005140
C3	29AUG2011	YN	YF	REVISD ECO-11-013395
C4	11APR2013	TS	HY	REVISD ECR-13-006139
C5	10APR2014	KT	RK	REVISD ECR-14-005369



- PLUG HOUSING TO BE MATED; SEE TABLE-1.
 - DETAIL OF TERMINALS TO BE MATED; SEE TABLE-2.
 - RECOMMENDED SCREW: PAN-HEADED, TYPE 2 TAPPING SCREW, NOMINAL DIAMETER 3mm LENGTH; SEE TABLE-3 (JIS B1115, B1122).
 - FASTENING TORQUE FOR SCREW(FOR REFERENCE): 0.392N·m MAX.
 - AS FOR THE HANDLING OF THIS PRODUCT, FOLLOW THE INSTRUCTION SHEET No.; 411-5928, 411-78080
- \triangle MEASURED AT 6mm FROM -Z-
 \triangle IDENTIFICATION MARK OF THE CONTACT FINISH; SEE TABLE.
 \triangle MEASURED AT 2mm FROM -Z-
 \triangle PRELIMINARY - NOT RELEASED FOR PRODUCTION.
 \triangle CIRCUIT NUMBER: SEE FIG.1
 \triangle NO IDENTIFICATION MARK OF CONTACT FINISH AND ID MARK
 \triangle GOLD PLATING POSITION: SEE SHEET 20F3.
 \triangle ID MARK, PART NUMBER INDICATED.
- 嵌合相手ハウジング型番: TABLE-1 参照
 - 嵌合相手端子構成: TABLE-2 参照
 - 推奨取付ねじ: JIS B1115, B1122タッピングねじ, ねじ径3, 取付長さ: TABLE-3参照
 - ねじ締めトルク(参考値): 0.392N·m MAX
 - 本品の取扱いについては、取扱説明書 No.; 411-5928, 411-78080に準うこと
- \triangle -Z- より6mmの位置で測定。
 \triangle コンタクト仕上識別用マーク; SEE TABLE
 \triangle -Z- より2mmの位置で測定。
 \triangle 試作の物製産されていない
 \triangle 回路番号: FIG.1参照
 \triangle コンタクト仕上識別用マーク及びIDマークの刻印は無し
 \triangle 金めっき位置: SHEET 20F3 参照
 \triangle ID MARK, PART NUMBERを表示。

TABLE-3

プリント基板板厚 (mm) THICKNESS OF PCB (mm)	1.2	1.6
固定用ねじ着下長さ (mm) NOMINAL LENGTH OF SCREW (mm)	5	6

TABLE-1

POS 極数	TYPE	FEMALE HSG メスハウジング PART NO
40	CRIMP	1318389(1), 1674312(111)
40	IDC	1318691 1318695

TABLE-2

POS 極数	APPLICABLE WIRE RANGE (FEMALE) 適用電線 (メス)
SIGNAL 025	CAVS/CAVUS 0.22~0.5mm ² AVSS/AVSSH 0.3~0.5mm ²

THIS DRAWING IS A CONTROLLED DOCUMENT.

DIMENSIONS: 単位: mm	TOLERANCES UNLESS OTHERWISE SPECIFIED: 公差: mm	OWN CHK N. SAI APVD N. SAI	OBMAROO IOMAROO IOMAROO
MATERIAL HOUSING: SEE TABLE CONTACT: BRASS	FINISH	WEIGHT SEE TABLE	RESTRICTED TO

STE TE Connectivity
 PRODUCT SPEC: 108-5668 108-5668 108-5931
 APPLICATION SPEC
 SIZE: A1 CAGE CODE: 00779 DRAWING NO: 1318384
 SHEET 1 OF 3 REV: C5
 Customer Drawing

4

3

2

1

THIS DRAWING IS UNPUBLISHED.

RELEASED FOR PUBLICATION

2011

LOC

DIST

REVISIONS

© COPYRIGHT 2011

ALL RIGHTS RESERVED.

J

P

LTR

DESCRIPTION

DATE

DWN

APVD

SEE SHEET 1

46.2 REF

49.4 REF

24.5 REF

15.8 REF

17.2 REF

CAP HOUSING ASSEMBLY

PLUG HOUSING ASSEMBLY

CAP ASSEMBLY & PLUG ASSEMBLY ENGAGEMENT DRAWING
 キャップアッセンブリ & プラグアッセンブリ 嵌合図

THIS DRAWING IS A CONTROLLED DOCUMENT.

DIMENSIONS:
単位: 耗
mm

TOLERANCES UNLESS
OTHERWISE SPECIFIED:
±0.3

一般公差 ±0.3
 0-PLC ±0.3
 1-PLC ±0.3
 2-PLC ±0.3
 3-PLC ±0.3
 4-PLC ±0.3
 ANGLES ±

MATERIAL
材料
SEE SHEET 1 OF 3

FINISH
仕上
SEE SHEET 1 OF 3

DWN 08MAR00

CHK N. YASUDA

10MAR00

CHK N. SAI

10MAR00

APVD N. SAI

10MAR00

PRODUCT SPEC

SEE SHEET 1 OF 3

APPLICATION SPEC

SEE SHEET 1 OF 3

WEIGHT SEE SHEET 1 OF 3

NAME
名称 025 SERIES 40P (PCB H-TYPE)
CAP HSG ASSY

SIZE

CAGE CODE

DRAWING NO

番号

RESTRICTED TO

A3

00779

G=

1318384

CUSTOMER DRAWING

SCALE
尺度 4:1

SHEET 3 OF 3

REV C5

1470-19 (3/11)

Downloaded From Onevac.com

单击下面可查看定价，库存，交付和生命周期等信息

[>>TE Connectivity\(泰科\)](#)