

Dual-Channel CC/CV Mode

Synchronous Step-Down Converter

DESCRIPTION

The EUP3468A is a dual-channel synchronous step-down converter capable of driving 5A continuous load with excellent line and load regulation. The EUP3468A operates in either CC (Constant Current) mode or CV (Constant Voltage) mode with an input voltage range from 8V to 36V. The EUP3468A can be configured as single output or dual outputs with independent programmable CC threshold for current limitation. The EUP3468A provides programmable cable compensation by adjusting external resistor divider. External shutdown function can be controlled by pulling COMP pin to a level below 0.14V.

Fault protection includes secondary cycle-by-cycle current limit, short circuit protection and thermal shutdown. Internal soft-start minimizes the inrush supply current and the output overshoot at initial startup.

The EUP3468A is available in SOP-8 (EP) package.

FEATURES

- 8V to 36V Wide Input Operating Range
- 40V Input Voltage Surge
- 80kHz~800kHz Switching Frequency Selection
- Dual Channel CC/CV Mode Control
- Up to 5A Output Current
- +/- 1.5% Voltage Reference Accuracy
- +/- 4% Constant Current Accuracy
- Programmable Cable Compensation
- Internal Soft Start
- Single Pin to External Compensation and Shutdown Control
- Hiccup Short Circuit Protection
- Secondary Cycle-by-Cycle Current Limit
- Thermal Shutdown
- Available in SOP-8 (EP) Package
- RoHS Compliant and 100% Lead(Pb)-Free Halogen-Free

APPLICATIONS

- Car Charger
- Portable charger applications
- DC/DC converters with current limited

Typical Application Circuit

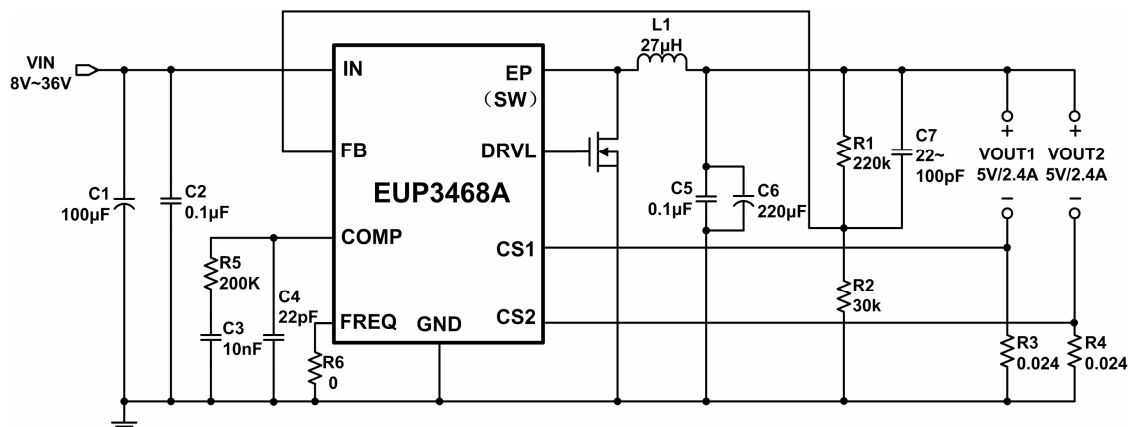


Figure 1. Application Circuit

单击下面可查看定价，库存，交付和生命周期等信息

[>>EUTECH\(台湾德信\)](#)