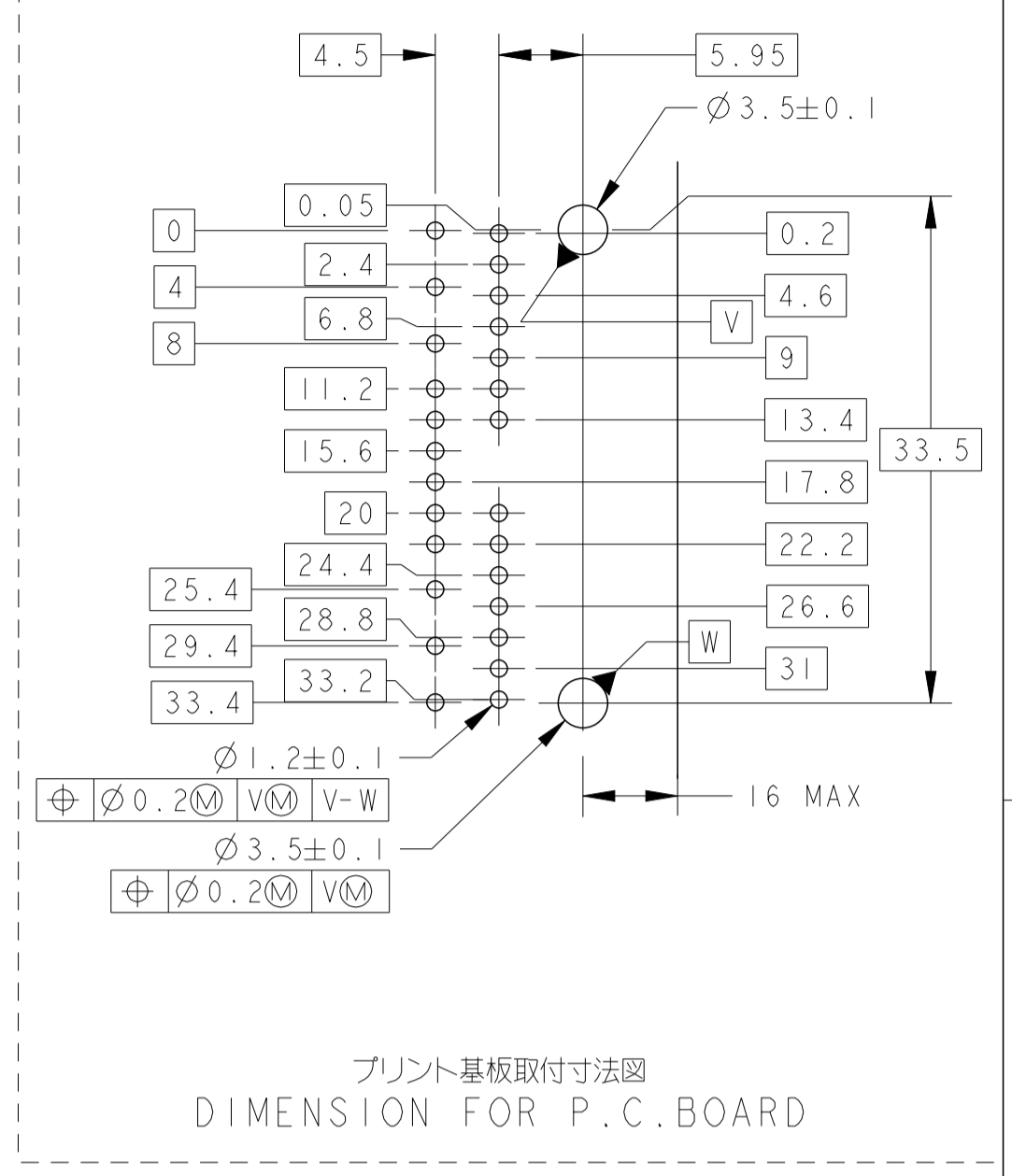
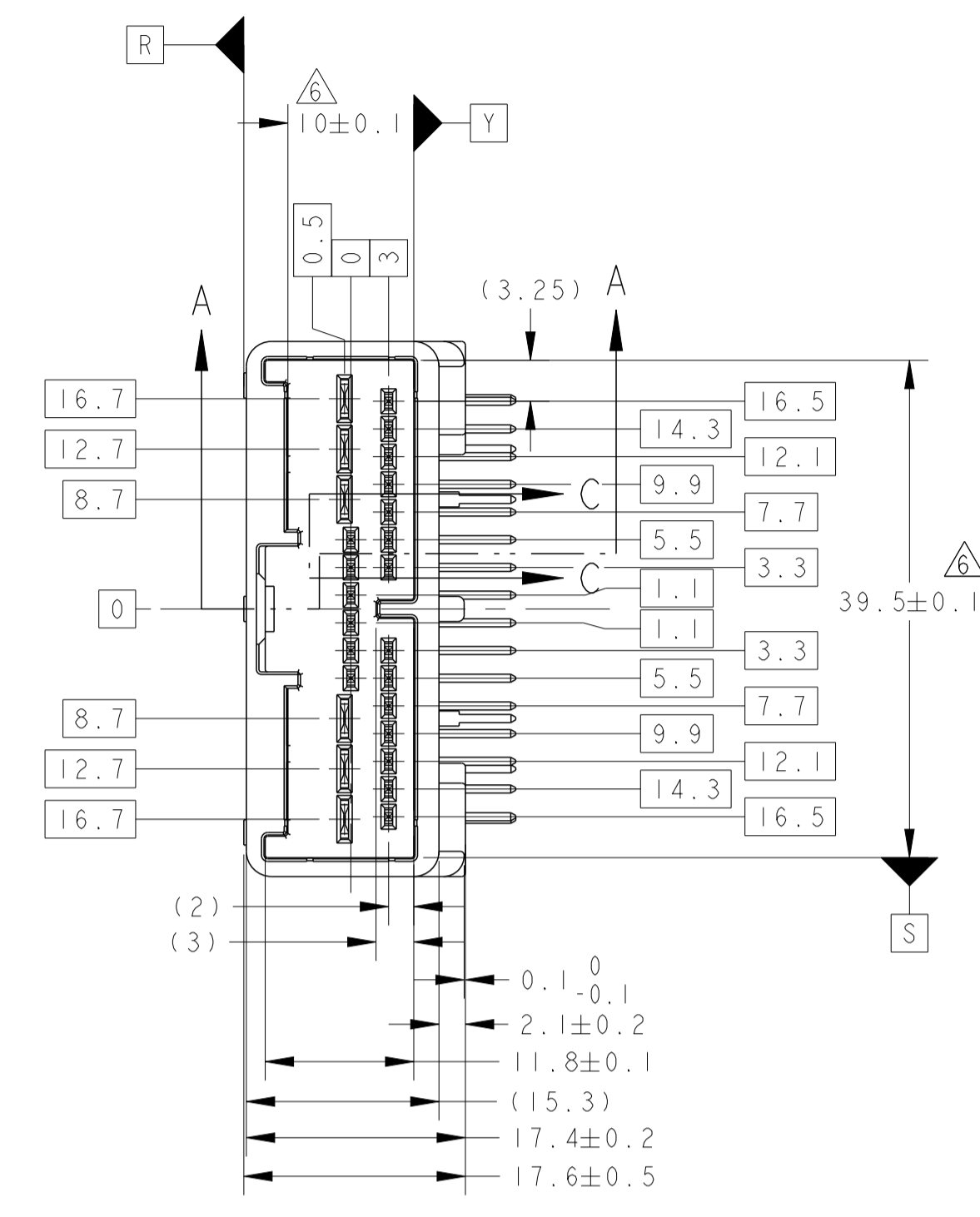
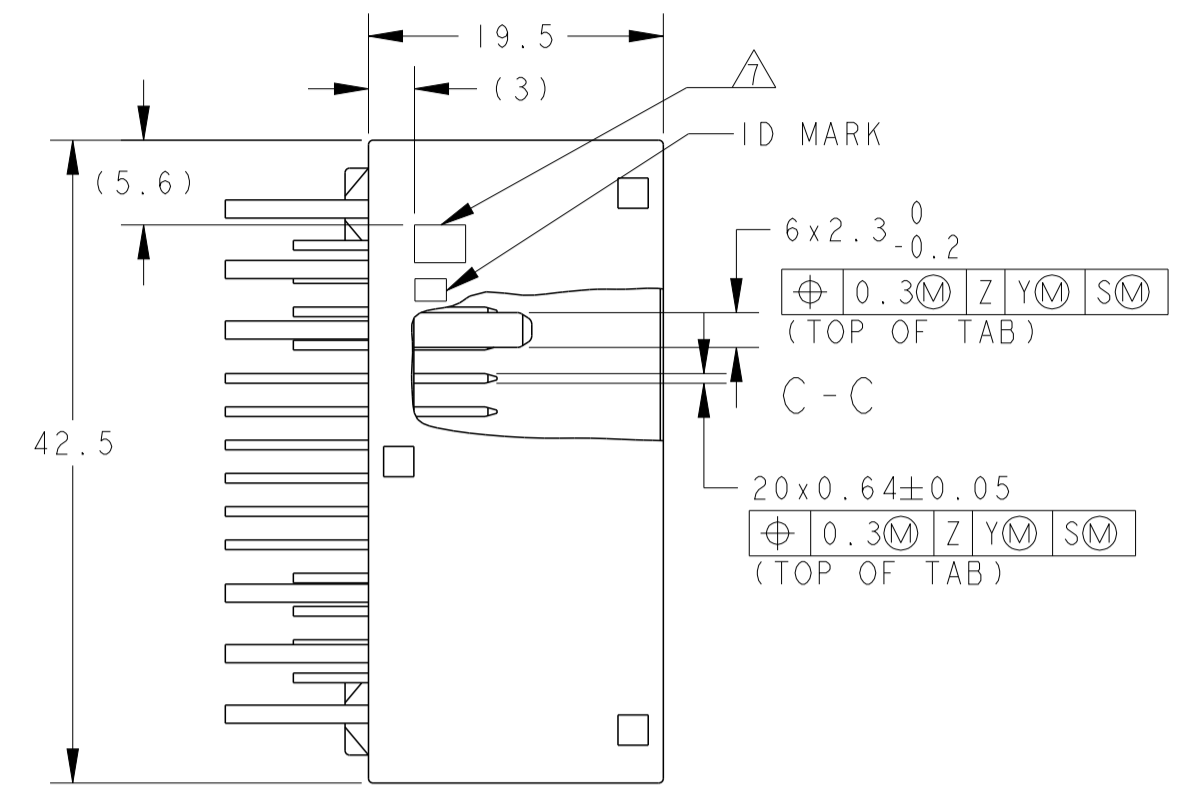
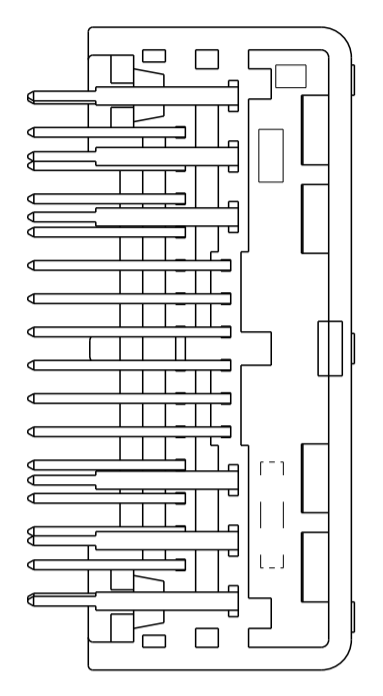
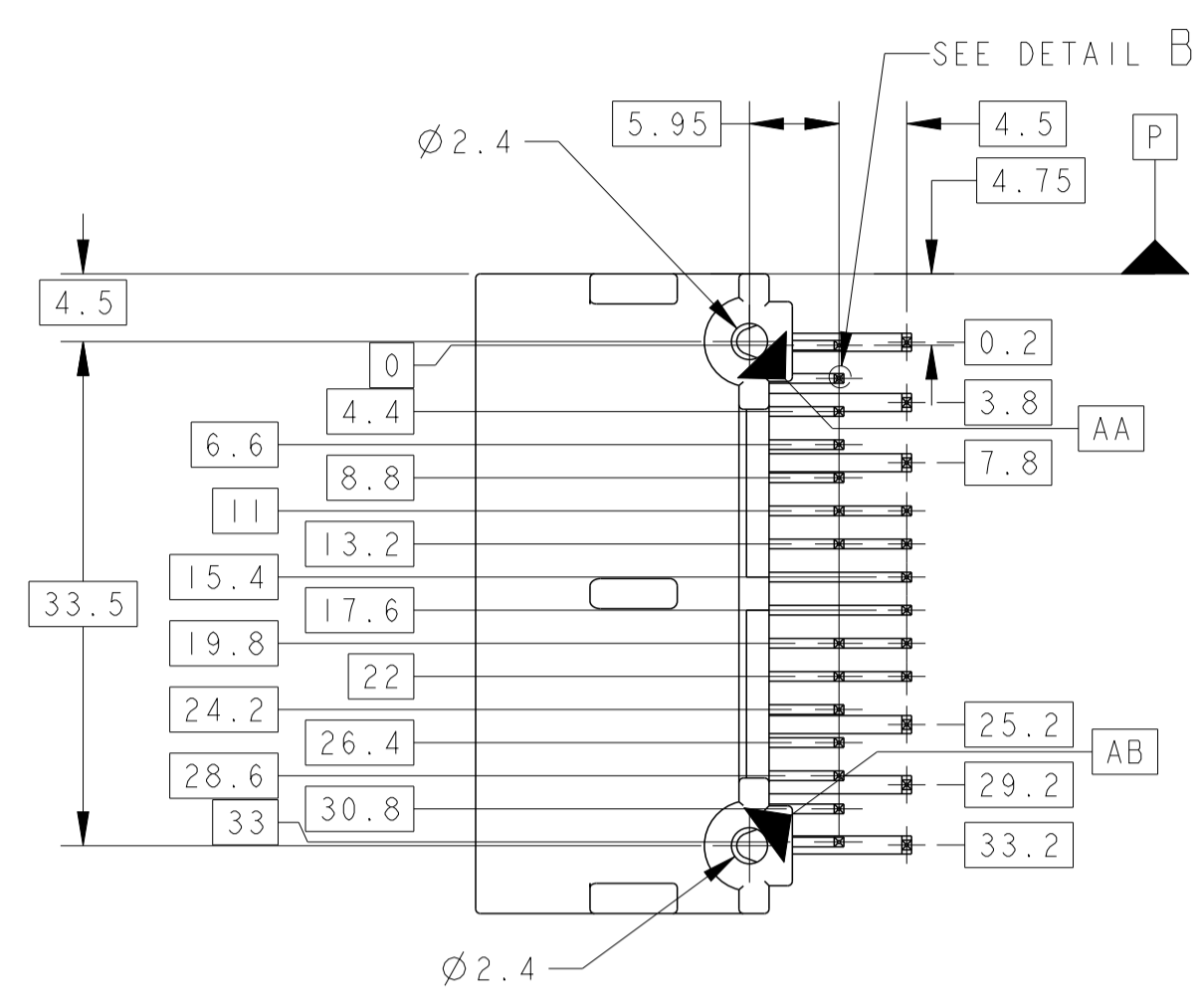
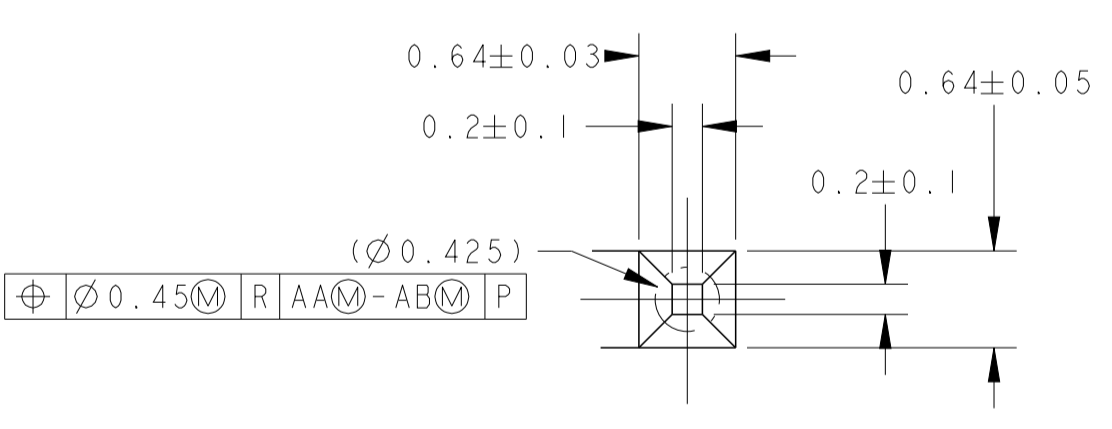
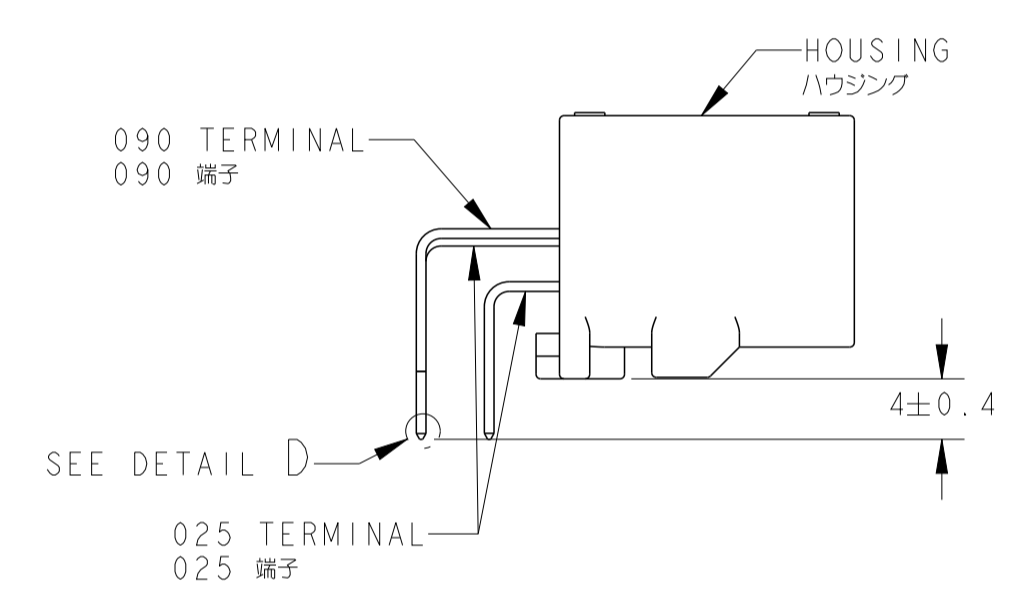
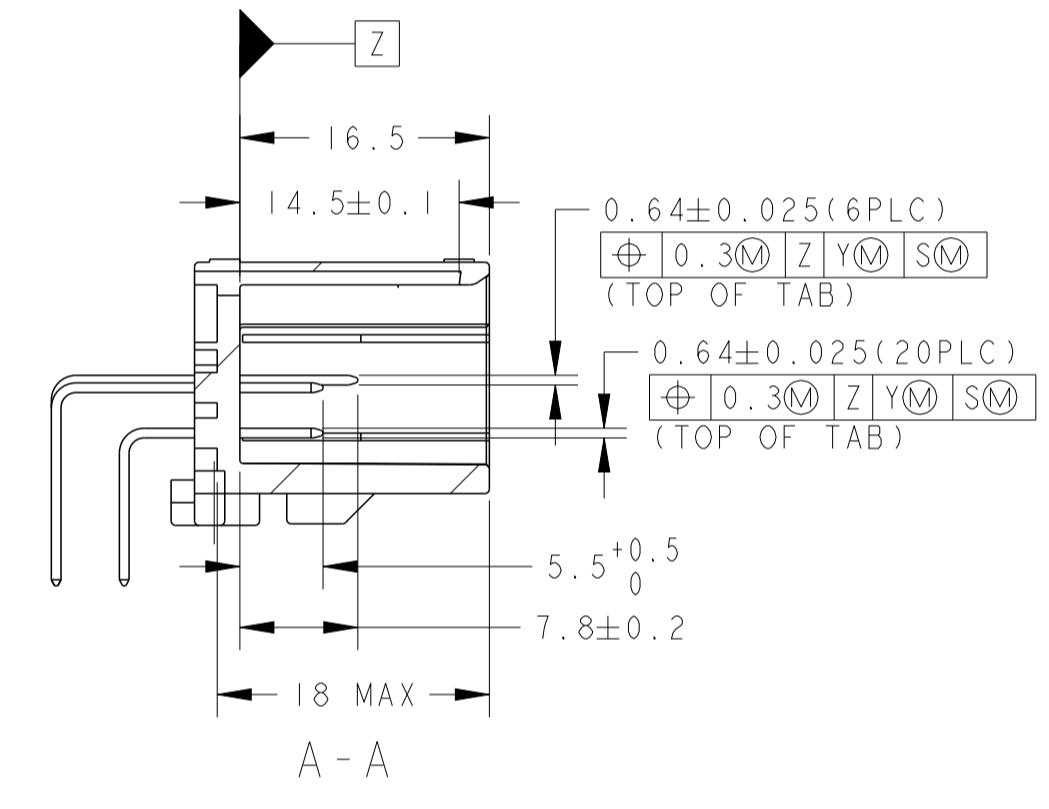


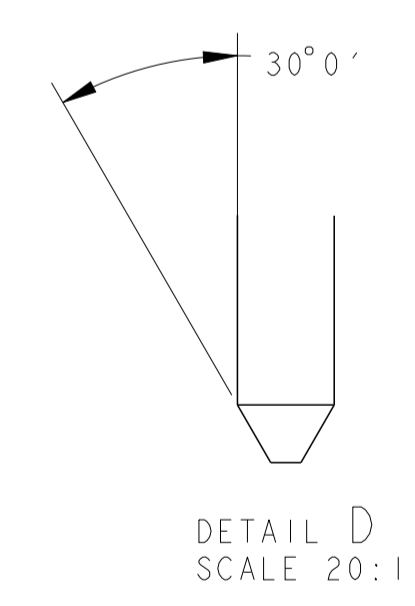
| REV. NO. | DATE | BY | CHK | APPV |
|----------|-----------|----|-----|------|
| A1 | 31OCT07 | YS | HY | HY |
| A2 | 11NOV13 | YS | TK | TK |
| A3 | 28MAR16 | TM | KK | KK |
| A4 | 31OCT2016 | KF | HY | HY |



プリント基板取付寸法図
 DIMENSION FOR P.C. BOARD



DETAIL B
 SCALE 20:1



1. 嵌合相手コネクタ品番: 1376360
- △. 回路番号: FIG. 1 参照
3. 適用ねじ: JIS B1115, B1122タッピングねじ. なべ2種. 呼び径3. 長さはTABLE-2参照
4. ねじ締付トルク(参考): 0.392N・m MAX. 但し. 管理値は別途規定すること
5. 本製品の取扱は取扱説明書 No. 411-5927に従うこと
- △. Zより8mmの位置で測定.
- △. コンタクト仕上識別用マーク

1. MATING CONNECTOR PART NO.: 1376360
- △. CIRCUIT NUMBER: SEE FIG. 1
3. APPLICABLE SCREW: PAN-HEADED, TYPE2 TAPPING SCREW OF NOMINAL DIAMETER 3mm REFER TO JIS B1115, B1122 LENGTH: SEE TABLE-2
4. FASTENING TORQUE (FOR REFERENCE): 0.392N・m MAX BUT TORQUE FOR OPERATION SHOULD BE PROVIDED RESPECTIVELY
5. HANDLING OF THIS PART SHOULD FOLLOW INSTRUCTION SHEET No. 411-5927
- △. MEASURED AT 8mm FROM Z
- △. MARKING FOR DESCERMENT OF THE CONTACT FINISH

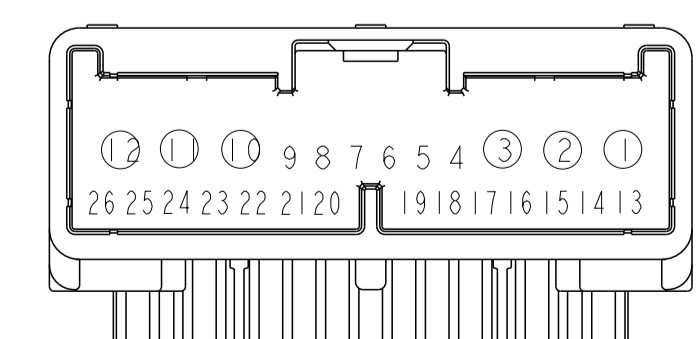


TABLE-1

| TABLE-1 | SEE DWG 1376357-8 | 2-1376357-0 |
|-------------------|-------------------|-------------|
| SEE DWG 1376357-8 | SEE DWG 1376357-8 | 1-1376357-9 |
| SEE DWG 1376357-8 | SEE DWG 1376357-8 | 1-1376357-8 |
| SEE DWG 1376357-8 | SEE DWG 1376357-8 | 1-1376357-7 |
| SEE DWG 1376357-8 | SEE DWG 1376357-8 | 1-1376357-4 |
| SEE DWG 1376357-8 | SEE DWG 1376357-8 | 1-1376357-3 |
| SEE DWG 1376357-8 | SEE DWG 1376357-8 | 1-1376357-2 |
| SEE DWG 1376357-8 | SEE DWG 1376357-8 | 1-1376357-1 |
| SEE DWG 1376357-8 | SEE DWG 1376357-8 | 1-1376357-0 |
| SEE DWG 1376357-8 | SEE DWG 1376357-8 | 1376357-9 |
| SEE DWG 1376357-8 | SEE DWG 1376357-8 | 1376357-8 |

| CARTON BOX | PLASTIC TUBE | 62 | SELECTIVE-TIN (MATTE) | - | 1~3 10~12 | 18~23 | - | 4~9 13~17, 24~26 | NATURAL 自然色 | 6376357-4 | |
|-----------------------|----------------------------|----|-----------------------|-------------------------|-------------------------|--------------------|---------------------|---------------------|--------------------|-------------|-------------------|
| PLASTIC BOX 通い箱 | PLASTIC TUBE プラスチックチューブ | 62 | SELECTIVE-TIN (MATTE) | - | 1~3 10~12 | 18~23 | - | 4~9 13~17, 24~26 | NATURAL 自然色 | 6376357-2 | |
| CARTON BOX タンポ-ル箱 | PLASTIC TUBE プラスチックチューブ | 7 | SELECTIVE-TIN (MATTE) | - | 1~3 10~12 | 4~9 18~23 | - | 13~17, 24~26 | NATURAL 自然色 | 1-1376357-6 | |
| PLASTIC BOX 通い箱 | PLASTIC TUBE プラスチックチューブ | 7 | SELECTIVE-TIN (MATTE) | - | 1~3 10~12 | 4~9 18~23 | - | 13~17, 24~26 | NATURAL 自然色 | 1-1376357-5 | |
| CARTON BOX タンポ-ル箱 | PLASTIC TUBE プラスチックチューブ | 2 | PRE-TIN TIN-LEAD | 1~3 10~12 | - | 18~23 | 4~9 13~17, 24~26 | - | NATURAL 自然色 | 1376357-4 | |
| CARTON BOX タンポ-ル箱 | PLASTIC TUBE プラスチックチューブ | 1 | PRE-TIN | 1~3 10~12 | - | - | 4~9 13~26 | - | NATURAL 自然色 | 1376357-3 | |
| PLASTIC BOX 通い箱 | PLASTIC TUBE プラスチックチューブ | 1 | PRE-TIN | 1~3 10~12 | - | - | 4~9 13~26 | - | NATURAL 自然色 | 1376357-1 | |
| OUTER 分装 | INNER 内装 | | | | | | | | | | |
| PACKING STYLE 梱包形態 | | | MARKING マーキング | SOLDERING SIDE 半田付け側 | PRE-TIN △ | SELECTIVE-TIN △ | SELECTIVE GOLD △ | PRE-TIN △ | SELECTIVE-TIN △ | COLOR 色 | PART NUMBER 型番 |
| | | | | | CONTACT SIDE 接触面側 | | | | | | |
| | | | | | CONTACT FINISH 端子仕上げ | | | | | | |

THIS DRAWING IS A CONTROLLED DOCUMENT. DWN R. NAGAI 14OCT2000
 CHK T. HAYASHI 14OCT2000
 APVD N. SAI 14OCT2000

DIMENSIONS: 単位: mm TOLERANCES UNLESS OTHERWISE SPECIFIED: 公差: ±0.3

| | |
|--------------|-----------------------|
| 0-PLC ±0.3 | PRODUCT SPEC 108-5667 |
| 1-PLC ±0.3 | APPLICATION SPEC |
| 2-PLC ±0.3 | 114-5250 |
| 3-PLC ±0.3 | ANGLE ±3°00' |
| 4-PLC ±0.001 | FINISH |

MATERIAL: PBT-BRASS SEE TABLE-1 WEIGHT: 9.93 g

SIZE: A1 CAGE CODE: 00779 DRAWING NO: 1376357

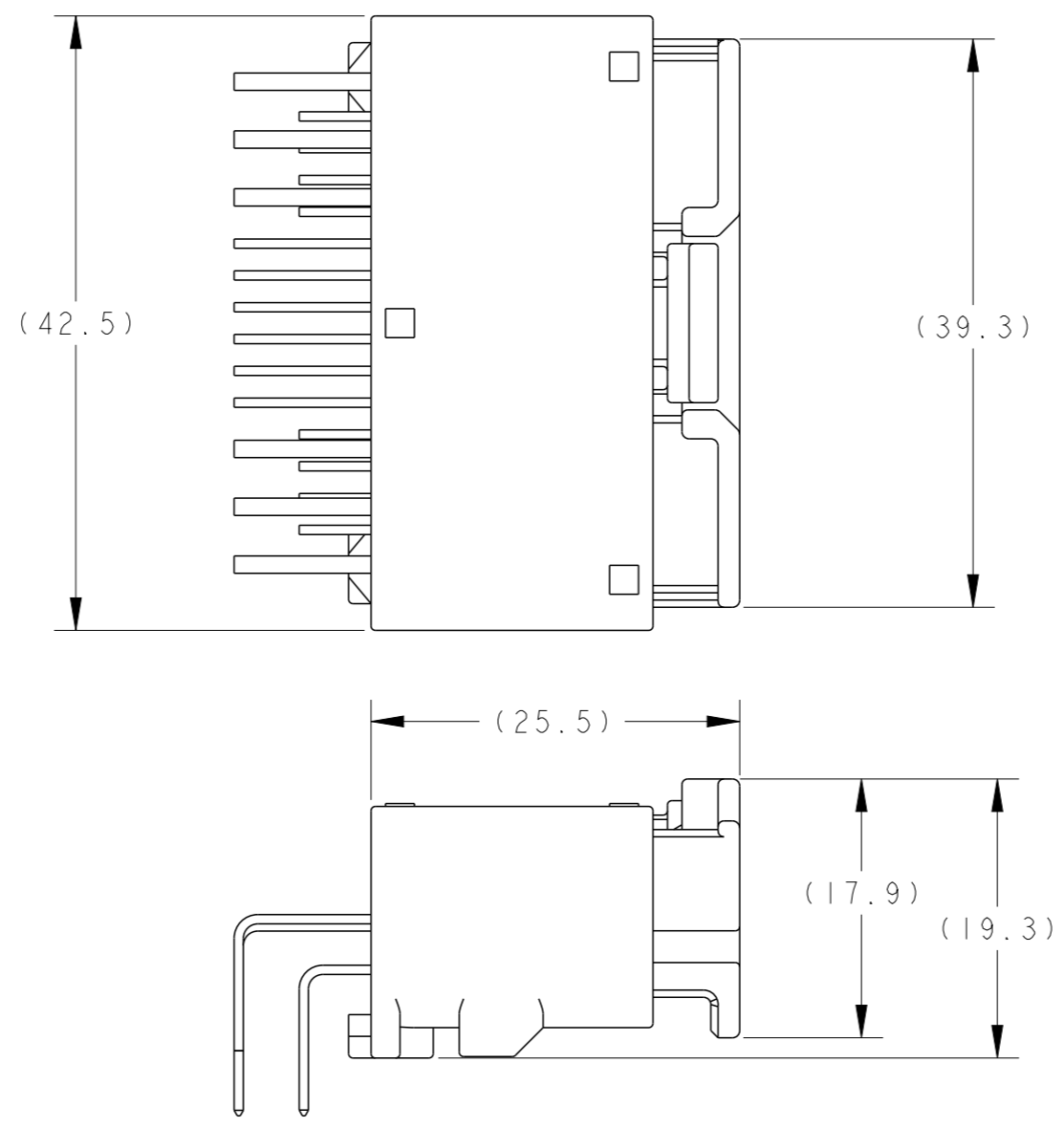
CUSTOMER DRAWING SHEET 2:1 1 OF 2 REV. A4

TE Connectivity
 025/090 SERIES CONNECTOR
 26POSITION CAP HOUSING ASSEMBLY


THIS DRAWING IS UNPUBLISHED. RELEASED FOR PUBLICATION NOV. 2013

© COPYRIGHT 2013 ALL RIGHTS RESERVED.

| LOC | DIST | REVISIONS | | | |
|-----|------|-------------|------|-----|------|
| P | LTR | DESCRIPTION | DATE | DWN | APVD |
| J | — | SEE 1 OF 2 | | | |



CAP ASSEMBLY AND PLUG ASSEMBLY ENGAGEMENT DRAWING
 キャップアッセンブリー & プラグアッセンブリー 嵌合図

| | | | | |
|--|--|-----------------------------|---|-----------------------|
| THIS DRAWING IS A CONTROLLED DOCUMENT. | | DWN R. NAGAI 14OCT2000 |  TE Connectivity | |
| DIMENSIONS: mm | | CHK T. HAYASHI 14OCT2000 | | |
| TOLERANCES UNLESS OTHERWISE SPECIFIED: 一般公差 = ± 0.3 | | APVD N. SAI 14OCT2000 | NAME 025/090 SERIES CONNECTOR 26POSITION CAP HOUSING ASSEMBLY | |
| 0 PLC ± 1 PLC ±0.1 2 PLC ±0.01 3 PLC ±0.001 4 PLC ±0.0001 ANGLES ±3'00" | | PRODUCT SPEC SEE 1 OF 2 | RESTRICTED TO — | |
| MATERIAL SEE 1 OF 2 | | APPLICATION SPEC SEE 1 OF 2 | SIZE A3 | CAGE CODE 00779 |
| FINISH SEE 1 OF 2 | | WEIGHT SEE 1 OF 2 | DRAWING NO. C=1376357 | DRAWING NO. C=1376357 |
| CUSTOMER DRAWING | | | SCALE 2:1 | SHEET 2 OF 2 |
| | | | REV A4 | |

单击下面可查看定价，库存，交付和生命周期等信息

[>>TE Connectivity\(泰科\)](#)