



RoHS Compliant

## Features

- 0402 Size. Rated current up to 2A MAX.
- Effective for filtering noise on power (Vcc) lines.

## Applications

- PCs, Laser Printers, Cellular Phone, Power/ Signal Lines for LCD Display, Office Equipments
- AV Power Supply/ Signal Line, TV, VCR, etc.
- High Current Signal Lines

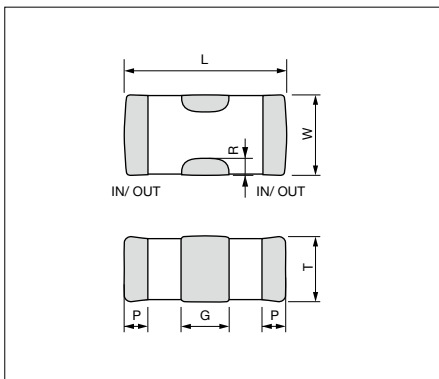
## How to Order

**KNH** **05** **X5R** **435** **M** **04** **A** **H**  
 ① ② ③ ④ ⑤ ⑥ ⑦ ⑧

① Series	
② Size	<b>05</b> 0402
③ High Dielectric Constant Type	<b>X5R</b> ΔC: ±15%
④ Capacitance	<b>435</b> 4,300,000pF <b>106</b> 10,000,000pF
⑤ Tolerance	<b>M</b> ±20%
⑥ Voltage	<b>04</b> 4Vdc
⑦ Termination	<b>A</b> Plating
⑧ Packaging	<b>H</b> Taping (7" Reel Taping & 2mm Cavity pitch) / 10,000pcs/ Reel

## Dimensions

(Unit: mm)



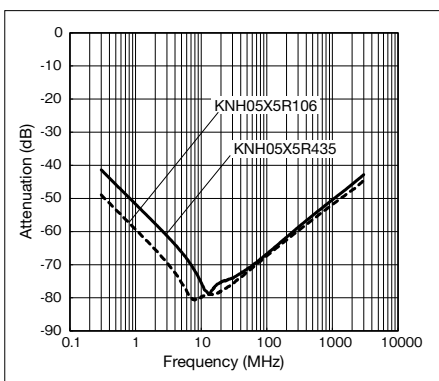
CODE	L	W	T
KNH05X5R435	1.00±0.10	0.50±0.20	0.50 max.
KNH05X5R106	1.00±0.20	0.50±0.20	0.50±0.20
CODE	G	P	R
KNH05X5R435	0.30±0.10	0.15±0.10	≥0.05
KNH05X5R106	0.30±0.10	0.15±0.10	≥0.05

## Specifications

Part Number	Capacitance	Rated Current	Operating Temperature
KNH05X5R435M04AH	4,300,000pF	2.0A	-55 to +85°C
KNH05X5R106M04AH	10,000,000pF	2.0A	

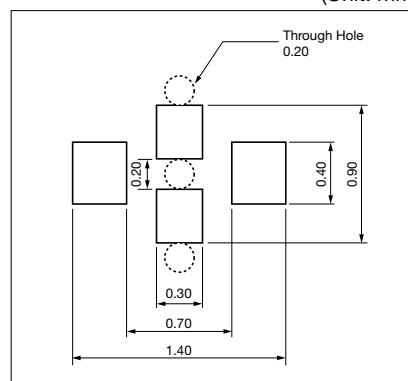
- Storage condition  
 Temperature: -10 to +45°C  
 Humidity: 45 to 75%RH

## Attenuation Characteristics



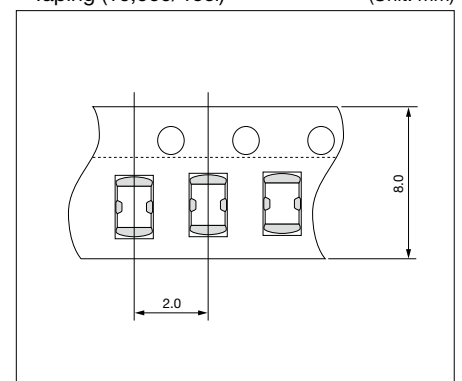
## Recommended Land Pattern

(Unit: mm)



## Packaging Specification

- Taping (10,000/ reel) (Unit: mm)



单击下面可查看定价，库存，交付和生命周期等信息

[>>Kyocera\(京瓷\)](#)