

THIS DRAWING IS UNPUBLISHED.

RELEASED FOR PUBLICATION

ALL RIGHTS RESERVED.

© COPYRIGHT - By -

LOC J

DIST -

REVISIONS

変更

DESCRIPTION

DATE

DWN

APVD

P

LTR

C4 REVISED

ECR-13-017347

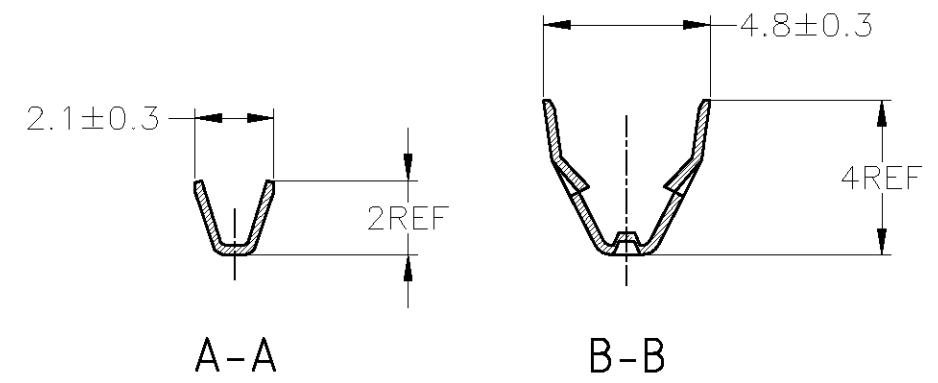
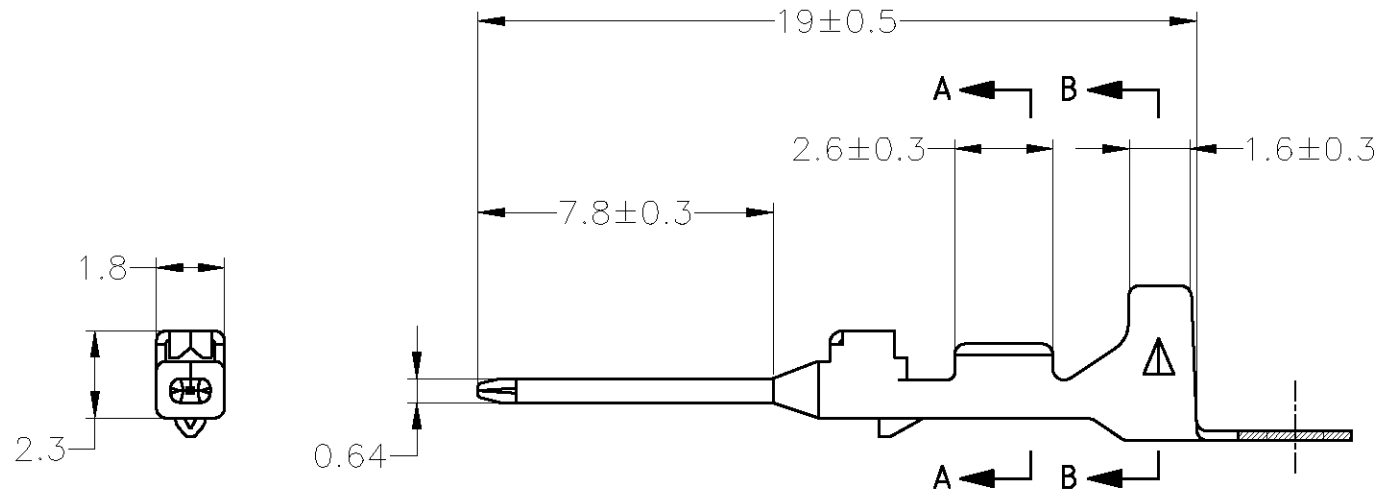
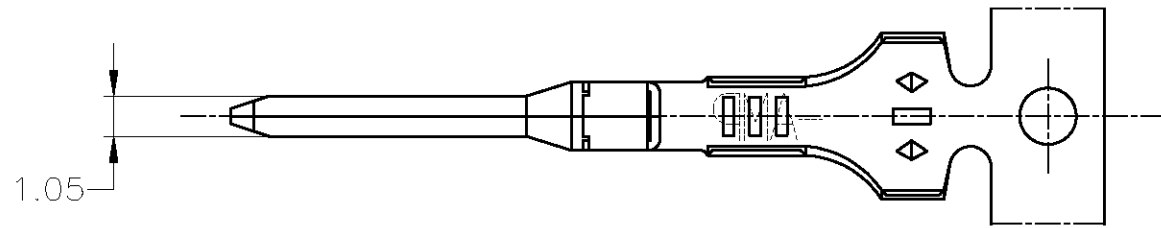
07NOV2013

TS

KB

-1: AS SHOWN

本図



- 1. 相手側端子型番 : 173681
- 2. パラ状端子型番 : 175063

- 1. MATING RECEPTACLE NUMBER; 173681
- 2. LOOSE PIECE NUMBER: 175063

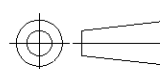
TOLERANCE UNLESS OTHERWISE SPECIFIED: 一般公差

0 < x ≤ 10	: ±0.2
10 < x ≤ 30	: ±0.25
30 < x ≤ 100	: ±0.3
ANGLE ; 角度	: ±3°

THIS DRAWING IS A CONTROLLED DOCUMENT.

DIMENSIONS: 単位: 耗 mm

TOLERANCES UNLESS OTHERWISE SPECIFIED: 一般公差



0 PLC	± -
1 PLC	± -
2 PLC	± -
3 PLC	± -
4 PLC	± -
ANGLES	± -

MATERIAL 材料 BRASS THICKNESS 黄銅、板厚: 0.25

FINISH 仕上 PRE-TINNED 錫めっき済

DWN M.SUGAWARA 10JAN07

CHK K.BETSUI 10JAN07

APVD K.BETSUI 10JAN07

PRODUCT SPEC 製品規格

APPLICATION SPEC 取付適用規格

114-5108

WEIGHT 0.21g

CUSTOMER DRAWING



NAME 名称

040 SERIES TAB CONTACT

SIZE

CAGE CODE

DRAWING NO 番号

RESTRICTED TO

A300779

C-173682

SCALE 尺度 5:1

SHEET 1 OF 1

REV C4

单击下面可查看定价，库存，交付和生命周期等信息

[>>TE Connectivity\(泰科\)](#)