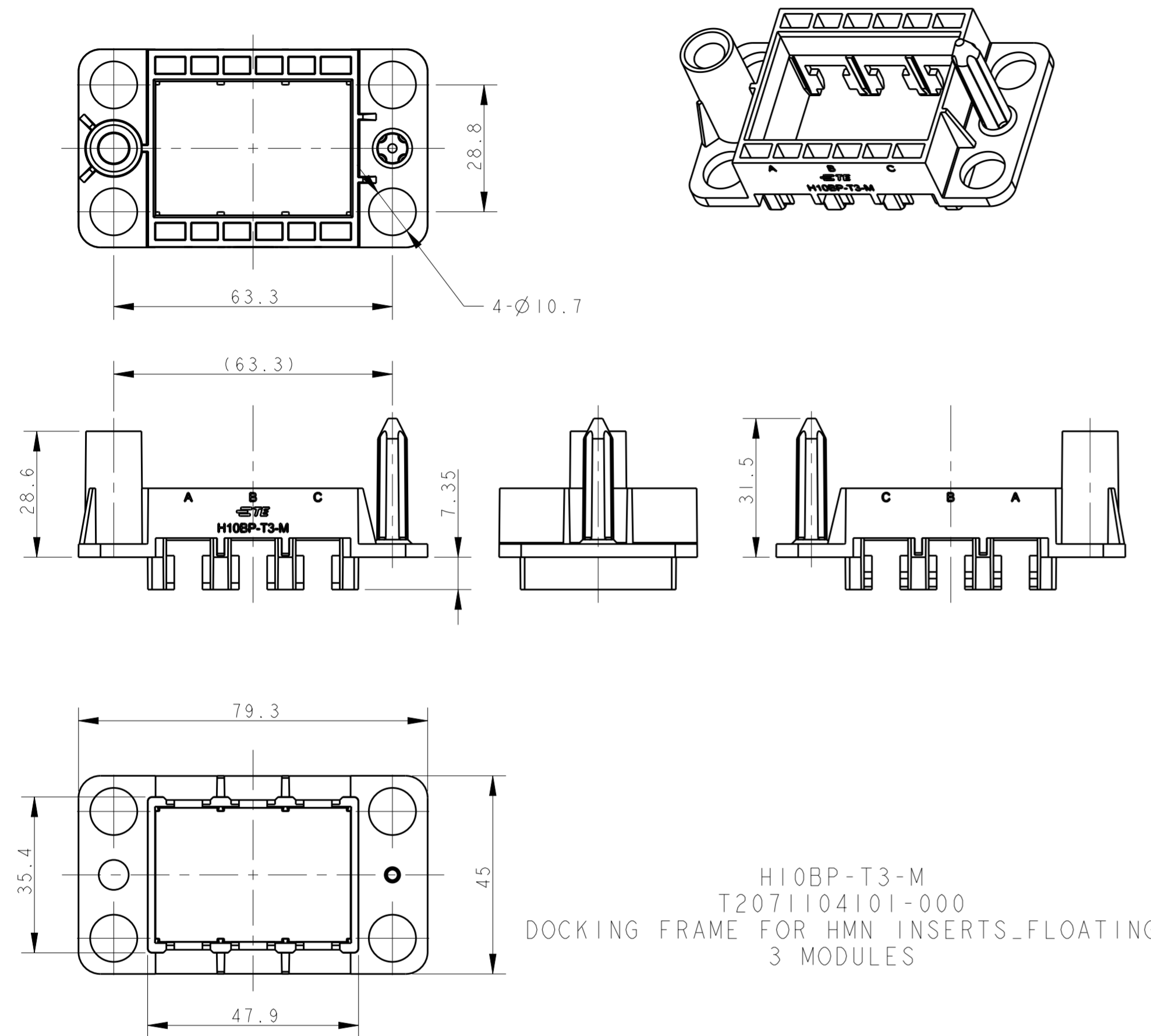


THIS DRAWING IS UNPUBLISHED. RELEASED FOR PUBLICATION 20  
 © COPYRIGHT 20 BY - ALL RIGHTS RESERVED.

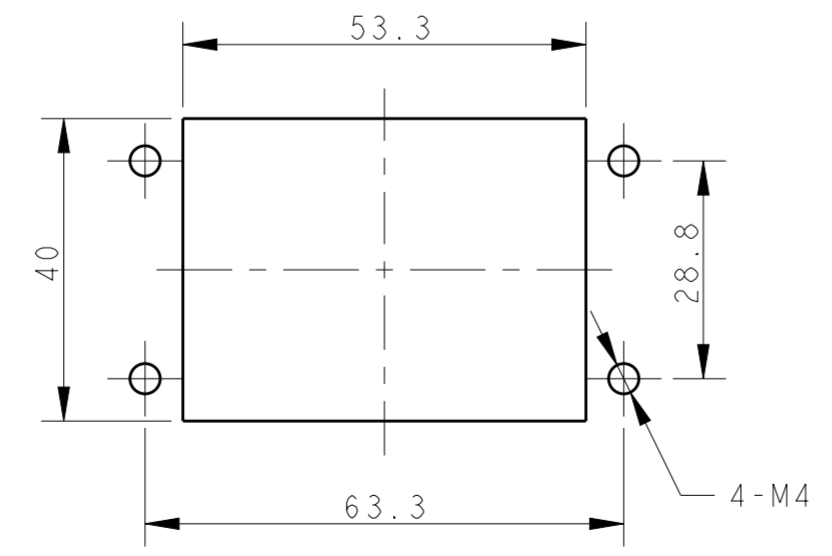
REVISIONS				
P	LTR	DESCRIPTION	DATE	APVD
A		INITIAL RELEASE	30DEC2015	DL CW



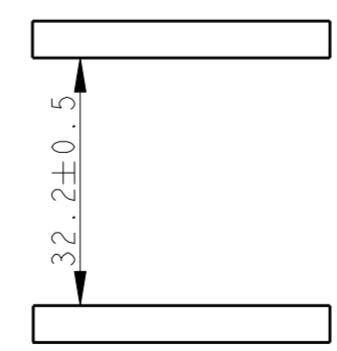
H10BP-T3-M  
 T2071104101-000  
 DOCKING FRAME FOR HMN INSERTS\_FLOATING  
 3 MODULES

NOTES:  
 1. TECHNICAL CHARACTERISTICS:  
 INSULATION MATERIAL: PC  
 FLAMMABILITY: UL94V-0  
 MATING CYCLES: 500

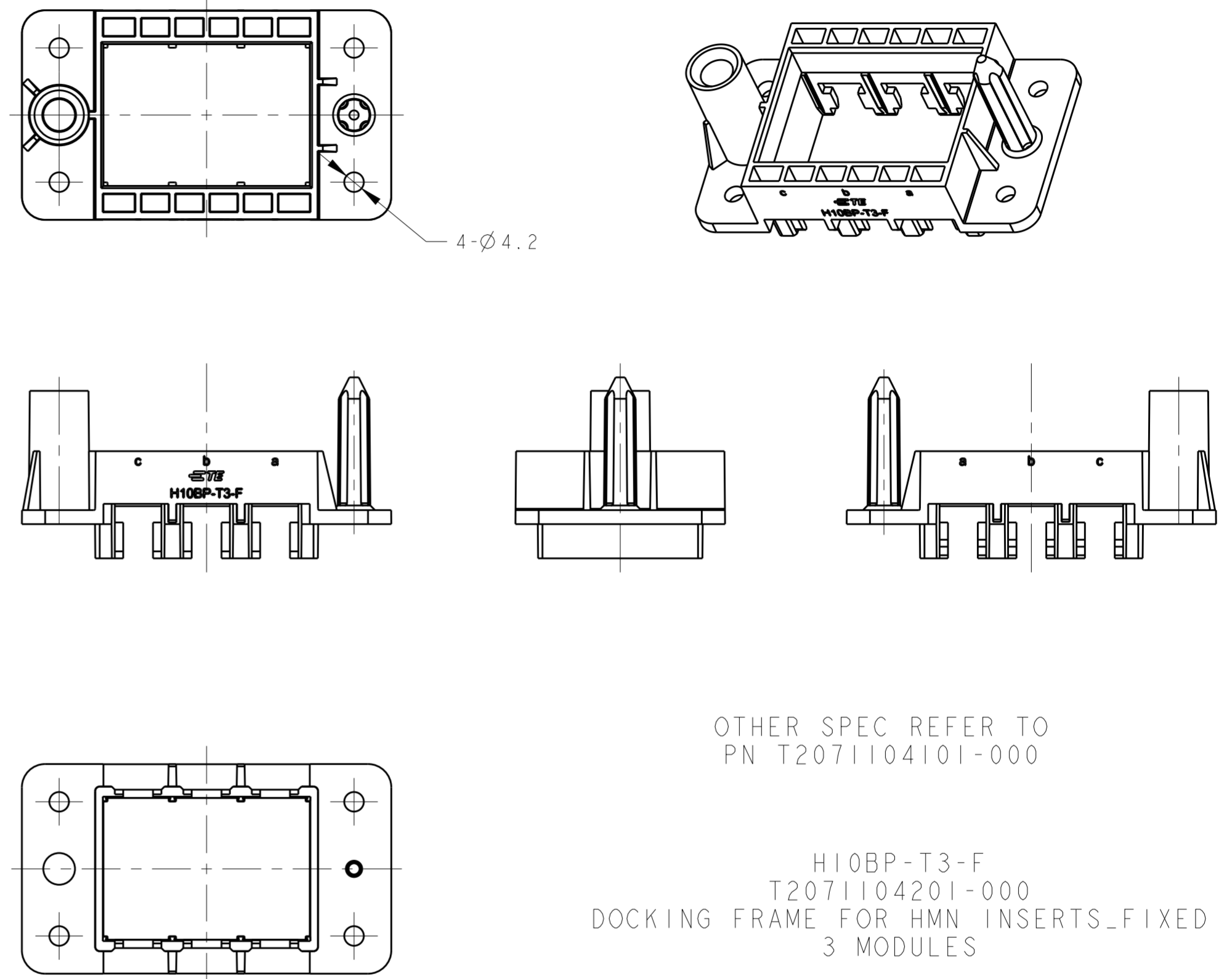
注释:  
 1. 技术参数:  
 绝缘材料: PC  
 阻燃等级: UL94V-0  
 插拔次数: 500次



PANEL CUT OUT



SPACING OF TWO PANELS  
 AT CLOSE STATUS



OTHER SPEC REFER TO  
 PN T2071104101-000  
 H10BP-T3-F  
 T2071104201-000  
 DOCKING FRAME FOR HMN INSERTS\_FIXED  
 3 MODULES

T2071104201-000	H10BP-T3-F DOCKING FRAME FOR HMN INSERTS_FIXED HMN 塑胶框架_固定端
T2071104101-000	H10BP-T3-M DOCKING FRAME FOR HMN INSERTS_FLOATING HMN 塑胶框架_浮动端
PART NUMBER 料号	PART DESCRIPTION 描述

THIS DRAWING IS A CONTROLLED DOCUMENT.		DWN DAVID LI 30DEC2015	TE Connectivity	
DIMENSIONS: mm		CHK CHRIS WANG 30DEC2015		
TOLERANCES UNLESS OTHERWISE SPECIFIED:		APVD XU XIANG 30DEC2015		
0 PLC ± 1 PLC ± 2 PLC ± 3 PLC ± 4 PLC ± ANGLES ± FINISH -		NAME H10BP-T3-M/F DOCKING FRAME FOR HMN INSERTS 3 MODULES SIZE A2 CAGE CODE - DRAWING NO. G-T2071104X01000 RESTRICTED TO - SCALE 1:1 SHEET OF REV A		
MATERIAL -		PRODUCT SPEC 108-137168	CUSTOMER DRAWING	
MATERIAL -		APPLICATION SPEC 114-137168	SCALE 1:1 SHEET OF REV A	

单击下面可查看定价，库存，交付和生命周期等信息

[>>TE Connectivity\(泰科\)](#)