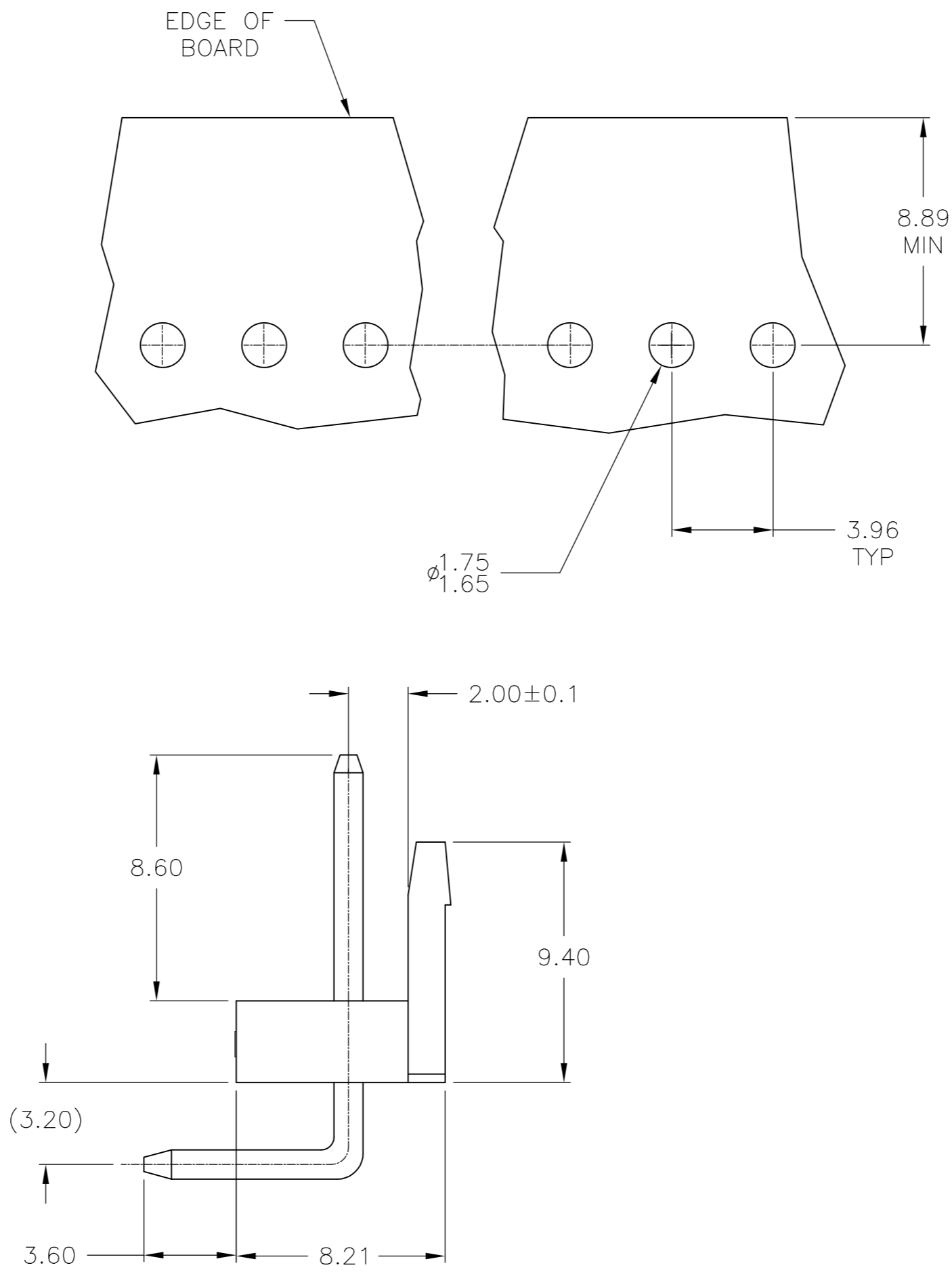
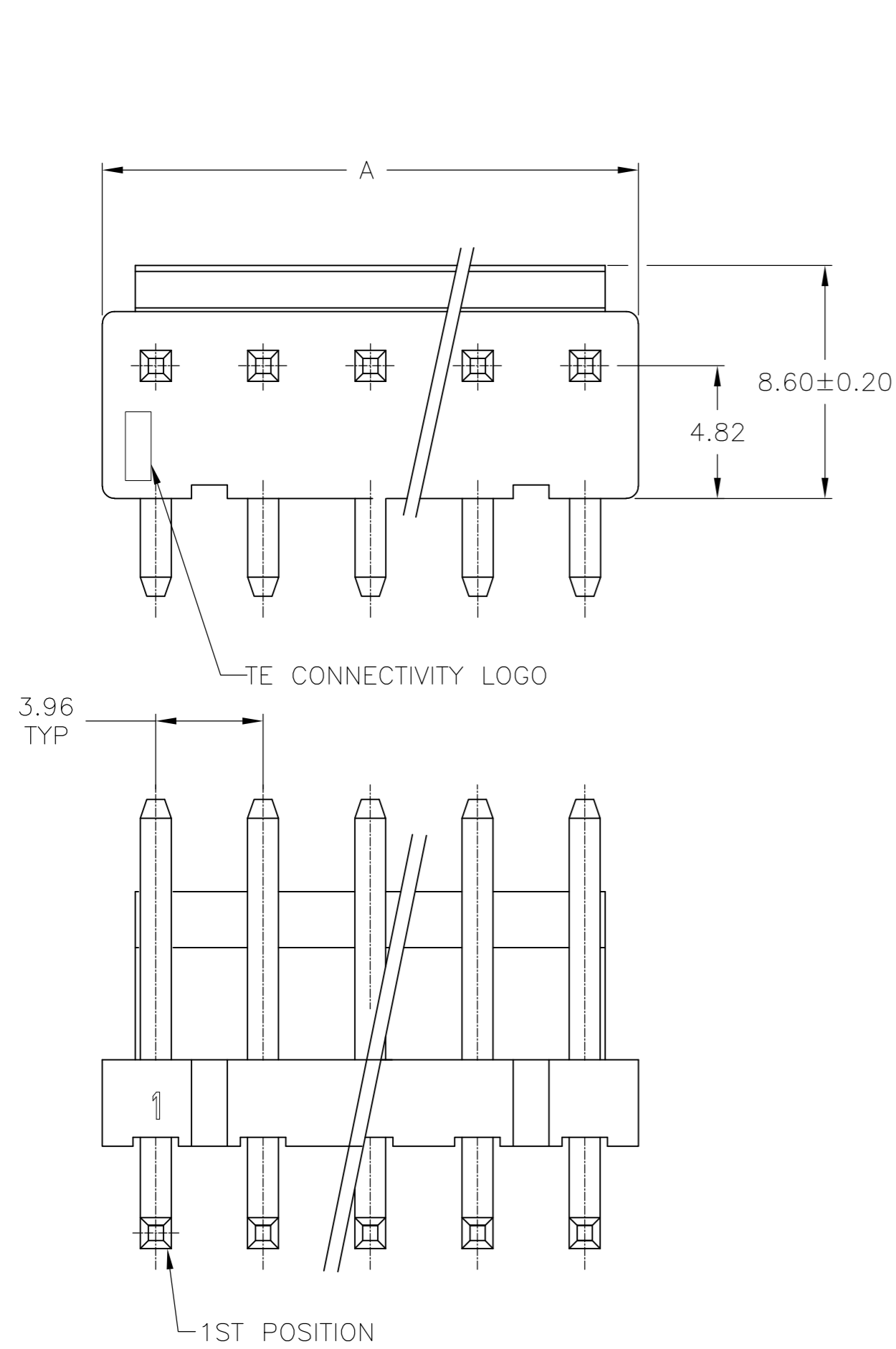


THIS DRAWING IS UNPUBLISHED. RELEASED FOR PUBLICATION
 © COPYRIGHT - By - ALL RIGHTS RESERVED.

| REVISIONS | | | | |
|-----------|-----|---------------------------|---------|---------|
| P | LTR | DESCRIPTION | DATE | APVD |
| B1 | | REVISED PER ECR-16-017535 | 19JAN17 | O.C D.Z |



- MATERIAL :
HOUSING : THERMOPLASTIC Nylon66UL94V-0.
WHITE COLOR.
CONTACT : BRASS.
- FINISH:
CONTACT : 80u" MIN. TIN PLATED ON CONTACT AREA.

| | | |
|-----------------|----|-------------|
| 47.52 | 12 | 1-647676-2 |
| 43.56 | 11 | 1-647676-1 |
| 39.60 | 10 | 1-647676-0 |
| 35.64 | 9 | 647676-9 |
| 31.68 | 8 | 647676-8 |
| 27.72 | 7 | 647676-7 |
| 23.76 | 6 | 647676-6 |
| 19.80 | 5 | 647676-5 |
| 15.84 | 4 | 647676-4 |
| 11.88 | 3 | 647676-3 |
| 7.92 | 2 | 647676-2 |
| DIM. A CIRCUITS | | PART NUMBER |

| | | | | |
|--|--|-------------------------------|---|------------------------|
| THIS DRAWING IS A CONTROLLED DOCUMENT. | | DWN K. WHITAKER 22JUL04 | TE TE Connectivity | |
| DIMENSIONS: mm | | CHK D. BOSSI 22JUL04 | | |
| TOLERANCES UNLESS OTHERWISE SPECIFIED: | | APVD D. BOSSI 22JUL04 | NAME ASSEMBLY, EP HEADER, RIGHT ANGLE | |
| 0 PLC ± 0.3 | | PRODUCT SPEC | SIZE A2 | |
| 1 PLC ± 0.25 | | APPLICATION SPEC | CAGE CODE 00779 | DRAWING NO C-647676 |
| 2 PLC ± 0.12 | | | RESTRICTED TO | |
| 3 PLC ± 0.05 | | | SCALE 5:1 | SHEET 1 of 1 |
| 4 PLC ± - | | WEIGHT 0.000000 | REV B1 | |
| ANGLES ± 3'0" | | CUSTOMER DRAWING | | |
| FINISH | | | | |

单击下面可查看定价，库存，交付和生命周期等信息

[>>TE Connectivity\(泰科\)](#)