



# APPROVAL SHEET

## Customer Information

Customer :			
Part Name :			
Part No. :			
Model No. :			
	COMPANY	PURCHASE	R&D

## Vendor Information

Name:	SFI ELECTRONICS TECHNOLOGY INC.
Part Name	Ultra Low Capacitance ESD array
Part No.	STSE0524P
Lot No.	

<b>SFI ELECTRONICS TECHNOLOGY INC.</b>			
ADDRESS : No.6, Lane 340, Shan-Ying Road , Guishan, Tao Yuan Taiwan			
TEL: 886-3-3506998 FAX: 886-3-3507689 E-mail: sfi@sfi.com.tw			
Quality Control	Document Control	Business Issue	
 ISO 9001:2000 ISO TS16949:2002 ISO 14001:2004	REV : A	Prepared	Check
			

Part No. :	STSE0524P	Document No.	AST142-LF	REV.	A
<a href="http://www.sfi.com.tw">http://www.sfi.com.tw</a> E-mail : <a href="mailto:sfi@sfi.com.tw">sfi@sfi.com.tw</a> TEL:886-3-3506998 FAX :886-3-3507689 - 1 -					



## 1. PART NUMBER IDENTIFICATION

### 1.1 APPLICATIONS

- (1) Personal Digital Assistance
- (2) Wireless System
- (3) HDMI 1.4
- (4) High Speed Data Line
- (5) Ethernet
- (6) Esata Interfaces

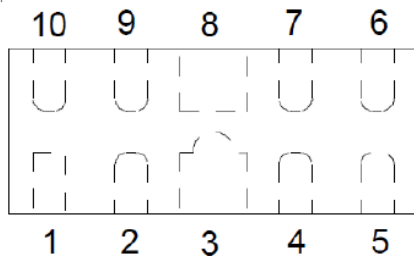
### 1.2 FEATURES

- (1) With TVS Diode
- (2) ESD Protection:Level 4
- (3) Low clamping voltage
- (4) 150 Watts peak pulse power per line(tp=8/20uS)
- (5) Ultra low capacitance:0.4pf max.(any I/O to GND.)
- (6) Protection 4 lines I/O port

### 1.3 MAXIMUM RATINGS

Parameter	Symbol	Value	Unit
Peak Pulse Power (tp=8/20μs)	P <sub>PP</sub>	150	Watts
Operating Temperature Range	T <sub>J</sub>	-55 ~ 150	°C
Storage Temperature Range	T <sub>STG</sub>	-55 ~ 150	°C

\*: Maximum Ratings@25 unless otherwise specified



Pin	Identification
1,2,4,5	Input lines
6,7,9,10	Output lines
3,8	Ground

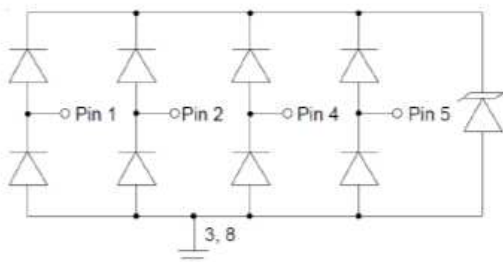
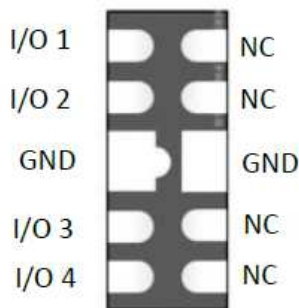
Part No. :	<b>STSE0524P</b>	Document No.	<b>AST142-LF</b>	REV.	<b>A</b>
<a href="http://www.sfi.com.tw">http://www.sfi.com.tw</a> E-mail : <a href="mailto:sfi@sfi.com.tw">sfi@sfi.com.tw</a> TEL:886-3-3506998 FAX :886-3-3507689 - 2 -					

### 1.4 ELECTRICAL CHARACTERISTICS

Part Number	Symbol	Condition	min	Typ.	max	Units
Reverse Stand-off Voltage	$V_{RWM}$	Any I/O Pin to GND			5	V
Reverse Breakdown Voltage	$V_{BR}$	$I_Z=1mA$ Pin I/O Pin to GND	6.1		8.5	V
Reverse Leakage Current	$I_{R@VR=5V}$	Any I/O pins to GND.			0.9	uA
Forward Voltage	$V_F$	$I_F=15mA$			1.15	V
Clamping Voltage	$V_C$	$I_{PP}=1A$ $t_p=8/20us$ Max			15	V
		$I_{PP}=5A$ $t_p=8/20us$			28	
Junction Capacitance	$C_{I/O-I/O}$	$V_{dc}=0V, f=1MHz$			0.4	pf

### 1.5 IEC COMPATIBILITY

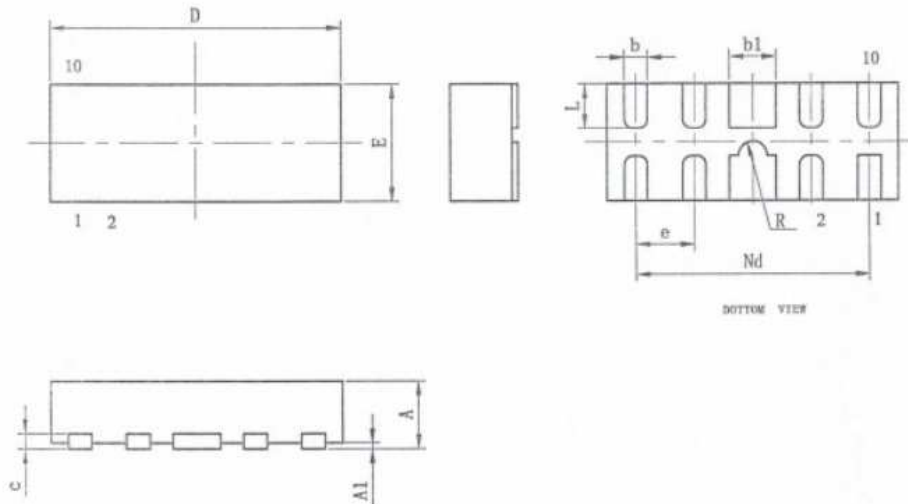
- (1) EN61000-4
- (2) 61000-4-2(ESD):Level 4,Contact:>±12kv,Air:>±17kv
- (3) 61000-4-4(EFT):40A-5/50ns
- (4) 61000-4-5(Surge):5A-8/20us
- (5) Flow-Through design



Part No. :	STSE0524P	Document No.	AST142-LF	REV.	A
<a href="http://www.sfi.com.tw">http://www.sfi.com.tw</a> E-mail : <a href="mailto:sfi@sfi.com.tw">sfi@sfi.com.tw</a> TEL:886-3-3506998    FAX :886-3-3507689    - 3 -					

### 2 . MECHANICAL CHARACTERISTICS

- (1) Molded JEDEC DFN 10pin package (2.5x1.0x0.58mm)
- (2) Packing:Tape and Reel
- (3) Flammability rating UL 94V-0



SYMBOL	MILLIMETER		
	MIN.	NOM.	MAX.
A	0.40	0.45	0.58
A1		0.02	0.05
b	0.15	0.20	0.25
b1	0.35	0.40	0.45
c	0.10	0.15	0.20
D	2.40	2.50	2.60
e	0.50BSC		
Nd	2.00BSC		
E	0.90	1.00	1.10
L	0.30	0.38	0.425
R	0.12	0.125	0.13

Part No. :	STSE0524P	Document No.	AST142-LF	REV.	A
<a href="http://www.sfi.com.tw">http://www.sfi.com.tw</a> E-mail : <a href="mailto:sfi@sfi.com.tw">sfi@sfi.com.tw</a> TEL:886-3-3506998 FAX :886-3-3507689 -4-					



### 3. RATING AND CHARACTERISTIC CURVES

FIGURE 1

Non-repetitive Peak pulse power V.S pulse time

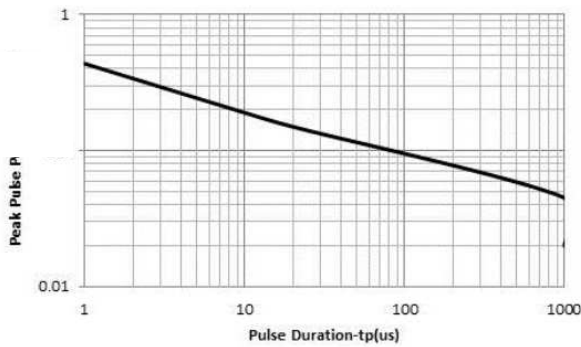


FIGURE 2  
PULSE WAVE FORM

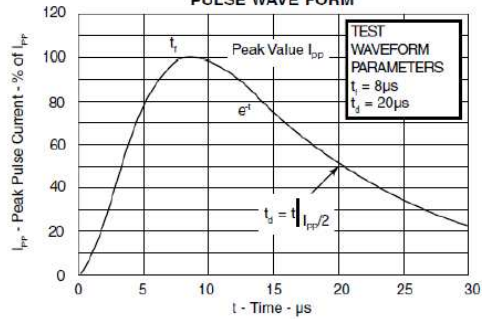


FIGURE 3

Power Derating Curve

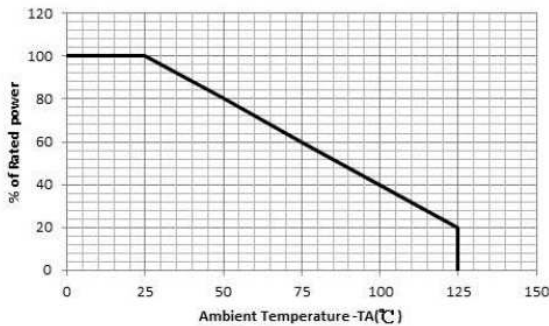


FIGURE 4

Normalized Capacitance vs.Reverse Voltage

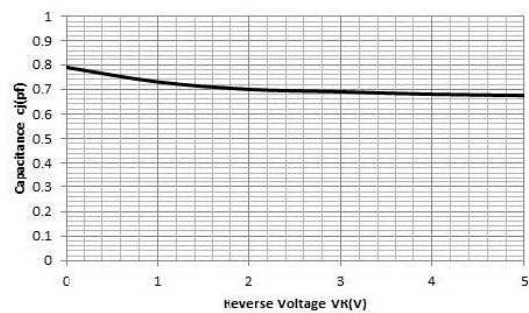


FIGURE 5

Forward Voltage VF Map GND to I/O pins

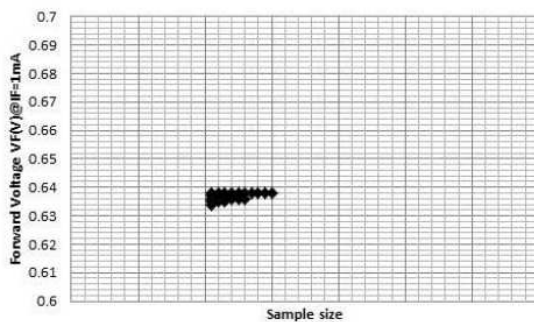
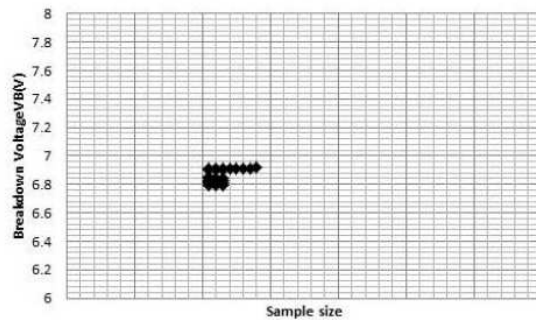


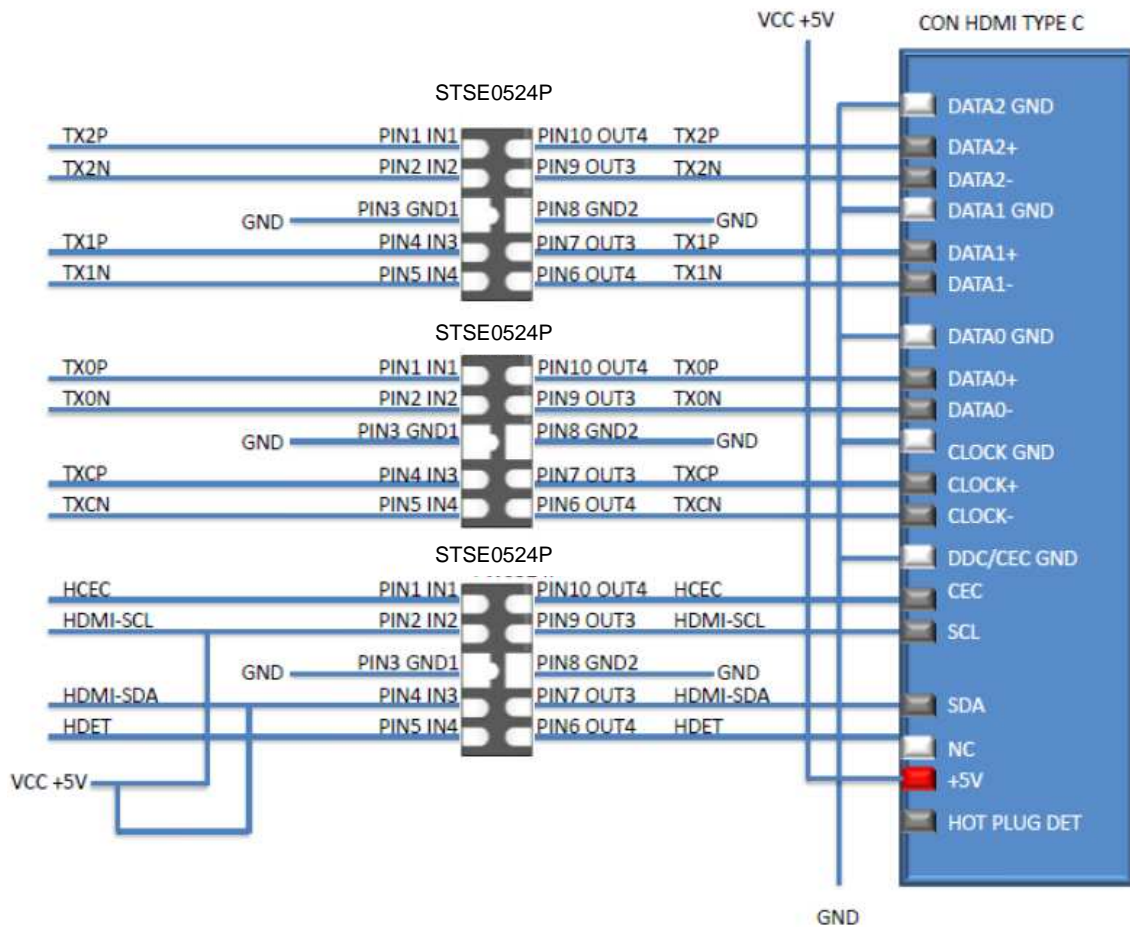
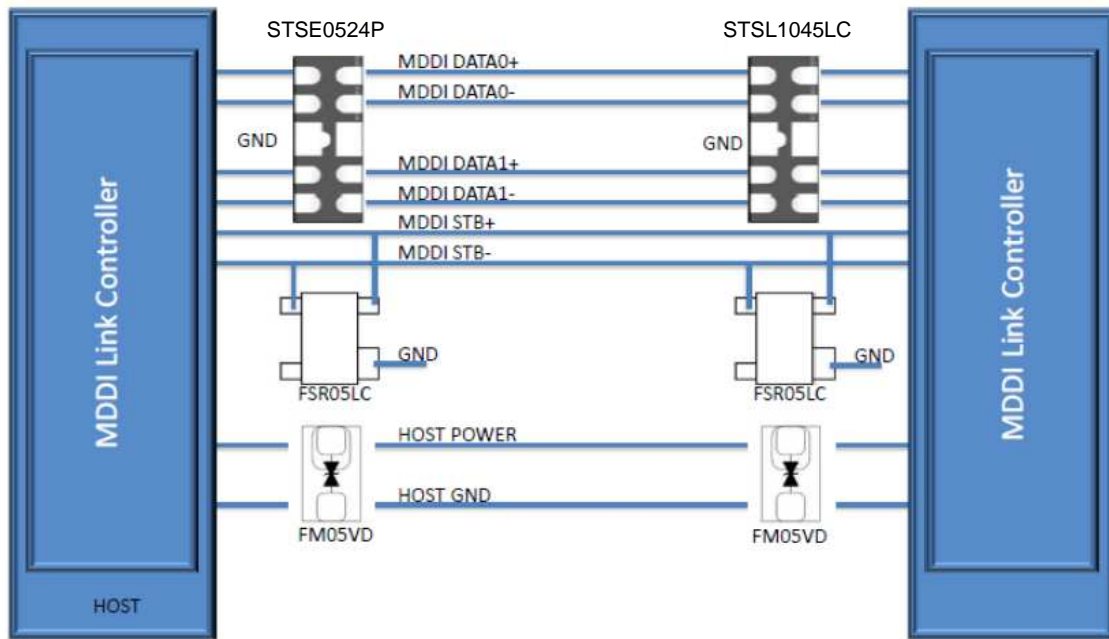
FIGURE 6

Breakdown Voltage VB Map Any I/OPin to GND.



Part No. :	STSE0524P	Document No.	AST142-LF	REV.	A
------------	-----------	--------------	-----------	------	---

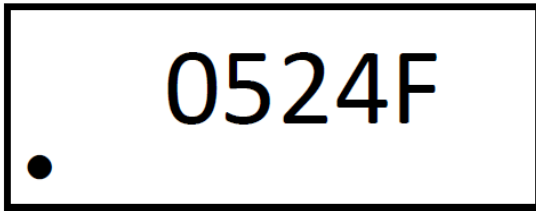
## 4. MMDI Prot PROTECTION



Part No. :	STSE0524P	Document No.	AST142-LF	REV.	A
<a href="http://www.sfi.com.tw">http://www.sfi.com.tw</a> E-mail : <a href="mailto:sfi@sfi.com.tw">sfi@sfi.com.tw</a> TEL:886-3-3506998    FAX :886-3-3507689    - 6 -					



## 5. MARKING CODE



Part No	Material	Type	Reel size	MOQ/box	MOQ/Carton
STSE0524P	Green	T/R	7 inch	3 reel/9,000box	6 box/54,000carton

Part No. :	STSE0524P	Document No.	AST142-LF	REV.	A
<a href="http://www.sfi.com.tw">http://www.sfi.com.tw</a> E-mail : <a href="mailto:sfi@sfi.com.tw">sfi@sfi.com.tw</a> TEL:886-3-3506998 FAX :886-3-3507689 - 7 -					

单击下面可查看定价，库存，交付和生命周期等信息

[>>SFI\(台湾立昌\)](#)