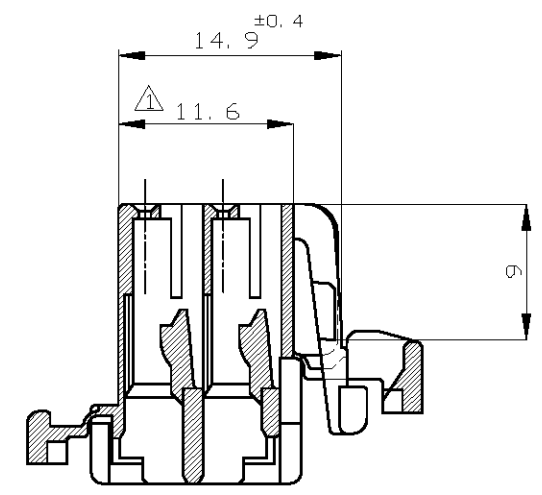
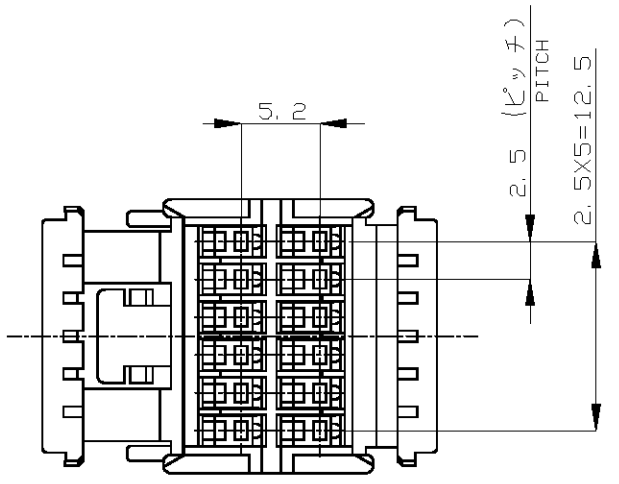
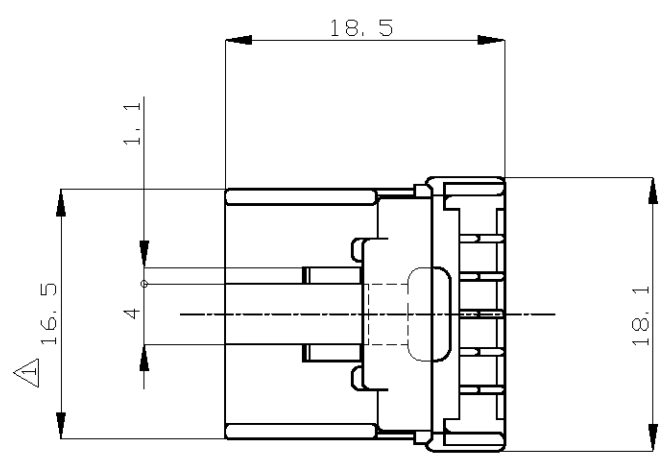
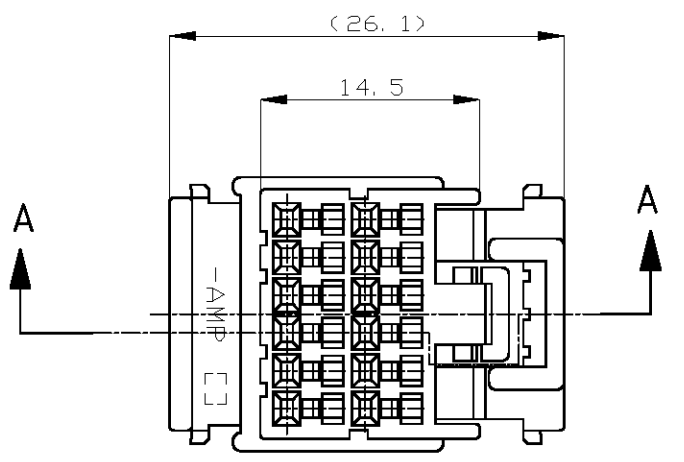
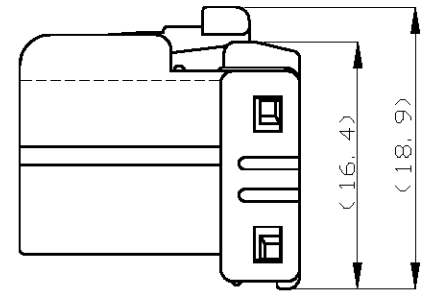
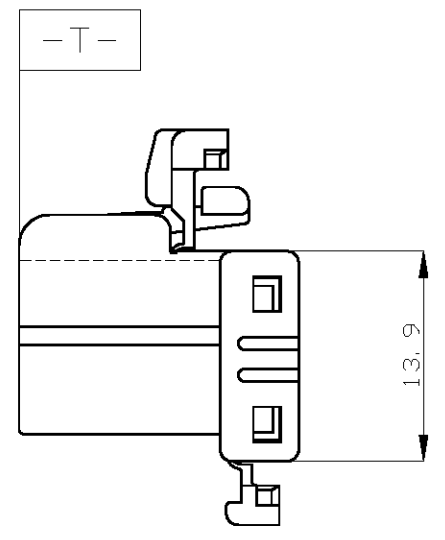


THIS DRAWING IS UNPUBLISHED. RELEASED FOR PUBLICATION  
 © COPYRIGHT - By - ALL RIGHTS RESERVED.

LOC	DIST	REVISIONS						
		P	LTR	DESCRIPTION	DATE	DWN	APVD	
J	-		C5	REVISED	ECR-14-013120	05SEP2014	TS	RK



A-A



二重ロック時  
DOUBLE LOCKED

FJPI-174045-5	青 (BLUE)	174045-5
FJPI-174045-4	緑 (GREEN)	174045-4
FJPI-174045-2	黒 (BLACK)	174045-2
FJPI-174045-1	黒 (BLACK)	174045-1
PACKING INSTRUCTION NUMBER (梱包仕様書番号)	色 (COLOR)	製品型番 (PART NUMBER)

- ① TO BE MEASURED WITHIN 2mm FROM [-T-]
- 2. THE MATING CAP HOUSING NUMBERS: 174973, 174051, 174058, 174979, 174149 AND 174151
- 3. APPLIED CONTACT PART NUMBER: 173681, 175180

- ① [-T-] 面より2mmの範囲で測定
- 2. 嵌合相手ハウジング型番; 174973, 174051, 174058, 174979, 174149 AND 174151
- 3. 内装するコンタクト型番: 173681, 175180

TOLERANCE UNLESS OTHERWISE SPECIFIED: 一般公差	
0 < x ≤ 10	: ±0.2
10 < x ≤ 30	: ±0.25
30 < x ≤ 100	: ±0.3
ANGLE ; 角度	: ±3°

THIS DRAWING IS A CONTROLLED DOCUMENT.	
DIMENSIONS: 単位: 耗 mm	TOLERANCES UNLESS OTHERWISE SPECIFIED: 一般公差
	0 PLC ± -
	1 PLC ± -
	2 PLC ± -
	3 PLC ± -
	4 PLC ± -
MATERIAL 材料 PBT	FINISH 仕上 -

DWN M.SUGAWARA 03AUG06	<b>STE</b> TE Connectivity	
CHK K.BETSUI 03AUG06		
APVD K.BETSUI 03AUG06	NAME 名称	
PRODUCT SPEC 製品規格 108-5352,5244	12POSITION PLUG HOUSING 040SERIES MULTI-LOCK CONNECTOR	
APPLICATION SPEC 取付適用規格	SIZE A3	CAGE CODE 00779
WEIGHT 2.8 g	DRAWING NO 番号 C-174045	RESTRICTED TO -
CUSTOMER DRAWING	SCALE 尺度 2:1	SHEET 1 OF 1
		REV C5

单击下面可查看定价，库存，交付和生命周期等信息

[>>TE Connectivity\(泰科\)](#)