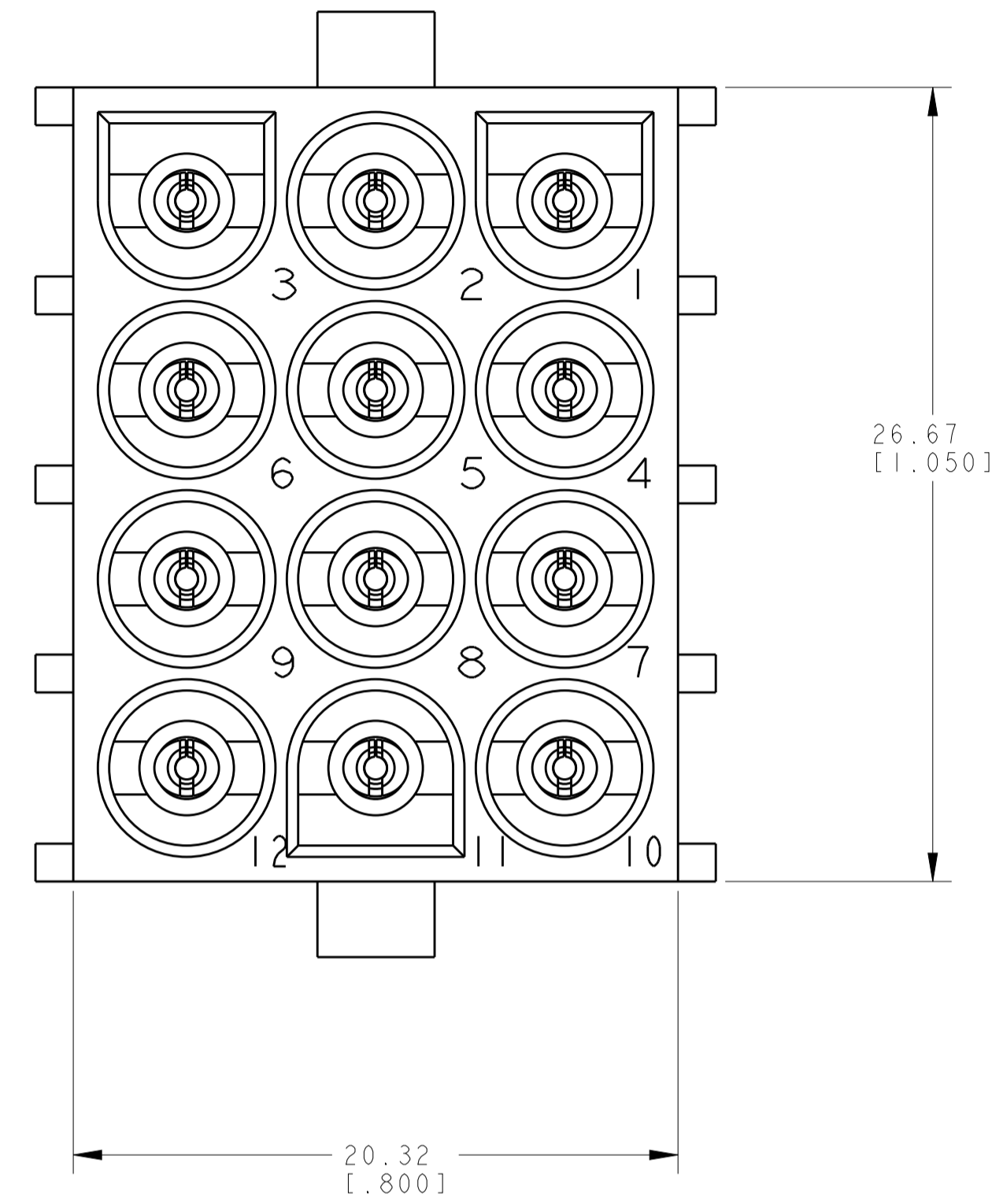
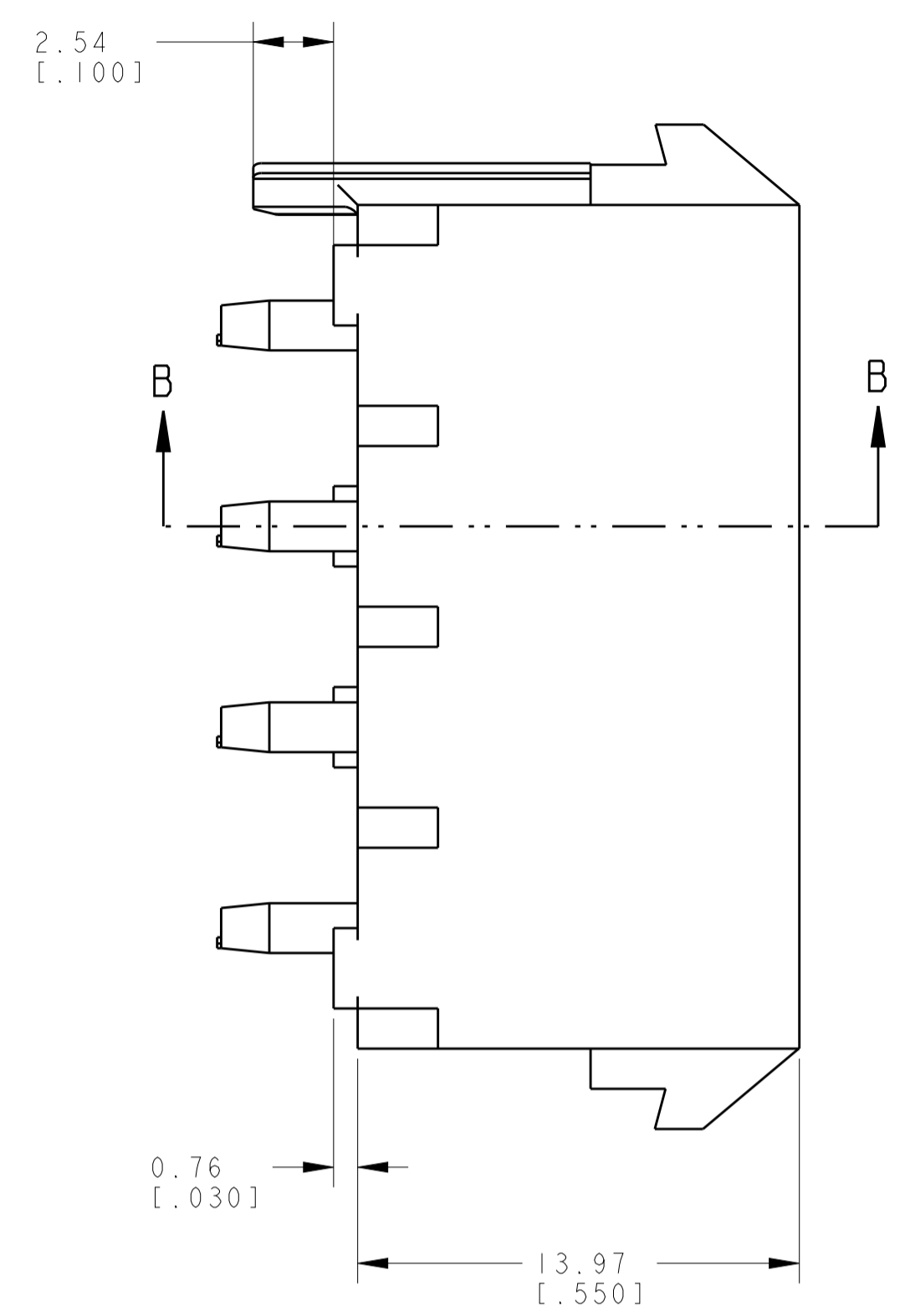
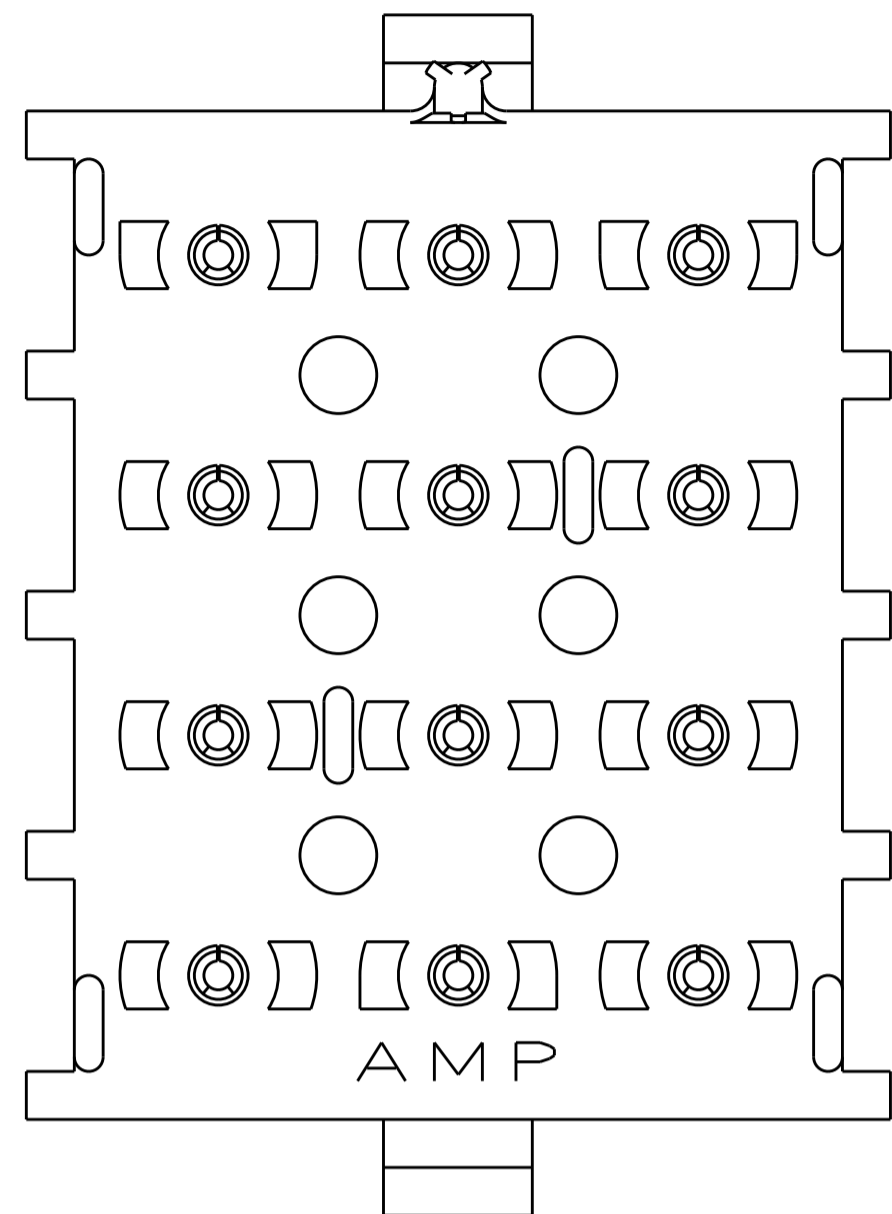
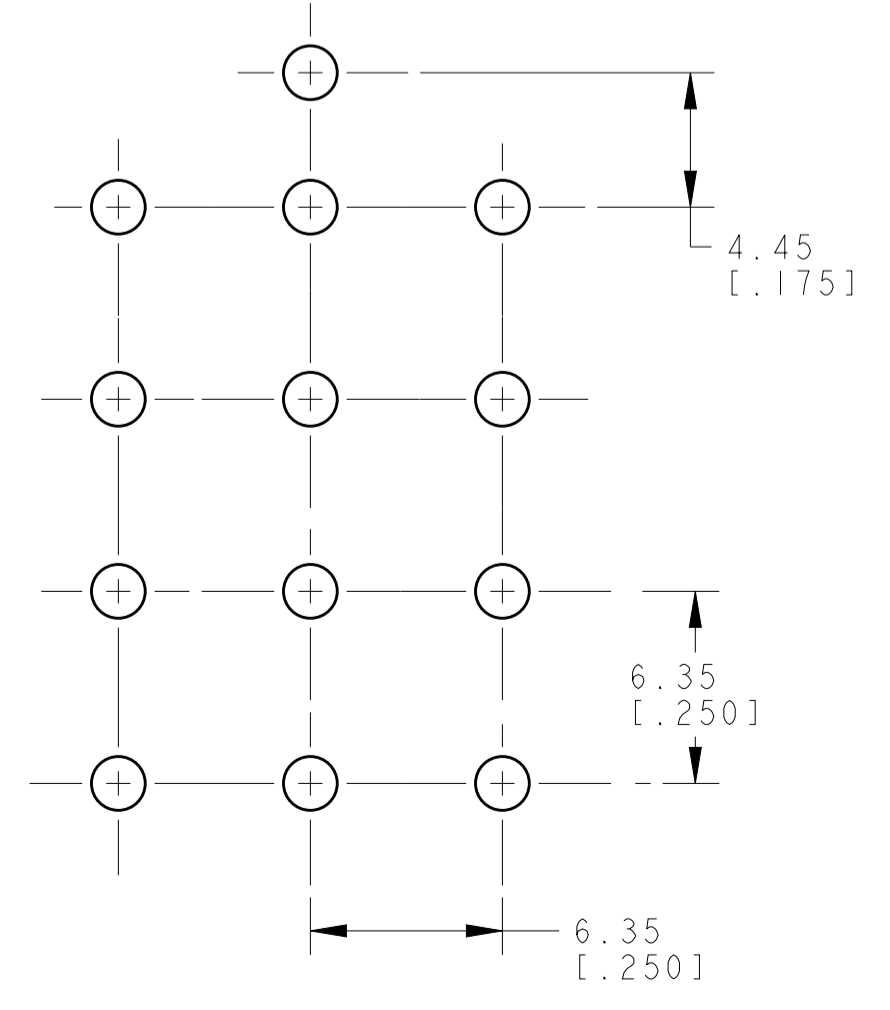
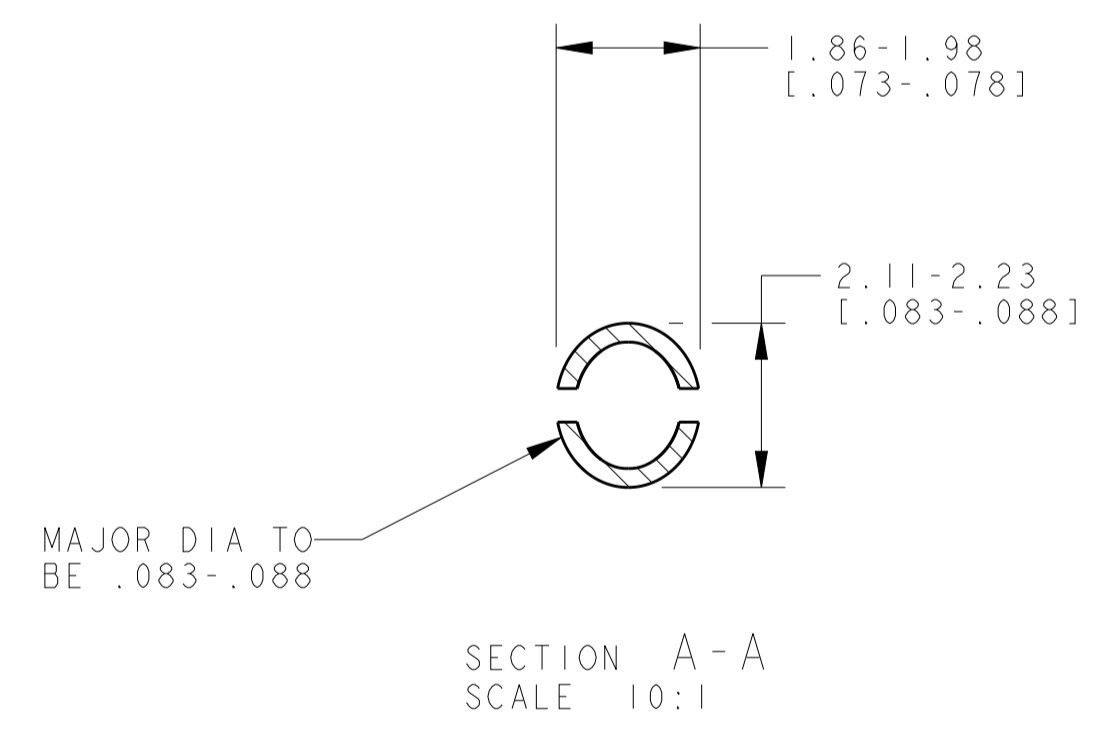
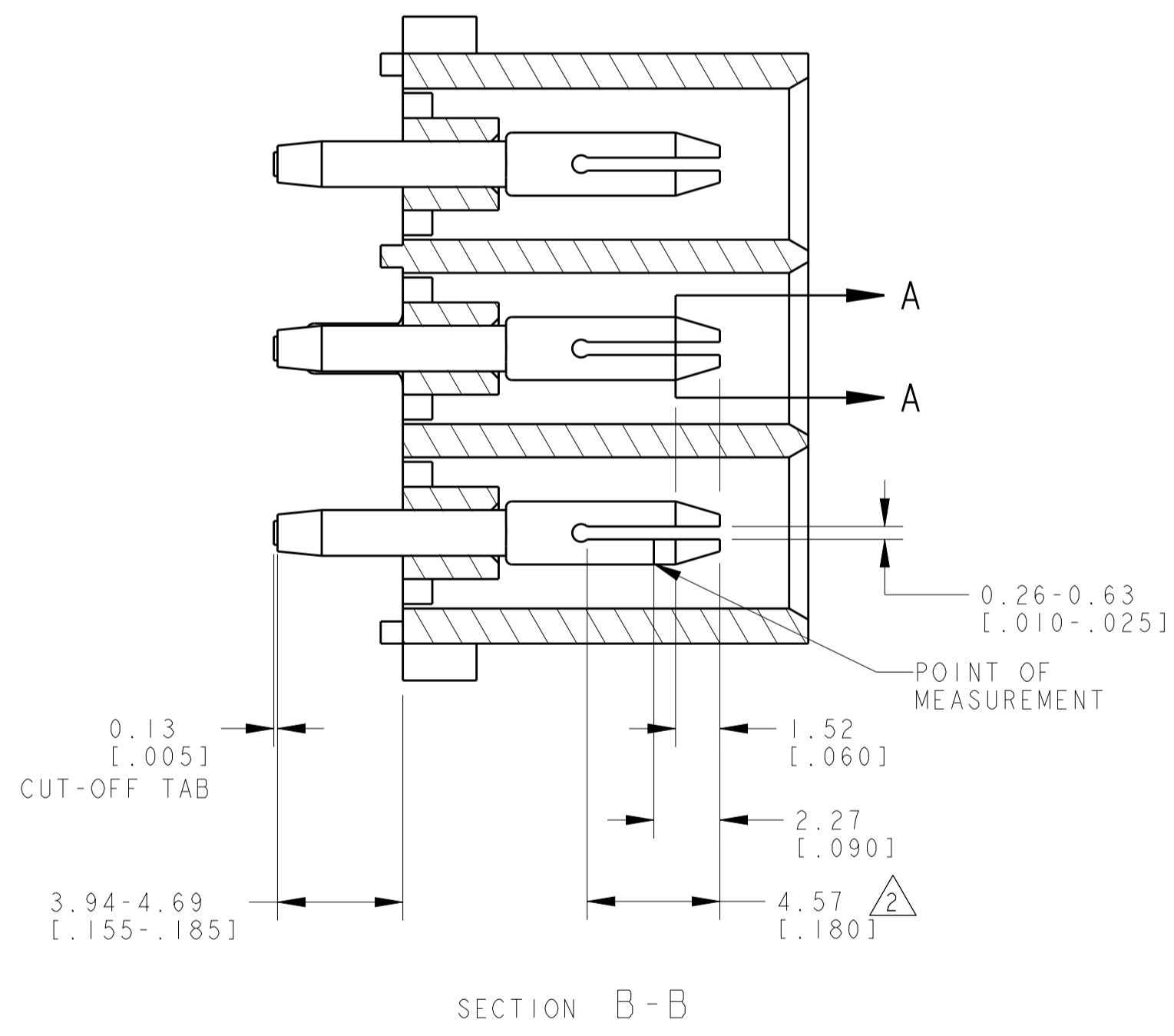


| LOC | DIST | REVISIONS | | | |
|-----|------|-----------|-----------|----|-------|
| | | REV | DATE | BY | APP'D |
| CM | 00 | P1 | 24JAN2013 | KH | TM |
| | | | | | |
| | | | | | |



1. PARTS MUST COMPLY WITH AMP SOLDERABILITY SPEC. 109-11-3.
2. CONTACT IS PLATED OVERALL WITH 0.00127 [0.000050] NICKEL, THEN 0.00076 [0.000030] GOLD OVER CONTACT LENGTH INDICATED AND TIN LEAD ON SOLDER TAIL END.
3. CIRCUIT IDENTIFICATION ON CHARACTERS ARE ADJACENT TO THE INDICATED CAVITIES, BUT LOCATION AND ORIENTATION MAY DIFFER FROM PRINT.
4. CONTACT IS PLATED OVERALL WITH 0.00127 [0.000050] NICKEL, THEN 0.00076 [0.000030] GOLD OVER CONTACT LENGTH INDICATED AND MATTE TIN ON SOLDER TAIL END.
5. SUPERSEDED BY 641974-3



RECOMMENDED HOLE PATTERN
1.57 [.062] THICK PC BOARD

METRIC

| MATERIAL | FINISH | MATERIAL | COLOR | PART NO |
|----------|-------------------|--------------|-------|------------|
| PH BRZ | PRE-TIN | NYLON, 94V-0 | BLACK | 1-641974-1 |
| PH BRZ | GOLD ⁴ | NYLON, 94V-0 | WHITE | 641974-3 |
| PH BRZ | GOLD ² | NYLON, 94V-0 | WHITE | 641974-2 |
| PH BRZ | PRE-TIN | NYLON, 94V-0 | WHITE | 641974-1 |

| THIS DRAWING IS A CONTROLLED DOCUMENT. | | DWN: R. WHITAKER 14OCT2005 | | CHK: S. RIDGILL 14OCT2005 | | APVD: S. RIDGILL 14OCT2005 | | NAME: S. RIDGILL 14OCT2005 | | | | | | | | | | | | | | | |
|---|-------|--|---|---------------------------|---|---|---|--|-------|-------|---|--------|---|--------|---|--------|--|-----------------|--|------------|--|---------------------|--|
| DIMENSIONS: INCHES | | TOLERANCES UNLESS OTHERWISE SPECIFIED: | | PRODUCT SPEC | | APPLICATION SPEC | | SIZE: CAGE CODE: DRAWING NO: RESTRICTED TO | | | | | | | | | | | | | | | |
| <table border="0"> <tr><td>0 PLC</td><td>±</td></tr> <tr><td>1 PLC</td><td>±</td></tr> <tr><td>2 PLC</td><td>±</td></tr> <tr><td>3 PLC</td><td>±.005</td></tr> <tr><td>4 PLC</td><td>±</td></tr> <tr><td>ANGLES</td><td>±</td></tr> <tr><td>FINISH</td><td>±</td></tr> </table> | | 0 PLC | ± | 1 PLC | ± | 2 PLC | ± | 3 PLC | ±.005 | 4 PLC | ± | ANGLES | ± | FINISH | ± | WEIGHT | | A100779C=641974 | | SCALE: 5:1 | | SHEET 1 OF 1 REV P1 | |
| 0 PLC | ± | | | | | | | | | | | | | | | | | | | | | | |
| 1 PLC | ± | | | | | | | | | | | | | | | | | | | | | | |
| 2 PLC | ± | | | | | | | | | | | | | | | | | | | | | | |
| 3 PLC | ±.005 | | | | | | | | | | | | | | | | | | | | | | |
| 4 PLC | ± | | | | | | | | | | | | | | | | | | | | | | |
| ANGLES | ± | | | | | | | | | | | | | | | | | | | | | | |
| FINISH | ± | | | | | | | | | | | | | | | | | | | | | | |
| MATERIAL | | CUSTOMER DRAWING | | TE Connectivity | | HEADER ASSEMBLY, PIN UNIVERSAL MATE-N-LOK (TM), (STANDARD TAIL) | | | | | | | | | | | | | | | | | |

单击下面可查看定价，库存，交付和生命周期等信息

[>>TE Connectivity\(泰科\)](#)