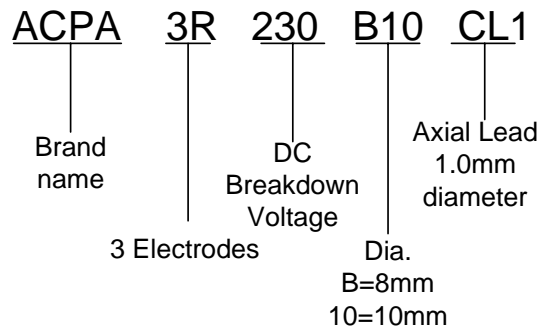
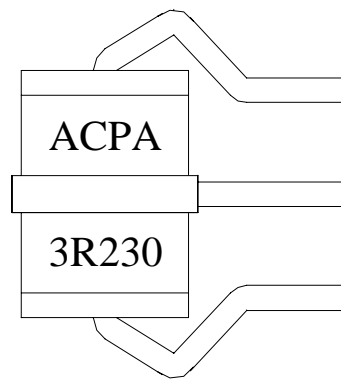


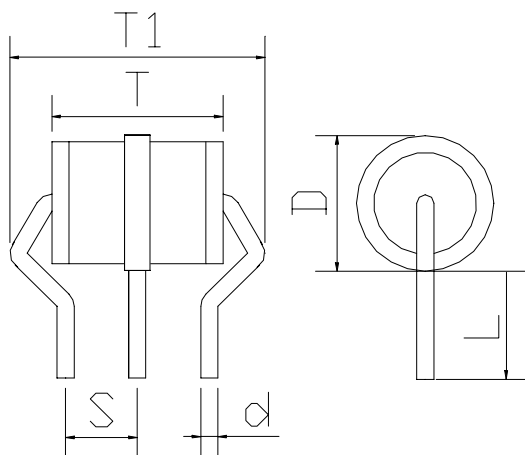
1. PART NUMBER CODE



2. MARKING



3. Outline Drawing



Unit: mm

Item	Dimensions	
	Spec.	Tolerance
D	8.0	+0.2,-0.8
T	10.0	±0.5
T1	13.4	+0.8,-0.5
L	7.5	±0.5
S	4.4	±0.4
d	1.0	±0.05

4. SPECIFICATION

ELECTRICAL SPECIFICATION

Model Name	DC Breakdown Voltage	Maximum Impulse Breakdown Voltage		Maximum Impulse Discharge Current	Alternating Discharge Current	Impulse Life	DC Holdover Voltage	Minimum Insulation Resistance	Maximum Capacitance
	(V)	(V)		(8/20 μs) (KA)	(A)	(10/1000μs) (200A)	(V)	(GΩ)	(pf)
	100V/s	100V/μs	1000V/μs	10 times 5 times each polarity	50HZ, 1sec	times	< 150ms	Note2	1MHZ
3R-230	230±20%	600	700	20	20	130	135	10	2

Note1 : UL497B Recognized, File E223314

Note2 : DC Breakdown Voltage DC Measuring Voltage

70-90V	50V
145-400V	100V
420-600V	250V

4.2 Standard Bulk Packaging Specifications

- Quantity: 100 pieces per plastic tray
- 500 pieces per inner box
- 10 inner boxes per carton
- 5000 pieces per full carton

5. ELECTRICAL RATING

Item	Test Condition / Description	Requirement	
DC Breakdown Voltage	The voltage measured at a rise time of 100v/s.	To meet the specified value	
Maximum Impulse Breakdown Voltage	The maximum breakdown voltage at rise times of 100v/us and 1000v/us.		
Maximum Impulse Discharge Current	The maximum current applying a waveform of 8/20us that can be applied across the terminals of the gas tube without causing the gas tube to change more than $\pm 25\%$ from its initial measured DC breakdown voltage. Dwell time between pulses is 3 minutes.		
Alternating Discharge Current	Rated RMS value of AC current at 50Hz, 1 sec. 10 times. Intervals: 3min. DC breakdown voltage may not change more than $\pm 25\%$ from its initial measured DC breakdown voltage. IR > 10^8 ohms (-20%, +30% for 70 – 90V).		
Impulse Life	The minimum number of impulses of a specified waveform and peak current which a gas tube will conduct without causing the gas tube to change more than $\pm 25\%$ from its initial measured DC breakdown voltage. Dwell time between pulses is 1-2 minutes.		
DC Holdover Voltage	The maximum DC voltage across the two terminals of the gas tube under which it may be expected to return to the high impedance state after the gas tube breakdown.		
Insulation Resistance	The resistance of the gas tube shall be measured each terminal to each other terminal.		
	DC Breakdown Voltage		Measuring Voltage
	70-150V		50V
	151-400V		100V
	470-1000V	250V	
Capacitance	The capacitance of a gas tube shall be measured each terminal to each other terminal. Test frequency: 1MHz In measurements involving 3-electrode gas tubes, the terminal not being tested shall be connected to a ground plane.		
	1001-2000V	500V	
	2001-6000V	1000V	

单击下面可查看定价，库存，交付和生命周期等信息

[>>ACPA\(华格科技\)](#)