

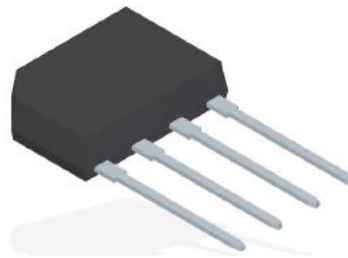
KBP201 Thru KBP210

Glass Passivated Molding Single-Phase Bridge Rectifier

Reverse Voltage 100 to 1000V Forward Current 2.0 A

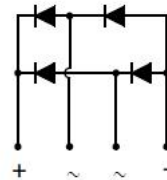
FEATURES

- Rating to 1000V PRV
- Ideal for printed circuit board
- Reliable low cost construction utilizing molded plastic technique
- The plastic material has UL flammability classification 94V#0



MECHANICAL DATA

- Polarity : As marked on body
- Weight : 0.05 ounces, 1.52 grams
- Mounting position : Any



1. Maximum & Thermal Characteristics Ratings at 25°C ambient temperature unless otherwise specified.

Parameter Symbol	Symbol	KBP201	KBP202	KBP204	KBP206	KBP208	KBP210	Unit
Maximum repetitive voltage	VRRM	100	200	400	600	800	1000	V
Maximum RMS Voltage	VRMS	70	140	280	420	560	700	V
Maximum DC Blocking Voltage	VDC	100	200	400	600	800	1000	V
Maximum DC reverse current TA=25 °C	IR	5						μA
at rated DC blocking voltage TA=125°C		500						
Average rectified forward current Tc=100°C	Io	2						A
Peak forward surge current 8.3ms single half sine-wave superimposed on rated load	IFSM	55						A
Rating of fusing (t<8.3ms)	I ² t	17.5						A ² sec
Dielectric strength terminals to case, AC 1 minute Current 1mA	Vdia	2.5						KV
Max instantaneous forward voltage at 2.0A	VF	1.1						V
Maximum thermal on P.C.B. without heat-sink(1)	RθJA	40						°C/W
resistance per leg on Al plate heat-sink	RθJC	10						
Operating junction temperature	TJ	-55~150						°C
Storage temperature	Tstg	-55~150						°C

Note:

Thermal Resistance Junction to Case,and Ambient.

KBP201 Thru KBP210

2. Ratings and Characteristic Curves ($T_A = 25^\circ\text{C}$ unless otherwise noted)

Fig. 1 Derating Curve

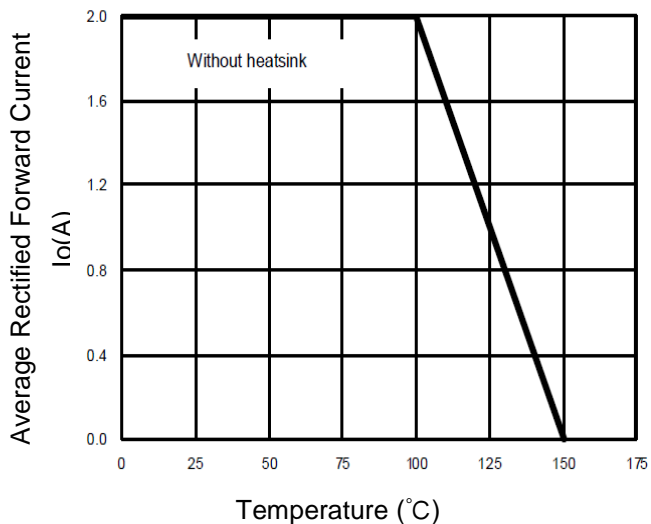


Fig.2 Typical Reverse Characteristics

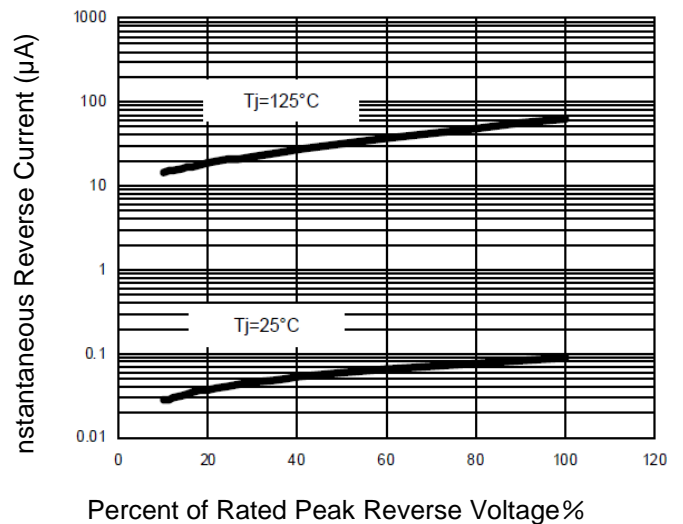


Fig.3 Forward Voltage

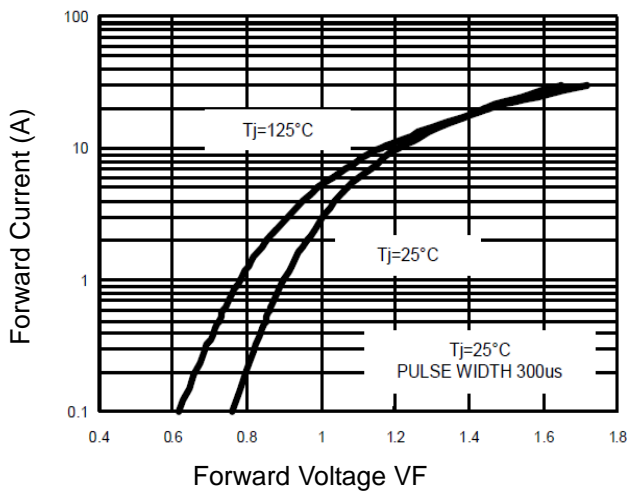
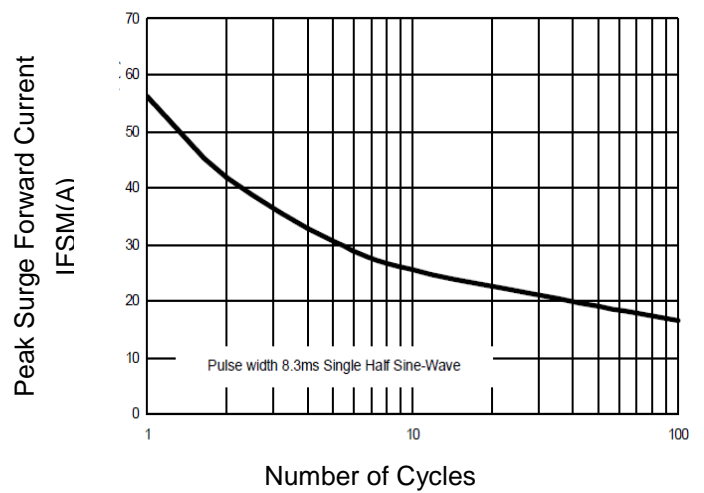
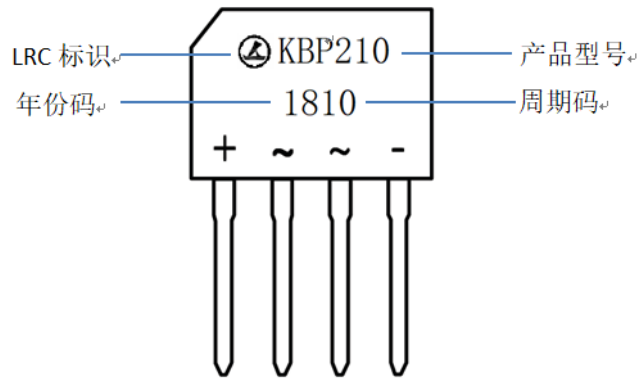


Fig.4 Peak Surge Forward Capability



KBP201 Thru KBP210

3. Marking Identification



Note:

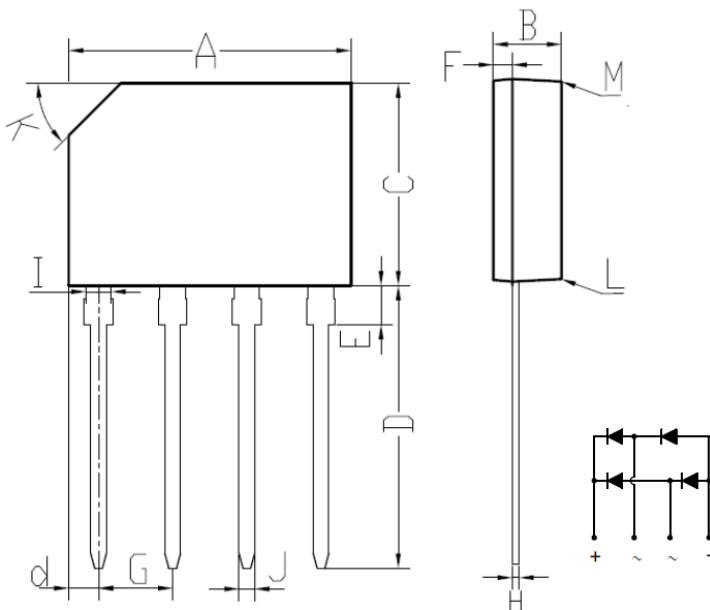
生产日期码包含4位数字，例如“1018”，前两个数字“18”表示为2018年，另外二个数字“10”是指第10周，即表示该产品为2018年10周生产。

型号：

KBP 2 10

→ bridge reverse voltage=1000V
→ average rectified forward Current=2A
→ mean: KBP series bridge

4. Dimension



KBP		
DIM.	MIN.	MAX.
A	14.25	14.75
B	3.35	3.65
C	10.20	10.60
D	14.25	14.73
d	1.40	1.70
E	1.80	2.20
F	0.80	1.10
G	3.56	4.06
H	0.35	0.55
I	1.22	1.42
J	0.76	0.86
K	2.7 x 45° (Typ)	
L	#	3°
M	#	2°
All Dimensions in millimeter		

单击下面可查看定价，库存，交付和生命周期等信息

[>>LRC\(乐山无线电\)](#)