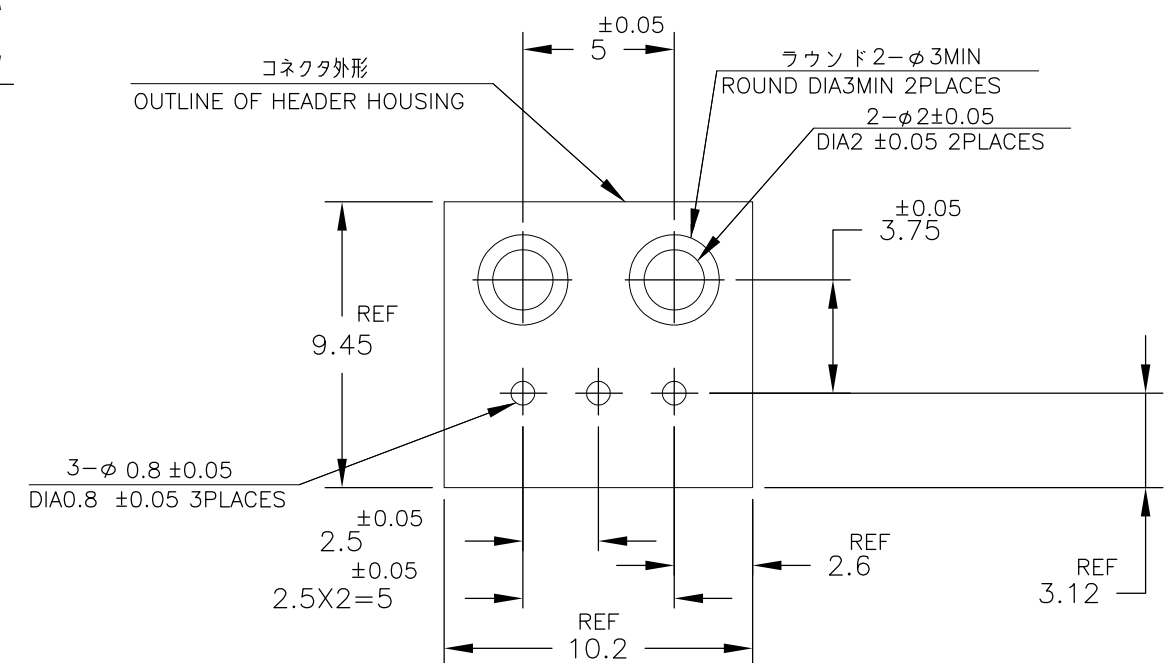
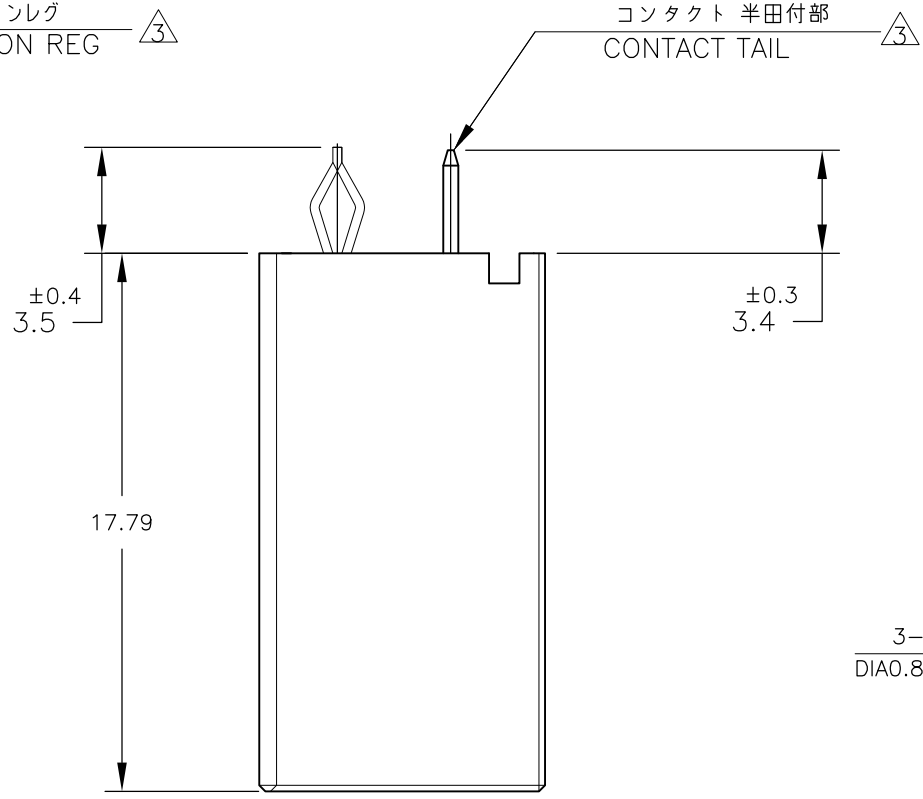
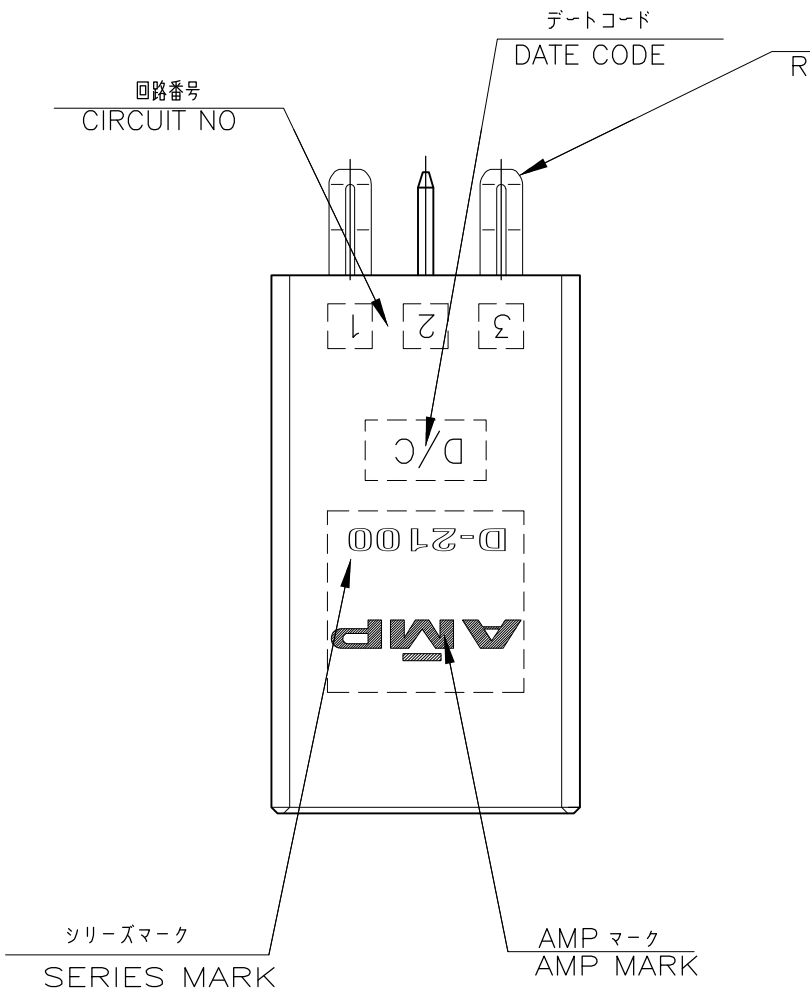


THIS DRAWING IS UNPUBLISHED. RELEASED FOR PUBLICATION  
 © COPYRIGHT 2012 By Tyco Electronics Japan G.K. ALL RIGHTS RESERVED.

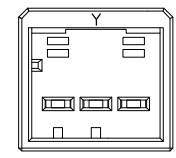
LOC	DIST	REVISIONS					
J	—	P	LTR	DESCRIPTION	DATE	DWN	APVD
		C		REVISED	11MAY2012	H.M	N.Y



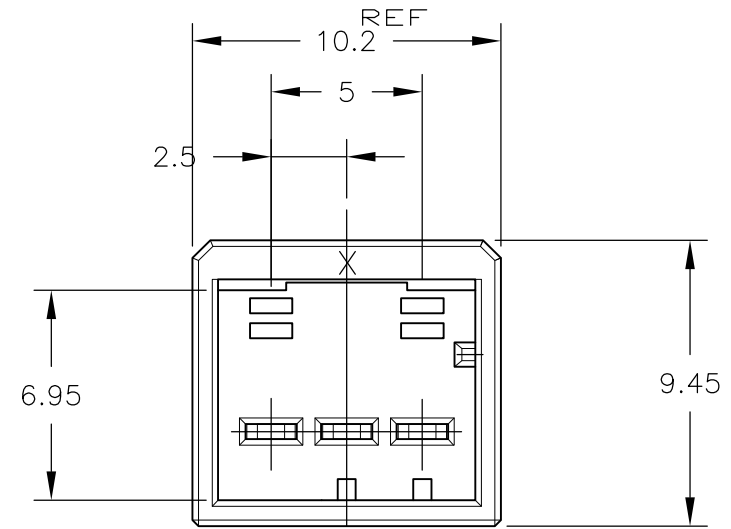
推奨基板取付け穴寸法 (公差: ±0.05)

PC 基板厚: 1.6 ±0.3 (コネクタ搭載面)

RECOMENDED PC BOARD HOLE PATTERN (TOLERANCE :±0.05)  
 PC BOARD THICKNESS:1.6±0.3 (CONNECTOR MOUNT SIDE)



1318123-2 (KEYING Y) SCALE:2-1



1318123-1 (KEYING X)

NOTES

- MATERIAL:HOUSING:GLASS FILED THERMO PLASTIC POLYESTER(94V-0)  
 TAB CONTACT:COPPER ALLOY  
 RETENTION LEG:BRASS
- △ FINISH(CONTACT AREA):0.38μmMIN GOLD PLATING OVER Ni PLATING
- △ FINISH(RETENTION LEG): TIN PLATED (CONTACT TAIL) OVER NICKEL

注記

- 材料:ハウジング:ガラス入り熱可塑性ポリエステル樹脂 (94V-0)  
 タブ コンタクト:銅合金  
 リテンション レグ:黄銅  
 接触部:0.38μm MIN金めっき
- めっき:コンタクト:全面Ni下地  
 接触部:0.38μm MIN金めっき
- めっき:リテンションレグとコンタクト半田付部:ニッケル下地の上にスズめっき

Y	NATURAL	9-1318123-2
Y	BLACK	1318123-2
X	BLACK	1318123-1
KEY	COLOR	PART No.

THIS DRAWING IS A CONTROLLED DOCUMENT.		DWN K.IKEDA 07DEC1998	TE Connectivity	
DIMENSIONS: mm		CHK N.MATSUBARA 07DEC2012		
TOLERANCES UNLESS OTHERWISE SPECIFIED:		APVD I.HASEGAWA 07DEC2012	NAME SINGLE ROW HEADER ASSY 3P V-TYPE DYNAMIC D-2100D	
0 PLC ± 10 ± 0.3 1 PLC ± 30 ± 0.35 2 PLC ± 100 ± 0.4 3 PLC ± 4 PLC ANGLES ± 3°		PRODUCT SPEC 108-5619	RESTRICTED TO	
MATERIAL SEE NOTE		APPLICATION SPEC 114-5258	SIZE A3	CAGE CODE 00779
FINISH SEE NOTE		WEIGHT	DRAWING NO C-1318123	REV C
CUSTOMER DRAWING			SCALE 4:1	SHEET 1 OF 2

THIS DRAWING IS UNPUBLISHED.

RELEASED FOR PUBLICATION

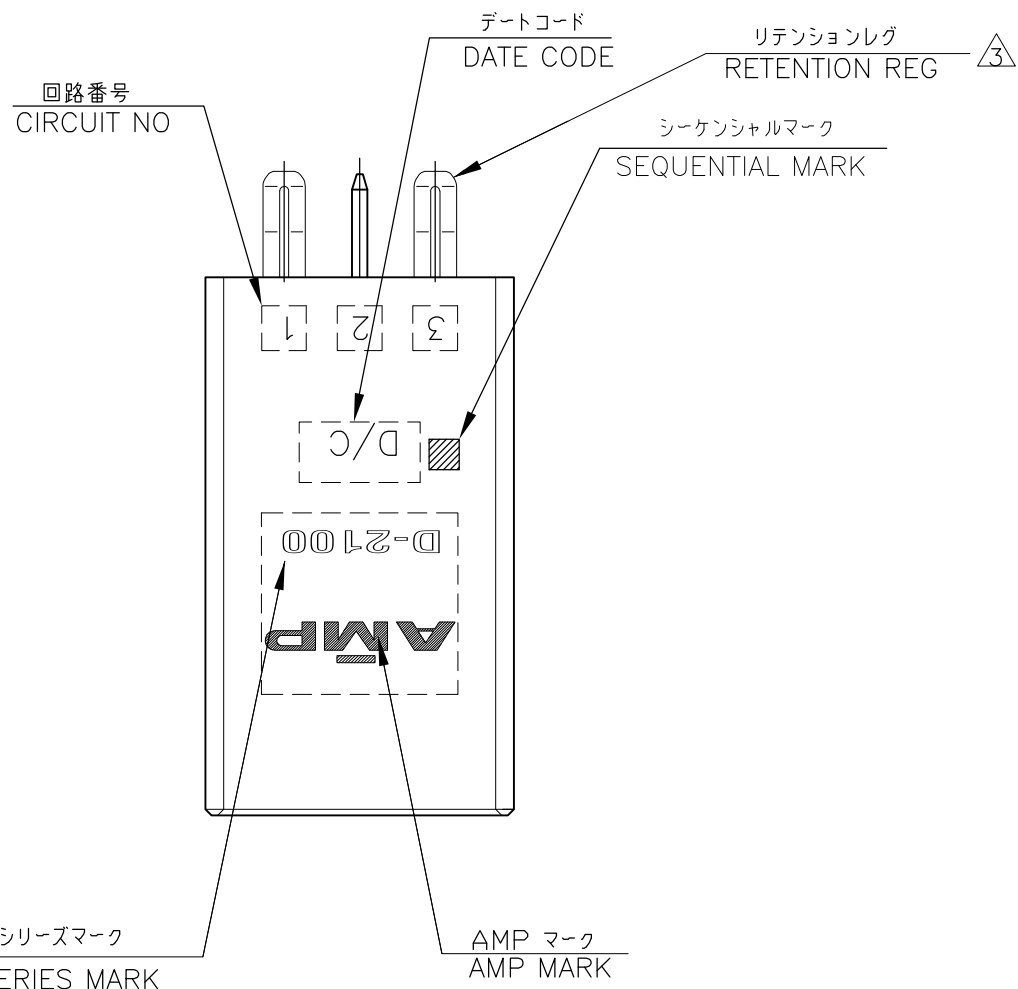
© COPYRIGHT 2012 By Tyco Electronics Japan G.K.

ALL RIGHTS RESERVED.

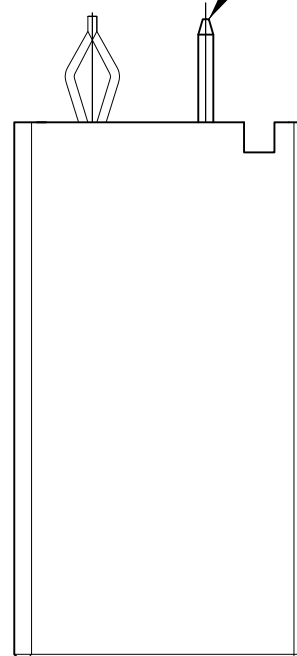
LOC J DIST -

REVISIONS

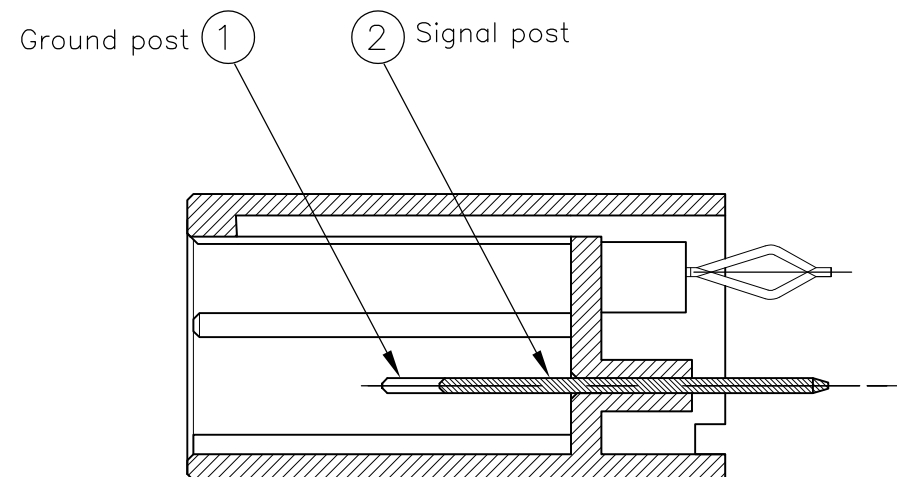
P	LTR	DESCRIPTION	DATE	DWN	APVD
-	-	SEE SHEET 1	-	-	-



CONTACT TAIL



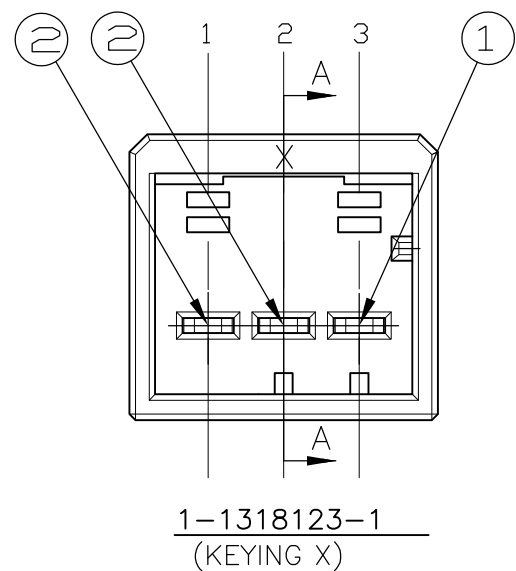
1-1318123-1;AS SHOWN SEQUENTIAL TYPE



SECT A-A

	回路番号		
	1	2	3
1列	② Signal	② Signal	① Ground

POINT OF SEQUENTIAL  
1-1318123-1  
(KEYING X)



1-1318123-1  
(KEYING X)

NOTES

- 1. MATERIAL:HOUSING:GLASS FILED THERMO PLASTIC POLYESTER(94V-0)  
TAB CONTACT:COPPER ALLOY  
RETENTION LEG:BRASS
- △ FINISH(CONTACT AREA):0.38μmMIN GOLD PLATING OVER Ni PLATING
- △ FINISH(RETENTION LEG): TIN PLATED (CONTACT TAIL) OVER NICKEL

注記

- 1. 材料:ハウジング:ガラス入り熱可塑性ポリエステル樹脂 (94V-0)  
タブ コンタクト:銅合金  
リテンション レグ:黄銅
- △ めっき:コンタクト:全面Ni下地  
接触部:0.38μm MIN金めっき
- △ めっき:リテンションレグとコンタクト半田付部  
:ニッケル下地の上にスズめっき

X	BLACK	1-1318123-1
KEY	COLOR	PART No.

THIS DRAWING IS A CONTROLLED DOCUMENT.		DWN K.IKEDA 07DEC1998	TE Connectivity		
DIMENSIONS: mm		CHK N.MATSUBARA 07DEC2012			
TOLERANCES UNLESS OTHERWISE SPECIFIED:		APVD I.HASEGAWA 07DEC2012	NAME SINGLE ROW HEADER ASSY 3P V-TYPE DYNAMIC D-2100D		
0 PLC ± 0.3 1 PLC ± 0.35 2 PLC ± 0.4 3 PLC ± 0.4 4 PLC ANGLES ± 3°		PRODUCT SPEC 108-5619	DRAWING NO C-1318123		
MATERIAL SEE NOTE		APPLICATION SPEC 114-5258	SIZE A3	CAGE CODE 00779	RESTRICTED TO -
FINISH SEE NOTE		WEIGHT	SCALE 4:1		SHEET 2 OF 2
CUSTOMER DRAWING			REV C		

单击下面可查看定价，库存，交付和生命周期等信息

[>>TE Connectivity\(泰科\)](#)