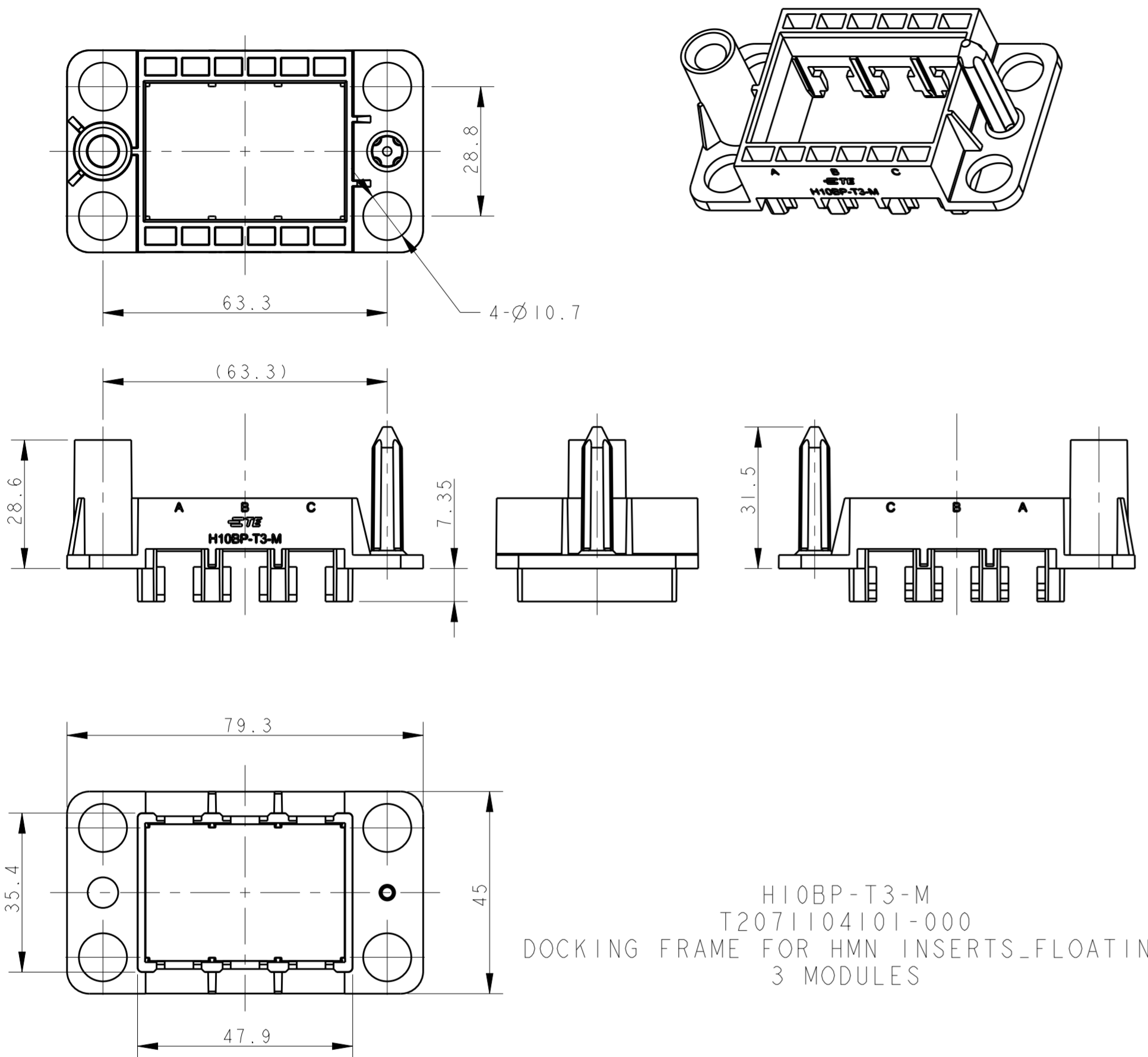
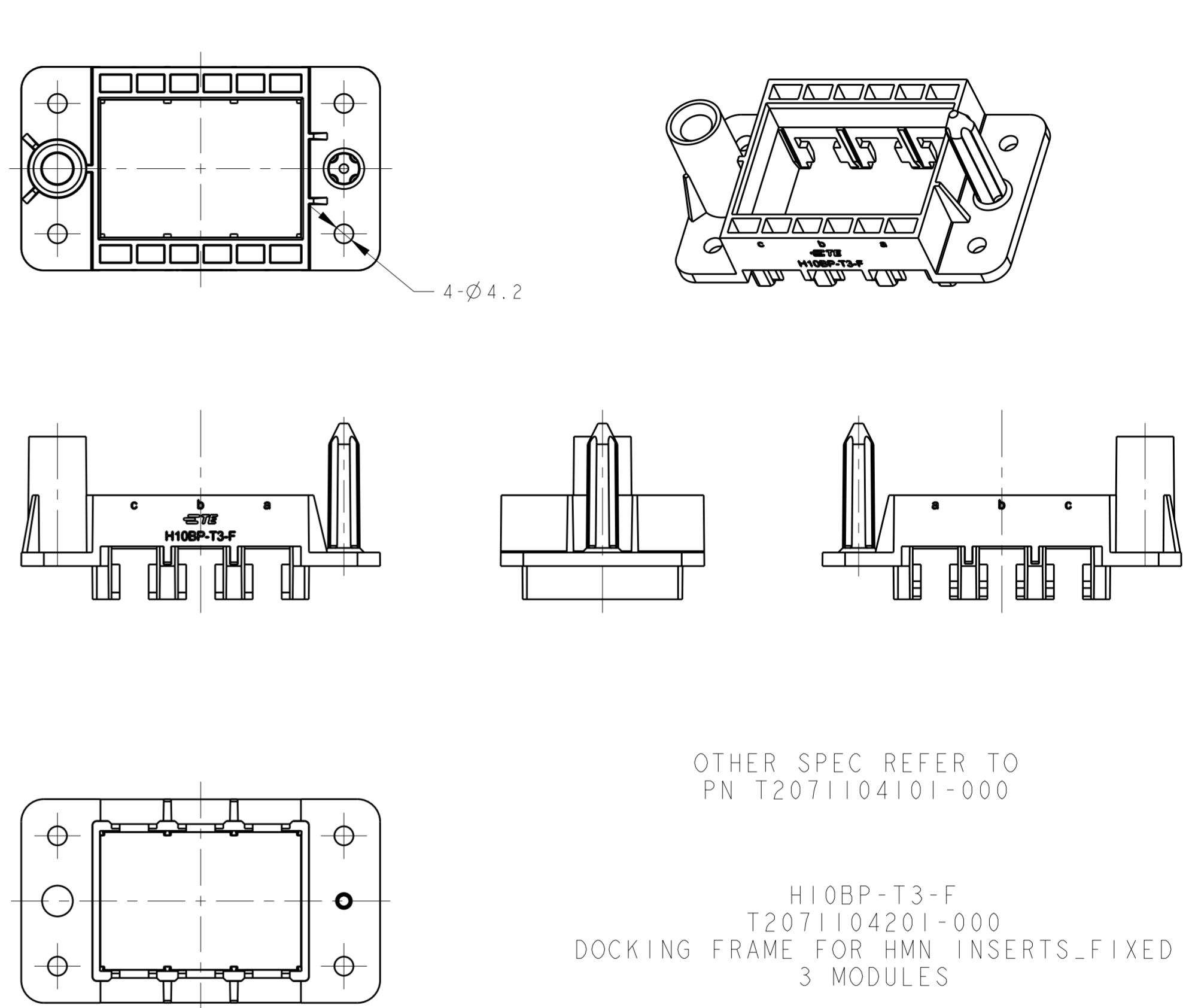


THIS DRAWING IS UNPUBLISHED. RELEASED FOR PUBLICATION 20
 © COPYRIGHT 20 BY - ALL RIGHTS RESERVED.

REVISIONS				
P	LTR	DESCRIPTION	DATE	APVD
A		INITIAL RELEASE	30DEC2015	DL CW



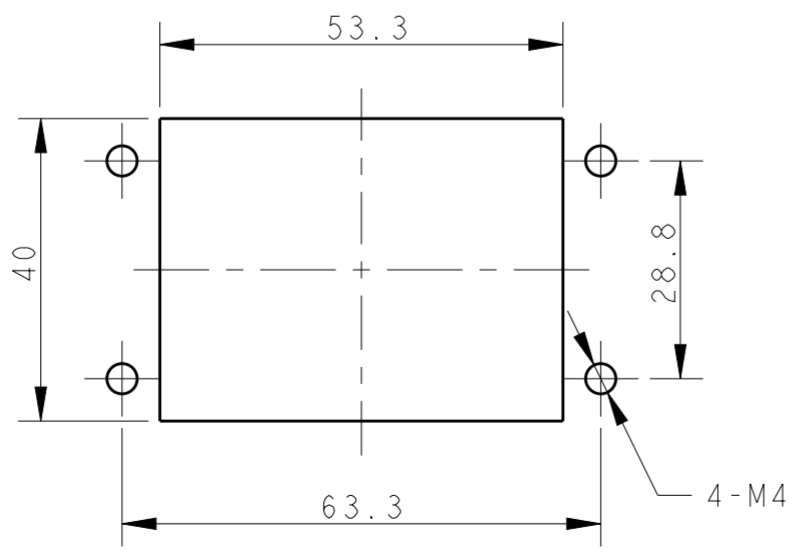
H10BP-T3-M
 T2071104101-000
 DOCKING FRAME FOR HMN INSERTS_FLOATING
 3 MODULES



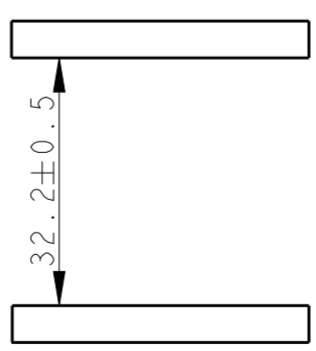
OTHER SPEC REFER TO
 PN T2071104101-000
 H10BP-T3-F
 T2071104201-000
 DOCKING FRAME FOR HMN INSERTS_FIXED
 3 MODULES

NOTES:
 1. TECHNICAL CHARACTERISTICS:
 INSULATION MATERIAL: PC
 FLAMMABILITY: UL94V-0
 MATING CYCLES: 500

注释:
 1. 技术参数:
 绝缘材料: PC
 阻燃等级: UL94V-0
 插拔次数: 500次



PANEL CUT OUT



SPACING OF TWO PANELS
 AT CLOSE STATUS

T2071104201-000	H10BP-T3-F DOCKING FRAME FOR HMN INSERTS_FIXED HMN 塑胶框架_固定端
T2071104101-000	H10BP-T3-M DOCKING FRAME FOR HMN INSERTS_FLOATING HMN 塑胶框架_浮动端
PART NUMBER 料号	PART DESCRIPTION 描述

THIS DRAWING IS A CONTROLLED DOCUMENT.		DWN DAVID LI 30DEC2015	TE Connectivity			
DIMENSIONS: mm		CHK CHRIS WANG 30DEC2015				
TOLERANCES UNLESS OTHERWISE SPECIFIED:		APVD XU XIANG 30DEC2015				
0 PLC ± 1 PLC ± 2 PLC ± 3 PLC ± 4 PLC ± ANGLES ± FINISH		NAME H10BP-T3-M/F DOCKING FRAME FOR HMN INSERTS 3 MODULES				
MATERIAL		PRODUCT SPEC 108-137168	SIZE A2	CAGE CODE -	DRAWING NO. G-T2071104X01000	RESTRICTED TO -
		APPLICATION SPEC 114-137168	WEIGHT -	SCALE 1:1	SHEET OF	REV A
		CUSTOMER DRAWING				

单击下面可查看定价，库存，交付和生命周期等信息

[>>TE Connectivity\(泰科\)](#)