

CMI-MMP201610MH-SERIES

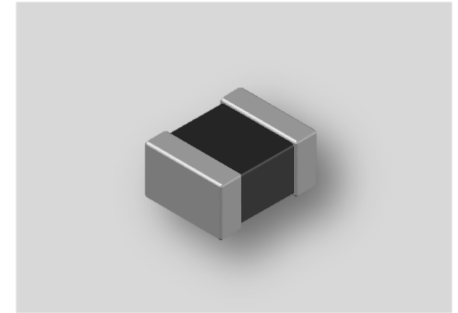


Features

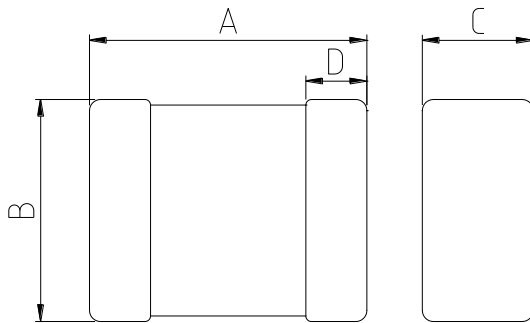
- ▶ Small size, high current and low profile.
- ▶ Metal powder molding type for EMC protection.
- ▶ Available tape and reel for auto insertion.
- ▶ RoHS compliant.
- ▶ Halogen Free.

Applications

- ▶ For DC/DC converter (Mobile phones, Tablet, Display, HDD, SSD etc.)

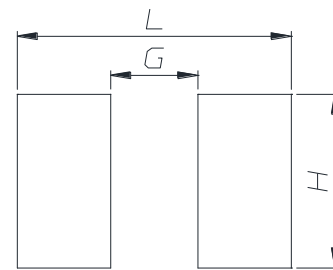


Dimension (Unit:mm)



| A | B | C | D |
|---------|---------|--------|---------|
| 2.0±0.2 | 1.6±0.2 | 1.0Max | 0.5±0.3 |

Land Pattern (Unit:mm)



| L | G | H |
|-----|-----|-----|
| 2.4 | 0.8 | 1.3 |

Specifications

| Part Number | Inductance (uH) ±20% | DCR(mohm) Max(Typ) | Isat (A) Max(Typ) | Itemp (A) Max(Typ) | Test Frequency (Hz) |
|----------------------|----------------------|--------------------|-------------------|--------------------|---------------------|
| CMI-MMP201610MH-R47M | 0.47 | 33(28) | 4.80(5.30) | 4.10(4.50) | 1M |
| CMI-MMP201610MH-1R0M | 1.0 | 60(50) | 2.90(3.50) | 2.50(2.80) | 1M |
| CMI-MMP201610MH-2R2M | 2.2 | 100(90) | 2.00(2.20) | 2.00(2.50) | 1M |
| | | | | | |
| | | | | | |
| | | | | | |
| | | | | | |
| | | | | | |

- Isat: When based on the inductance change rate (approximately 30% below in the initial value)
- Itemp: When based on the temperature increase (Temperature increase of approximately 40°C by self heating)
- Operating Temperature Range(including self temperature) : -40°C ~ +125 °C

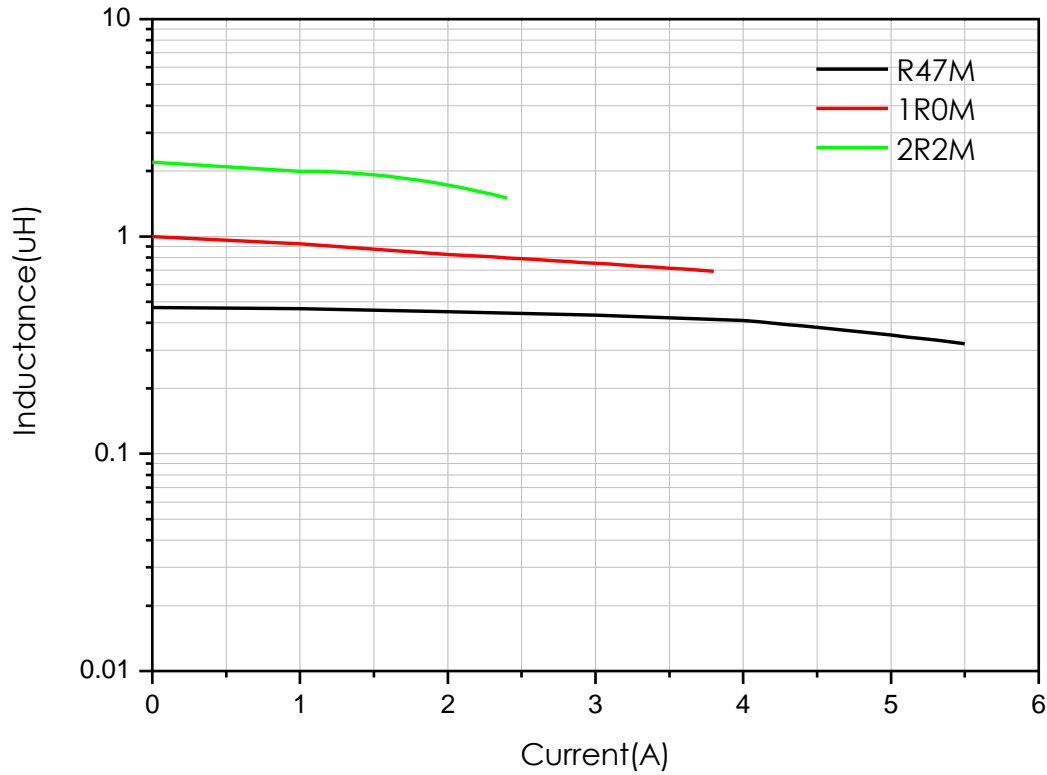
Note 1 : Circuit design, component placement, PCB trace size and thickness, airflow and other cooling. Provision all affect the part Temperature. Part temperature should be verified in the end application.

• You can also contact us by e-mail : coilmaster@coilmaster.com

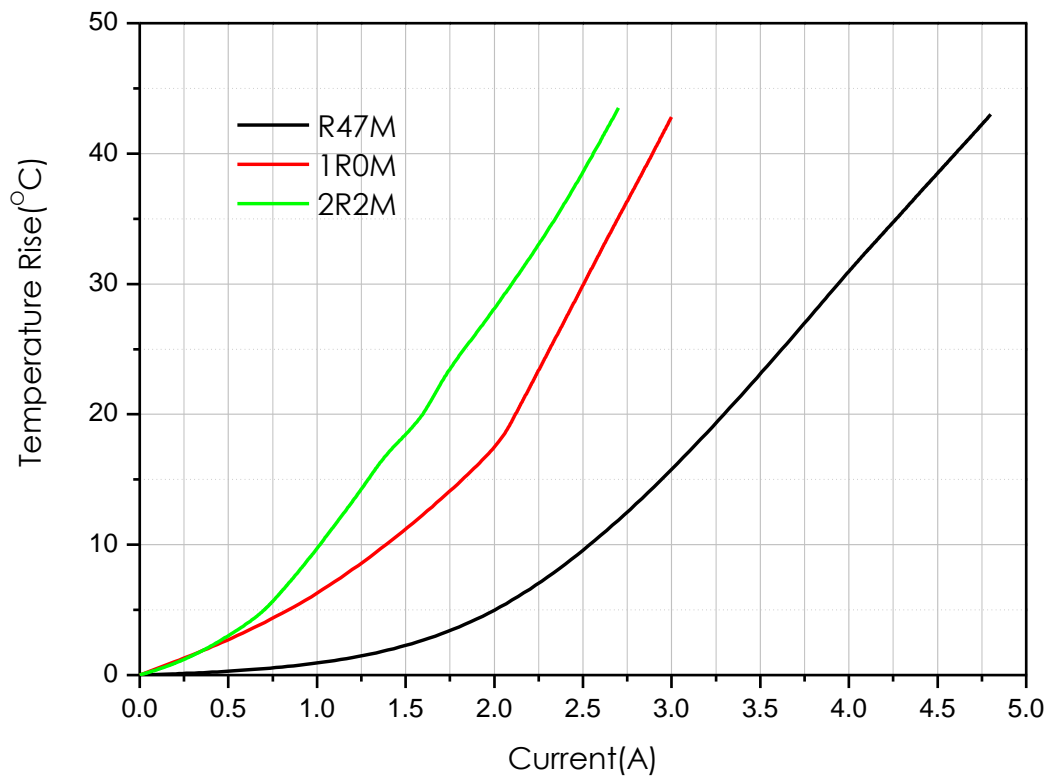
- All specifications are subject to change without notice.
- Update date : 2020.01.02

www.coilmaster.com

DC BIAS vs INDUCTANCE



DC BIAS vs TEMPERATURE

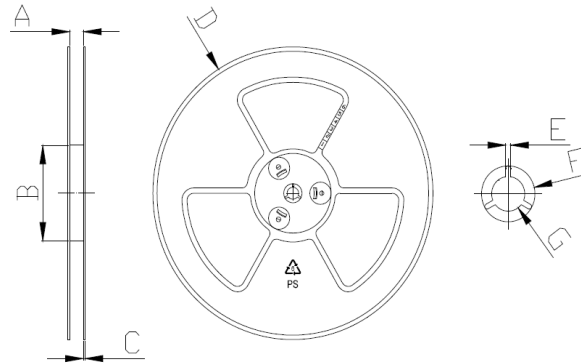


- You can also contact us by e-mail : coilmaster@coilmaster.com
- All specifications are subject to change without notice.
- Update date : 2020.01.02

Packaging

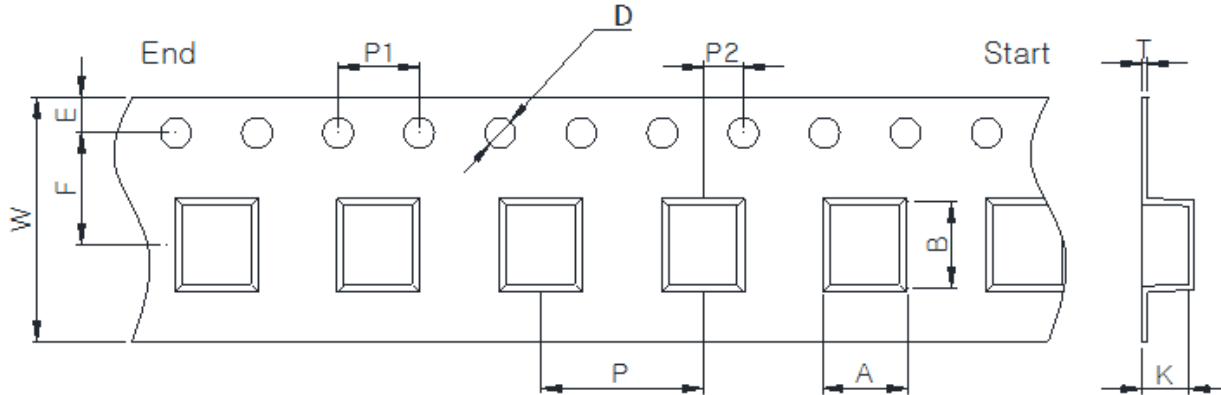
(1) Package quantity : 3,000 (pcs/reel)

(2) Reel Dimensions (unit:mm)



| A | B | C | D | E | F | G |
|-------|-------|-------|-------|-------|-------|-------|
| 8.50 | 60.0 | 1.50 | 178.0 | 2.70 | 22.50 | 13.50 |
| +0.50 | +2.00 | +0.20 | +1.00 | +0.30 | +0.50 | +0.50 |
| -0.50 | -2.00 | -0.20 | -1.00 | -0.30 | -0.50 | -0.50 |

(3) Tape Dimensions



| W | A | B | K | E | F | P | P1 | P2 | D | T |
|-------|-------|-------|-------|-------|-------|-------|-------|-------|-------|-------|
| 8.00 | 1.95 | 2.35 | 1.10 | 1.75 | 3.50 | 4.00 | 4.00 | 2.00 | 1.50 | 0.25 |
| +0.10 | +0.05 | +0.05 | +0.10 | +0.10 | +0.10 | +0.10 | +0.10 | +0.10 | +0.10 | +0.05 |
| -0.10 | -0.05 | -0.05 | -0.10 | -0.10 | -0.10 | -0.10 | -0.10 | -0.10 | -0.00 | -0.05 |

Ilsan Sales Office (KOREA) +82)31-904-1444
 Shenzhen Sales Office (CHINA) +86)755-8663-6929
 Hungary Sales office (EUROPE) +36)30-913-7706

H.K Sales Office (HONGKONG) +852)2711-5551
 LA Sales Office (USA) +1)866-446-3586

• You can also contact us by e-mail : coilmaster@coilmaster.com

- All specifications are subject to change without notice.
- Update date : 2020.01.02

www.coilmaster.com

单击下面可查看定价，库存，交付和生命周期等信息

[>>coilmaster\(卡尔马斯特\)](#)