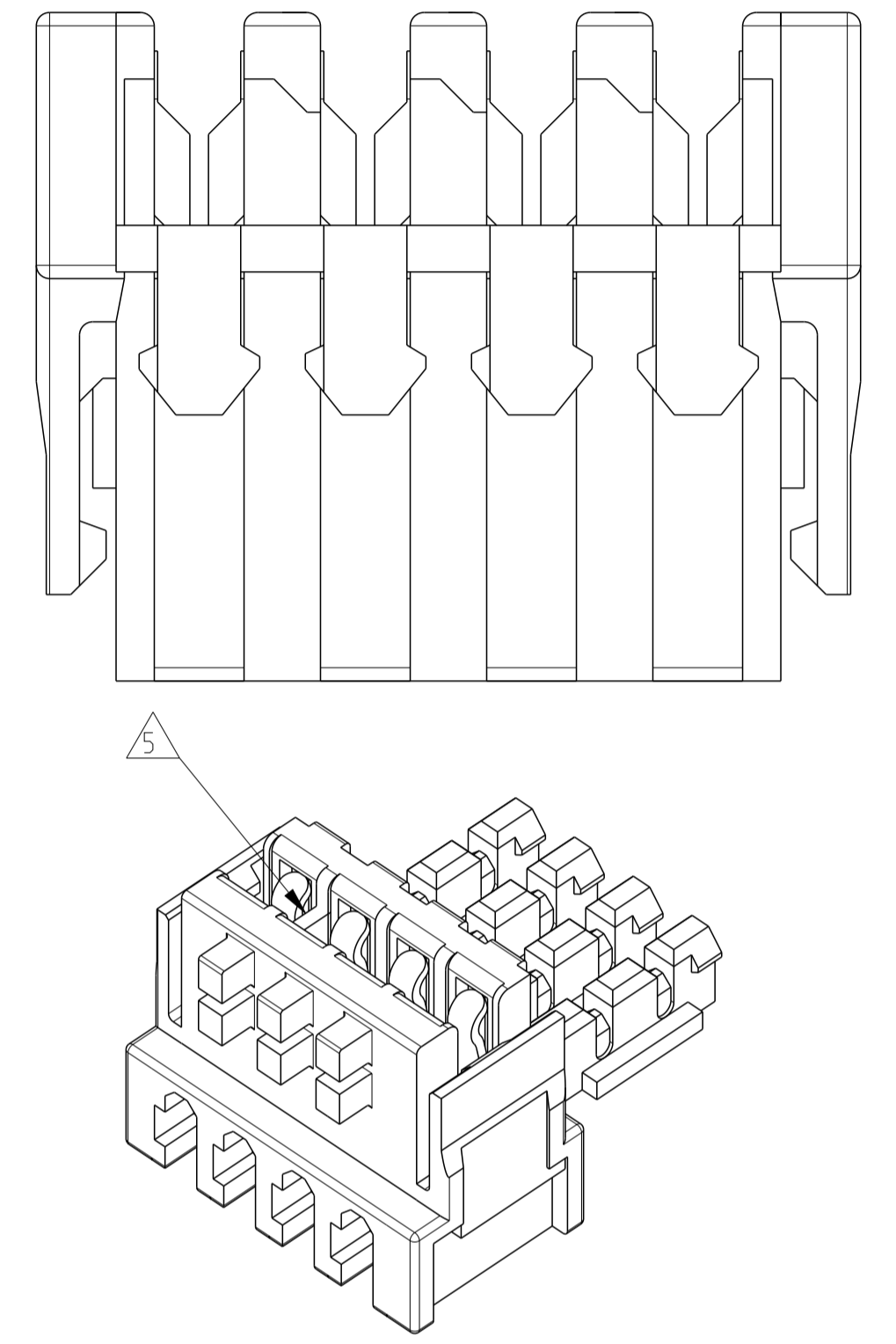
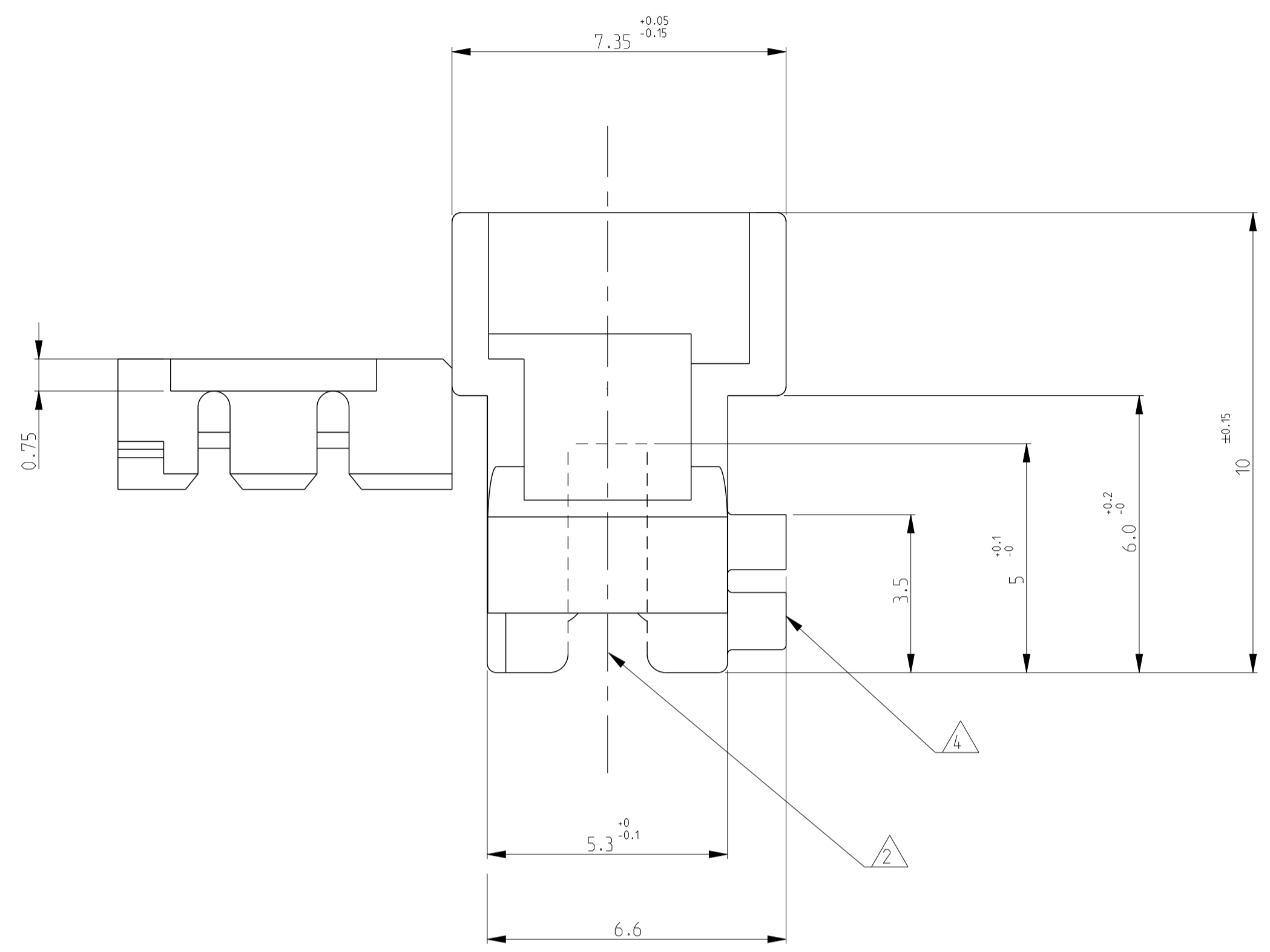
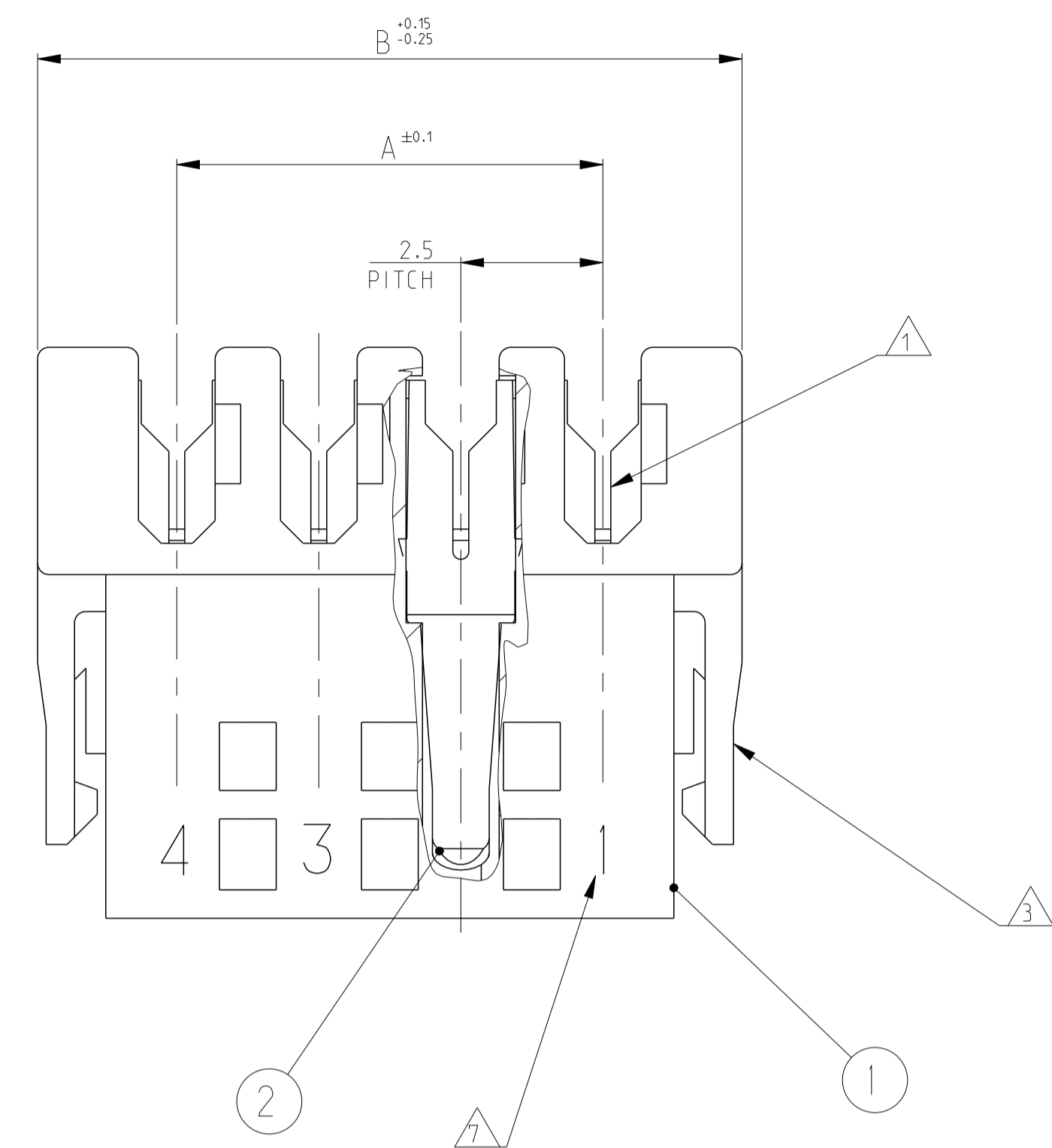
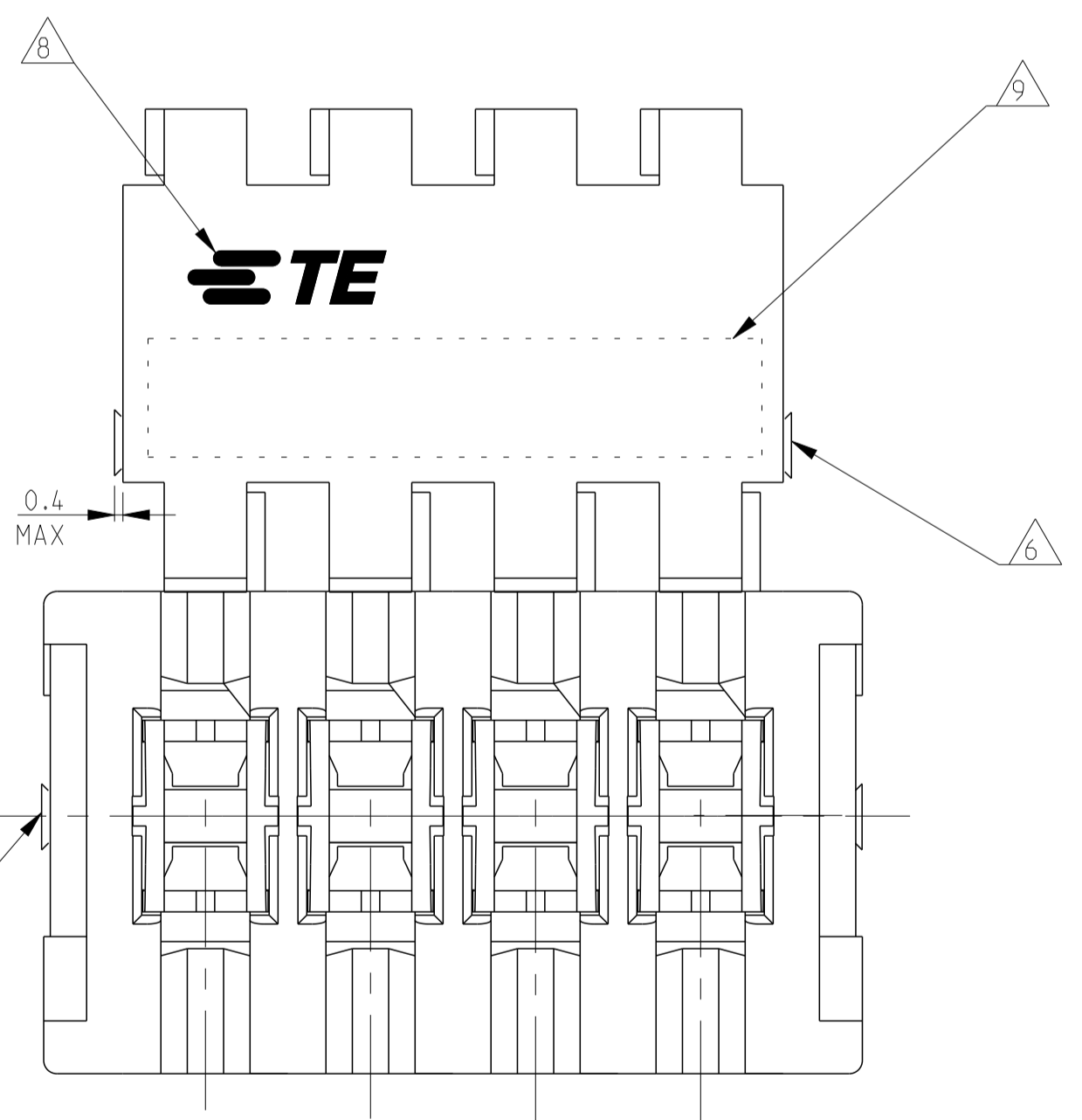


LOC		DIST		REVISIONS			
P	LTN	DESCRIPTION	DATE	DMN	APVD		
A22	ECR-19-004458		26MAR2019	LZ	FL		
A23	ECR-19-005718		15APR2019	LZ	FL		
B	ECR-19-015553		31OCT2019	SM	FL		



SCALE 5:1



- 1 WIRE RANGE : STRANDED 0.22-0.35 mm<sup>2</sup> (INS. DIA. 1.30±0.1)
- 2 MATING PART: P.C.B. EDGE, DOUBLE SIDE, THK 1.5 (COPPER CLADDING INCLUDED)
- 3 SIDE LOCKING DEVICE
- 4 KEYING RIBS TO BE REMOVED BY TERMINATION MACHINE
- 5 POLARIZATION RIBS BETWEEN CAVITIES
- 6 CUT OFF DIMENSION DUE TO PRODUCTION PROCESS
- 7 CIRCUIT No. IDENTIFICATION
- 8 TE TRADEMARK (OPTIONAL POSITION)
- 9 TAMPOGRAPHIC COLOUR CODE AREA (P/Ns IDENTIFICATION BEFORE CRIMPING AREA)
- 10 FOR PCB LAYOUT, SEE PAGES 2-3  
FOR CONNECTION VIEW LAYOUT, SEE PAGE 3
- 11 NOT YET RELEASED FOR PRODUCTION
- 12 NOT DEFINED DURING PRELIMINARY STATUS
- 13 PBT GF
- 14 PBT GF, UL94-V0 & GWPEPT 750 NO-FLAME, NATURAL

COLOUR CODE	POLARIZ. RIB POS.	HSG POS.	DIM.A	DIM.B	TE P/N	TE P/N
BLACK	13/14	14	32.5	37.4	1-284865-4	2311503-4
RED	11/12	12	27.5	32.4	2-284865-2	1-2311503-2
BLACK	2/3	10	22.5	27.4	1-284865-2	2311503-2
RED	9/10	8	17.5	22.4	2-284865-0	2-2311502-0
BLACK	2/3	9	20.0	24.9	0-284865-9	2311502-9
RED	3/4	7	15.0	19.9	2-284865-8	1-2311502-8
BLACK	2/3	5	10.0	14.9	0-284865-7	2311502-7
-	5/6	6	12.5	17.4	5-284865-6	4-2311502-6
ORANGE	5/6				4-284865-6	3-2311502-6
OBSOLETE	BLUE	1/2			3-284865-6	-
RED	4/5				2-284865-6	1-2311502-6
BLACK	2/3				0-284865-6	2311502-6
GREY	1/2				3-284865-5	2-2311502-5
RED	3/4				2-284865-5	1-2311502-5
BLACK	2/3				0-284865-5	2311502-5
RED	3/4				3-284865-4	1-2311502-4
OBSOLETE	RED	N/A			2-284865-4	-
BLACK	1/2	4	7.5	12.4	0-284865-4	2311502-4
RED	1/2	3	5.0	9.9	2-284865-3	1-2311502-3
BLACK	2/3				0-284865-3	2311502-3

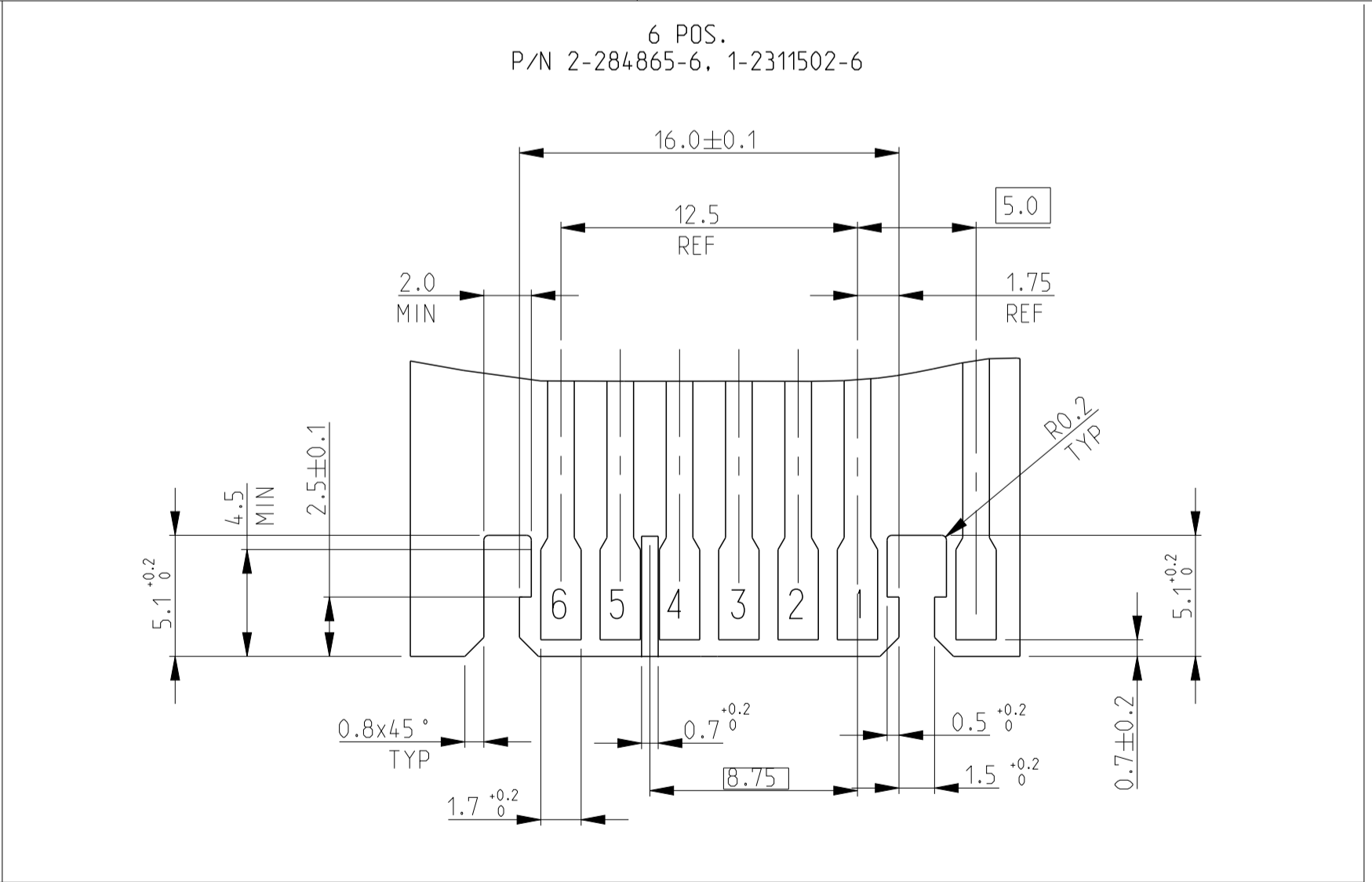
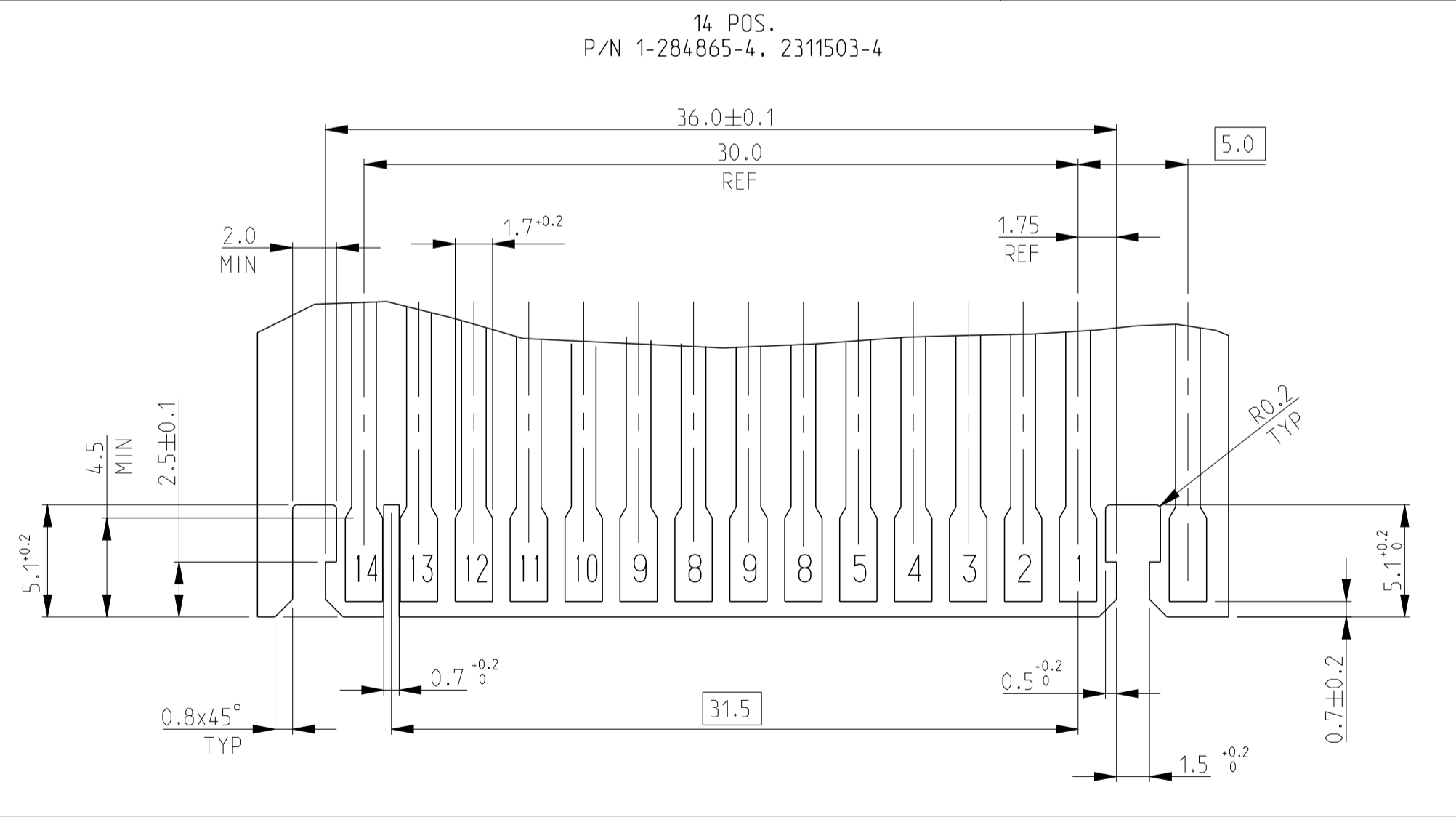
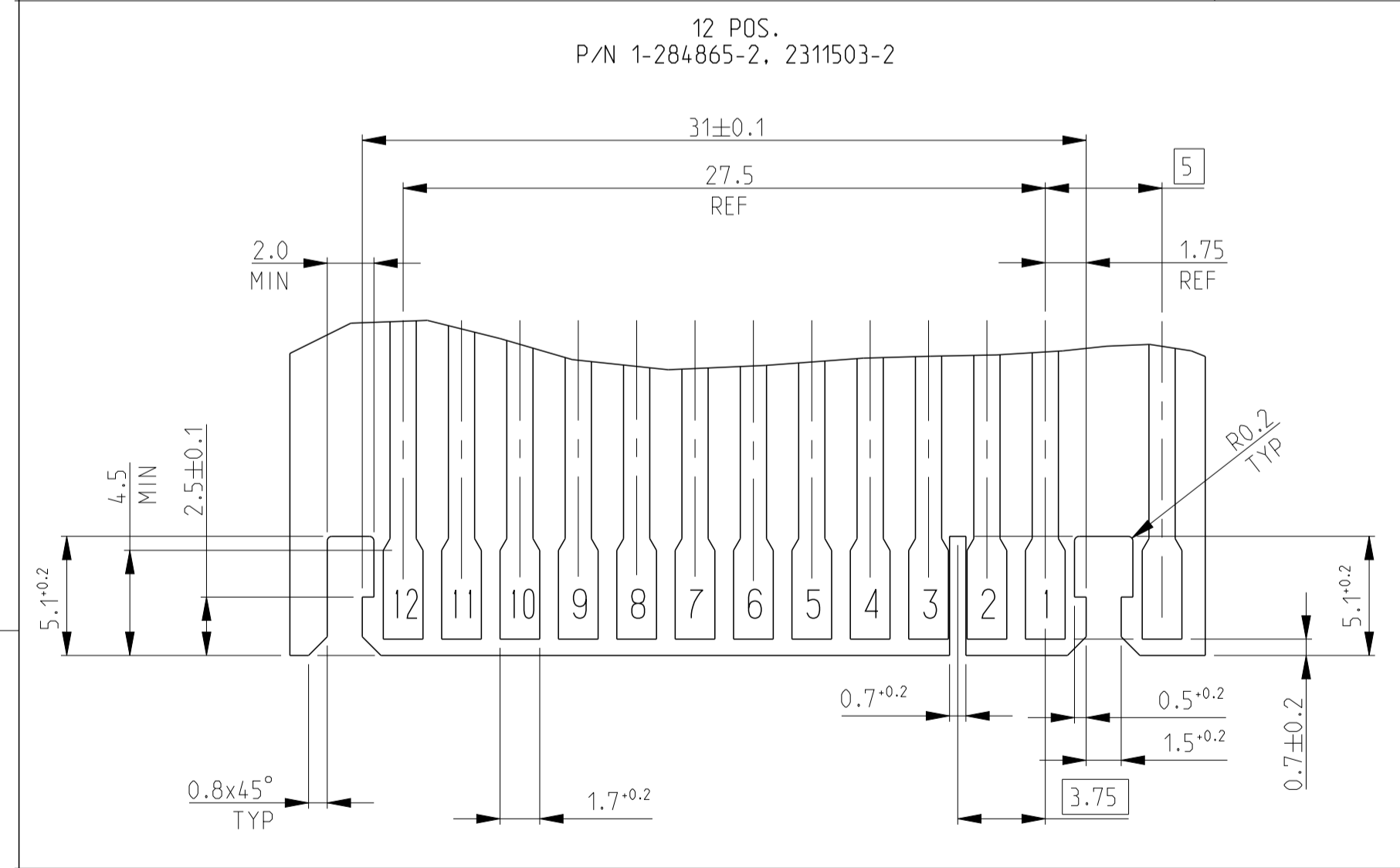
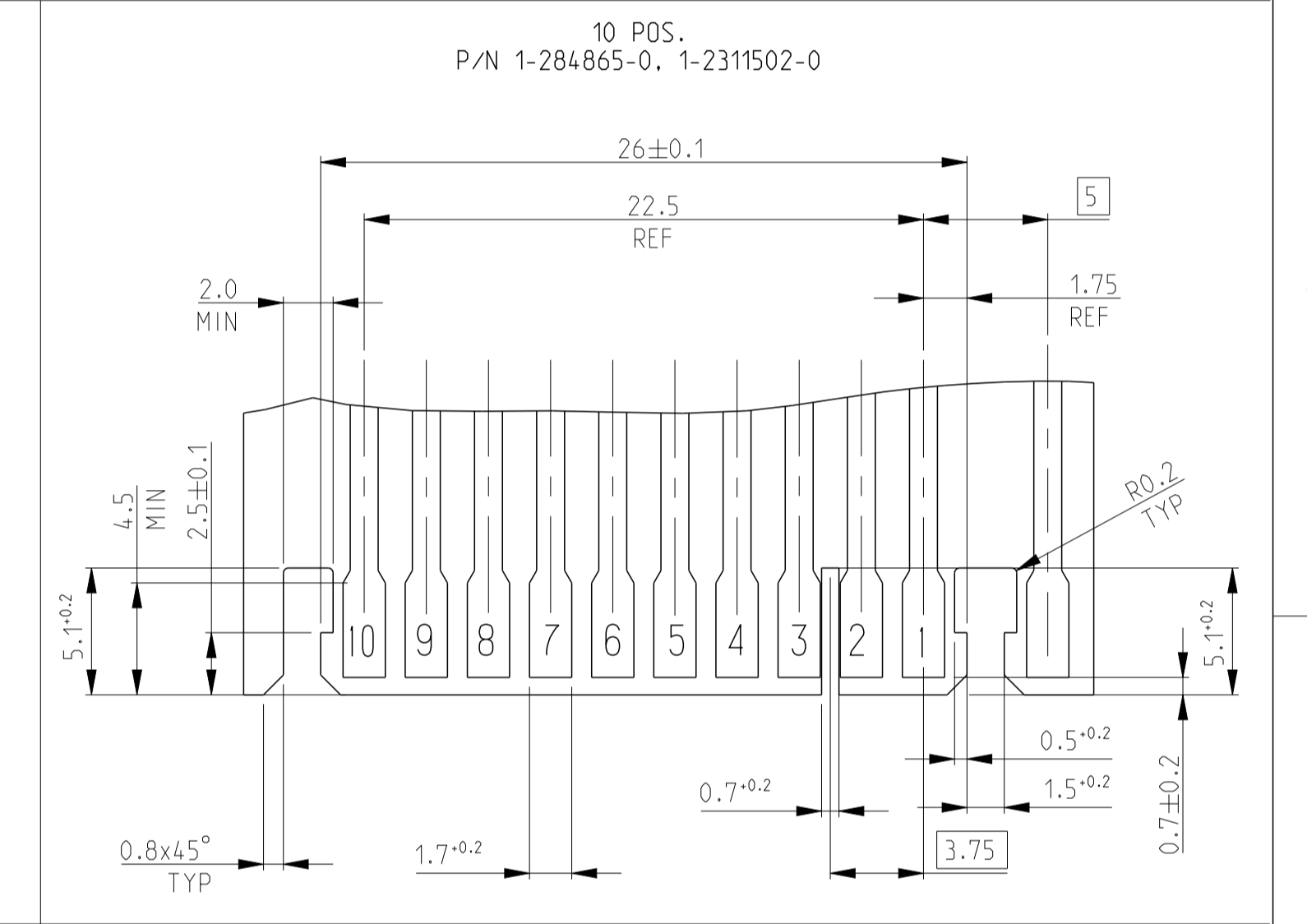
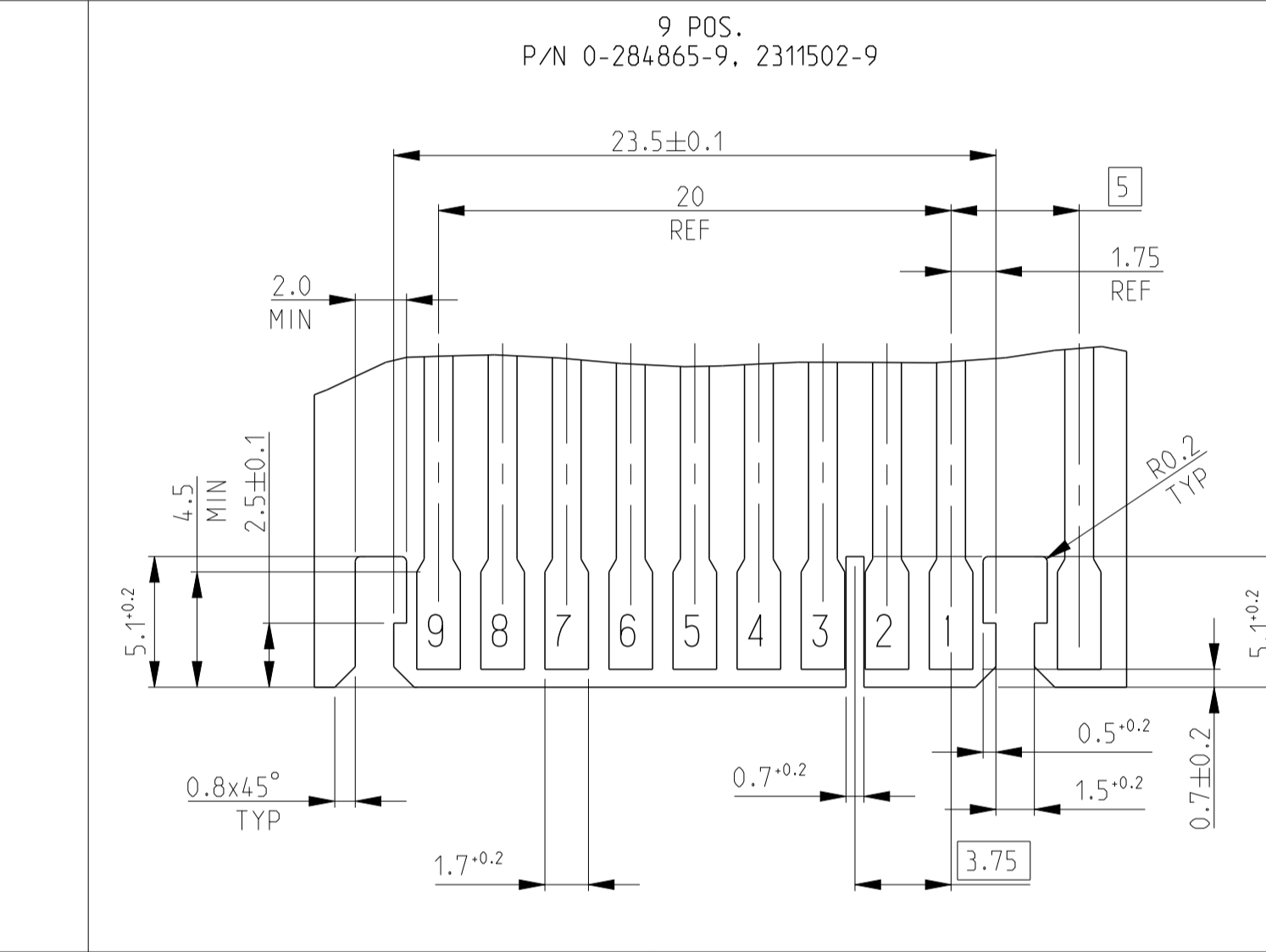
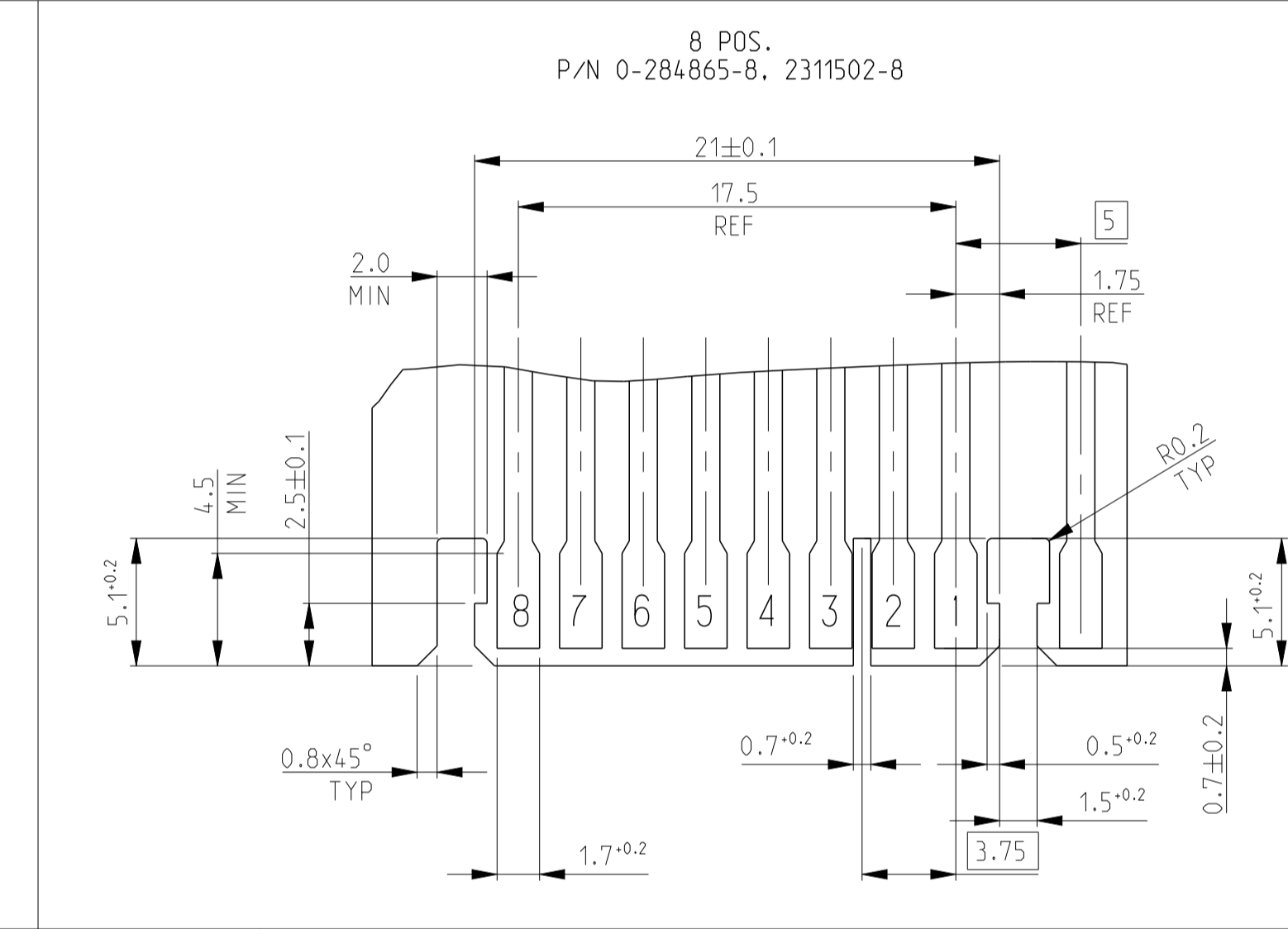
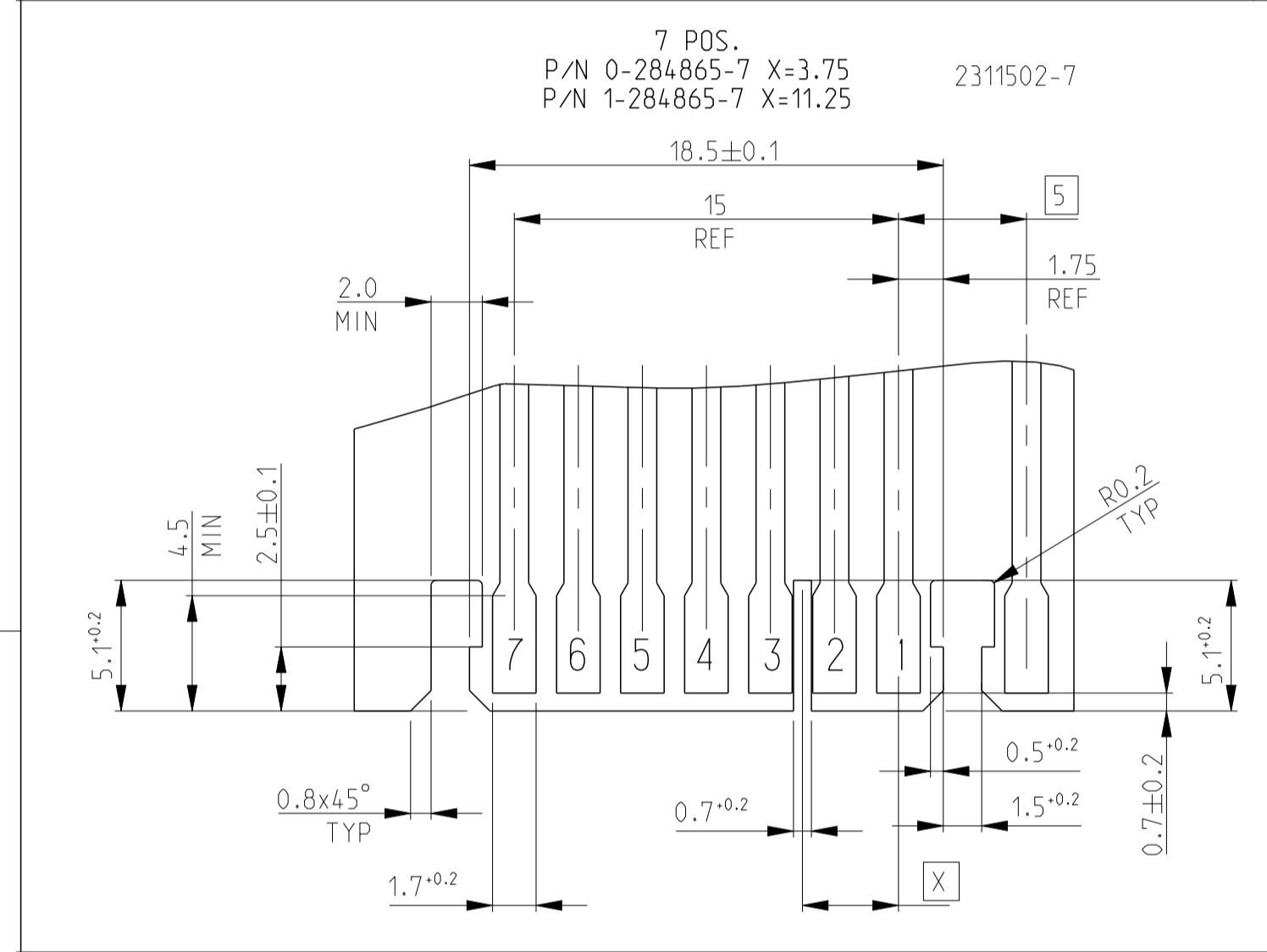
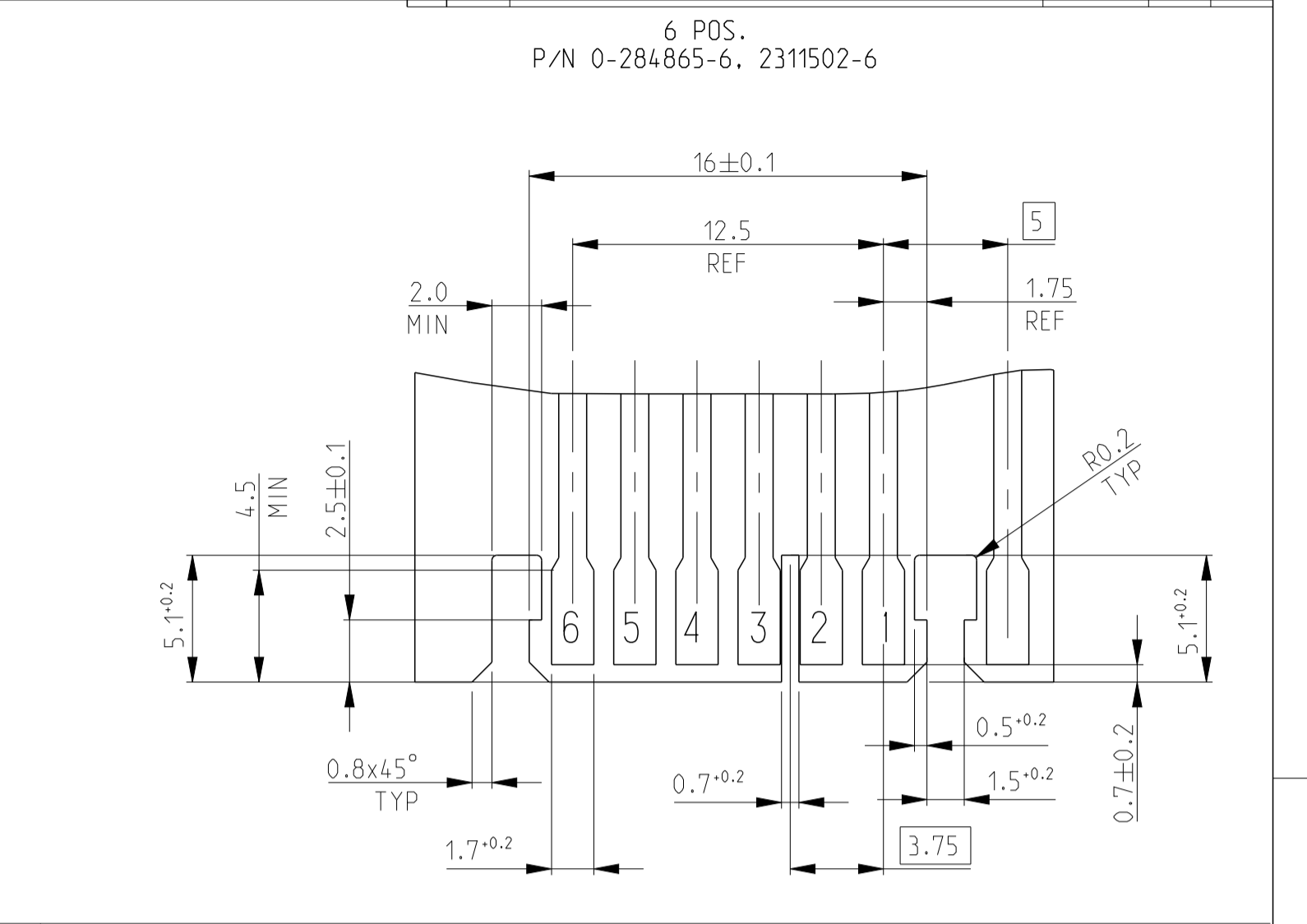
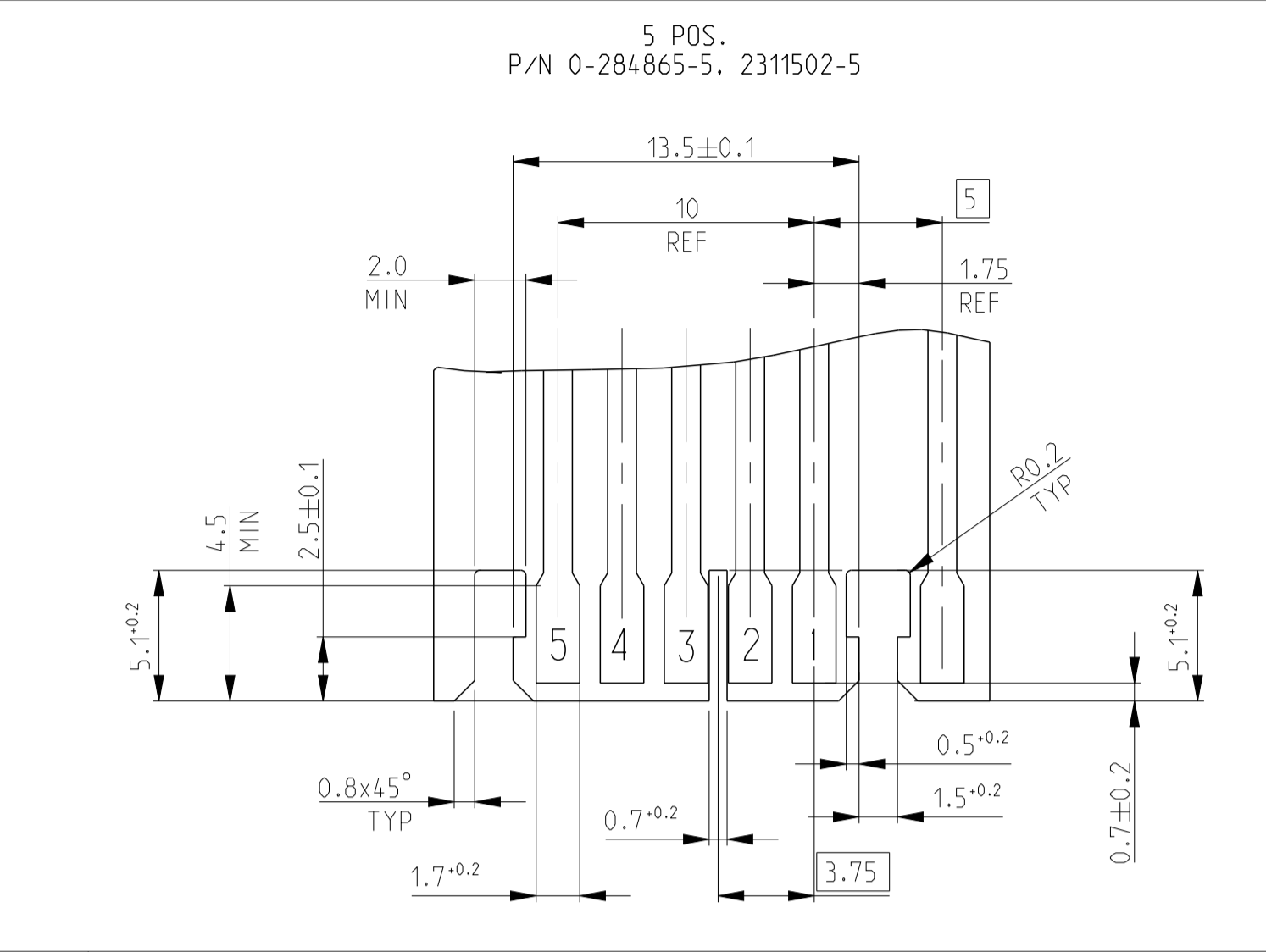
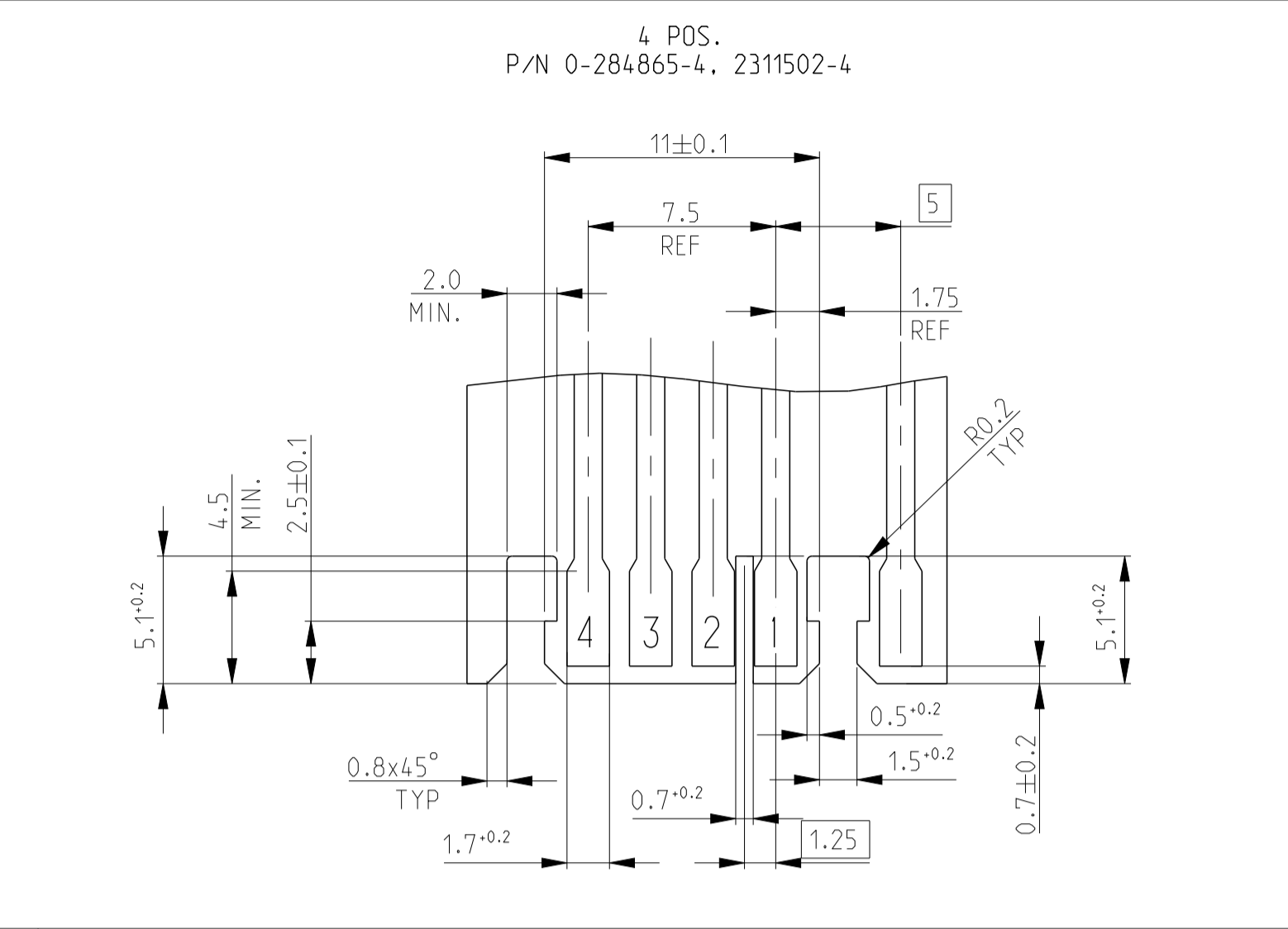
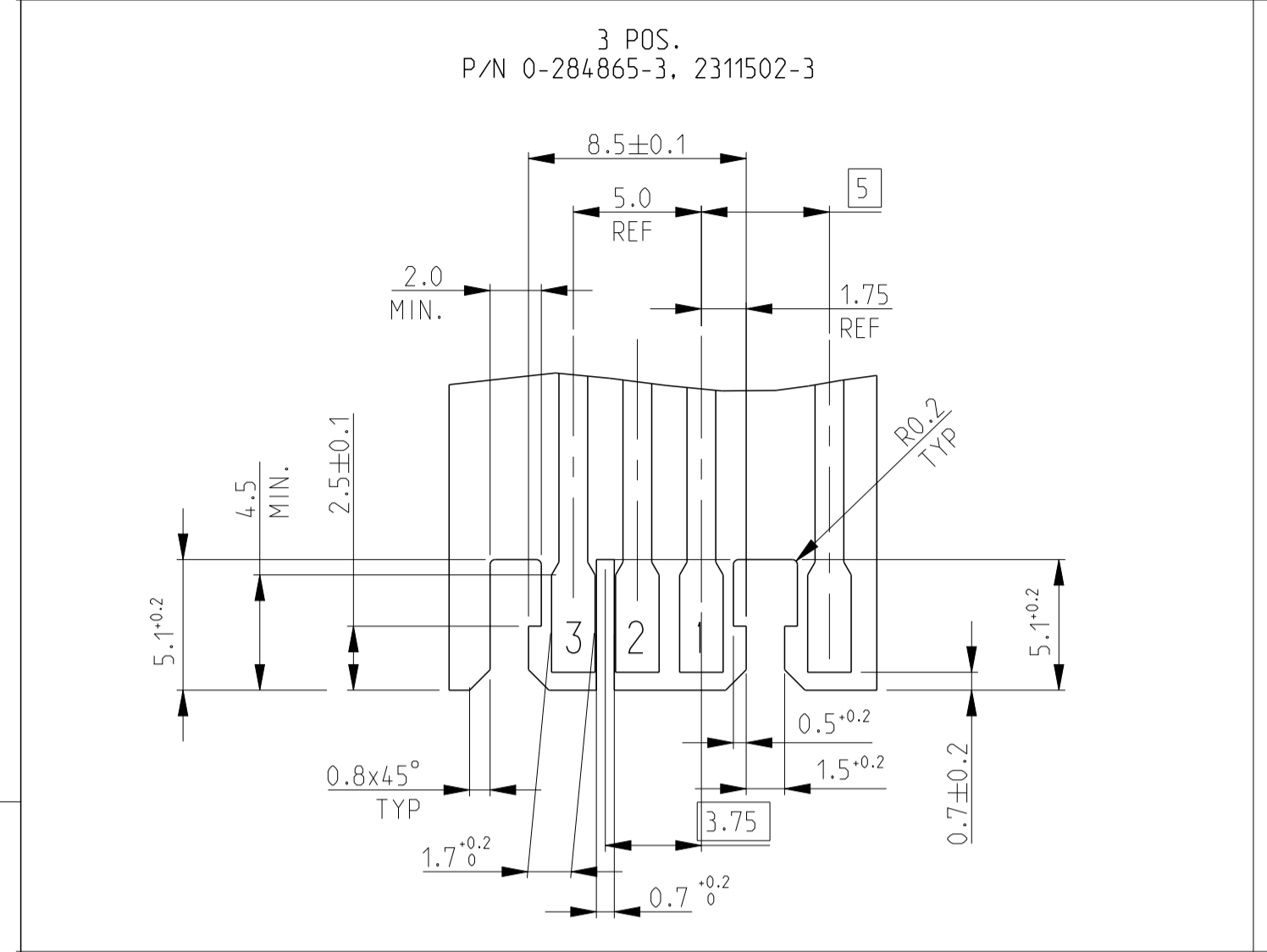
P/N 0-284865-4 AS SHOWN

-				THIS DRAWING IS A CONTROLLED DOCUMENT.		DMN R. FABRIS 03JUL2002		TE Connectivity	
SEE TABLE	PH. BRONZE, TIN PLATED	IDC RECEPTACLE CONTACT	2	DIMENSIONS: mm	TOLERANCES UNLESS OTHERWISE SPECIFIED:	APVD: TURCO		NAME: DUOPLUG 2.5 FEMALE CONN., SIDE LOCKING KEYED (FULLY LOADED)	
Q.TY	MATERIAL	DESCRIPTION	ITEM	0 PLC ±0.2 1 PLC ±0.2 2 PLC ±0.2 3 PLC ±0.2 4 PLC ±0.2 ANGLES ±1°		PRODUCT SPEC 108-20238		APPLICATION SPEC 116-18049-1	
1	REVISIONE DELL'ASSEMBLATO (REVISION OF EACH ASSY NO)			MATERIAL SEE TABLE		WEIGHT		SIZE CAGE CODE DRAWING NO RESTRICTED TO	
ELENCO DEI COMPONENTI (PARTS LIST)				SEE TABLE		A1 00779 C=284865		Customer Drawing SCALE 10:1 SHEET 1 OF 4 REV B	

### PCB LAYOUT -Soldering side-

(SCALE 4:1)

LOC		DIST		REVISIONS			
P	LTN	DESCRIPTION	DATE	OWN	APVD		
-	-	SEE SHEET 1	-	-	-		



THIS DRAWING IS A CONTROLLED DOCUMENT. OWN R. FABRIS 03JUL2002  
 DIMENSIONS: mm  
 TOLERANCES UNLESS OTHERWISE SPECIFIED:  
 0 PLC # # # # #  
 1 PLC # # # # #  
 2 PLC # # # # #  
 3 PLC # # # # #  
 4 PLC # # # # #  
 ANGLES # # # # #  
 MATERIAL SEE TABLE  
 FINISH SEE TABLE

Customer Drawing

APVD E. TURCO  
 PRODUCT SPEC  
 108-20238  
 APPLICATION SPEC  
 116-18049-1  
 WEIGHT -

NAME  
 DUOPLUG 2.5 FEMALE CONN.,  
 SIDE LOCKING  
 KEYED (FULLY LOADED)

SIZE CAGE CODE DRAWING NO RESTRICTED TO  
 A1 00779 C=284865 -

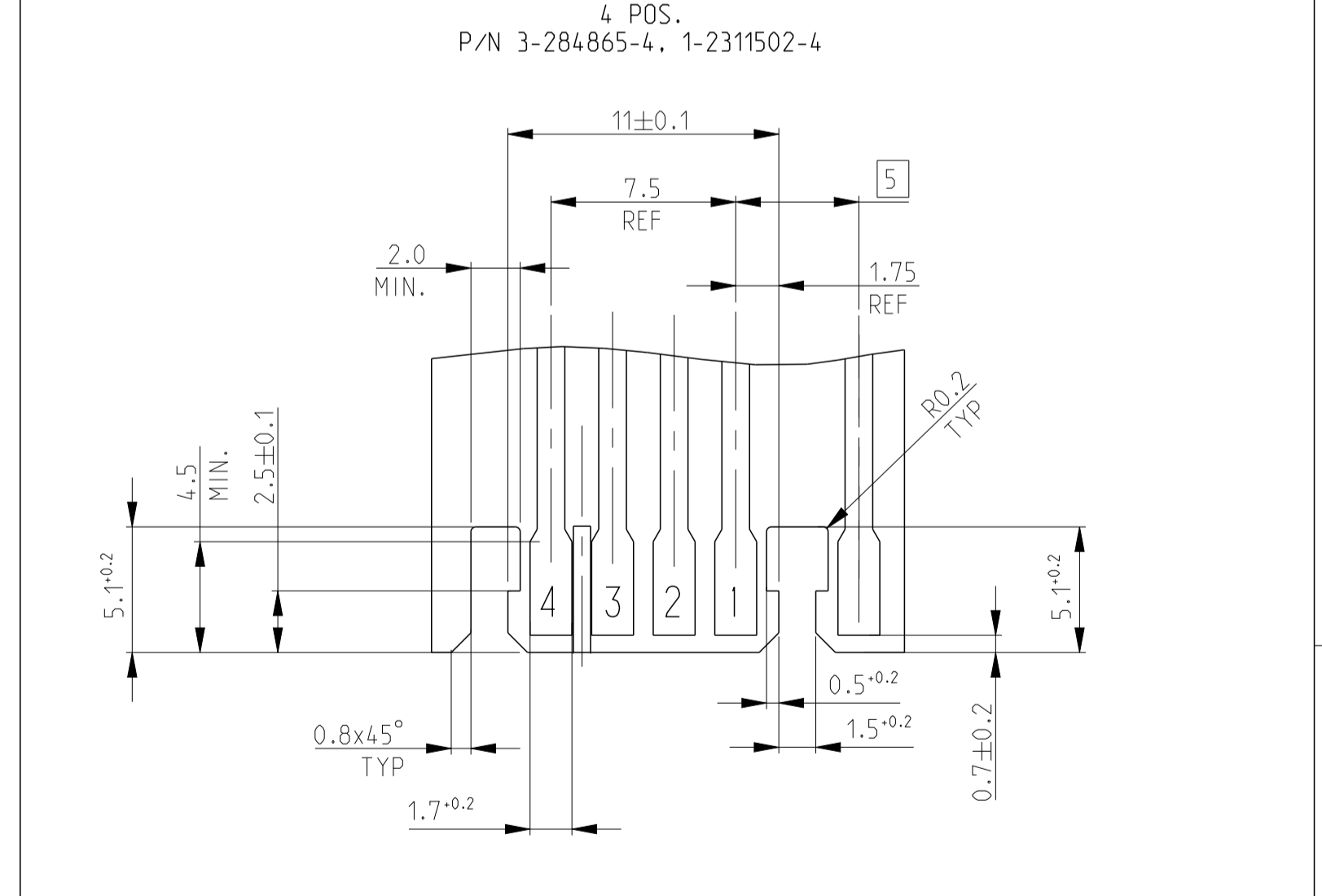
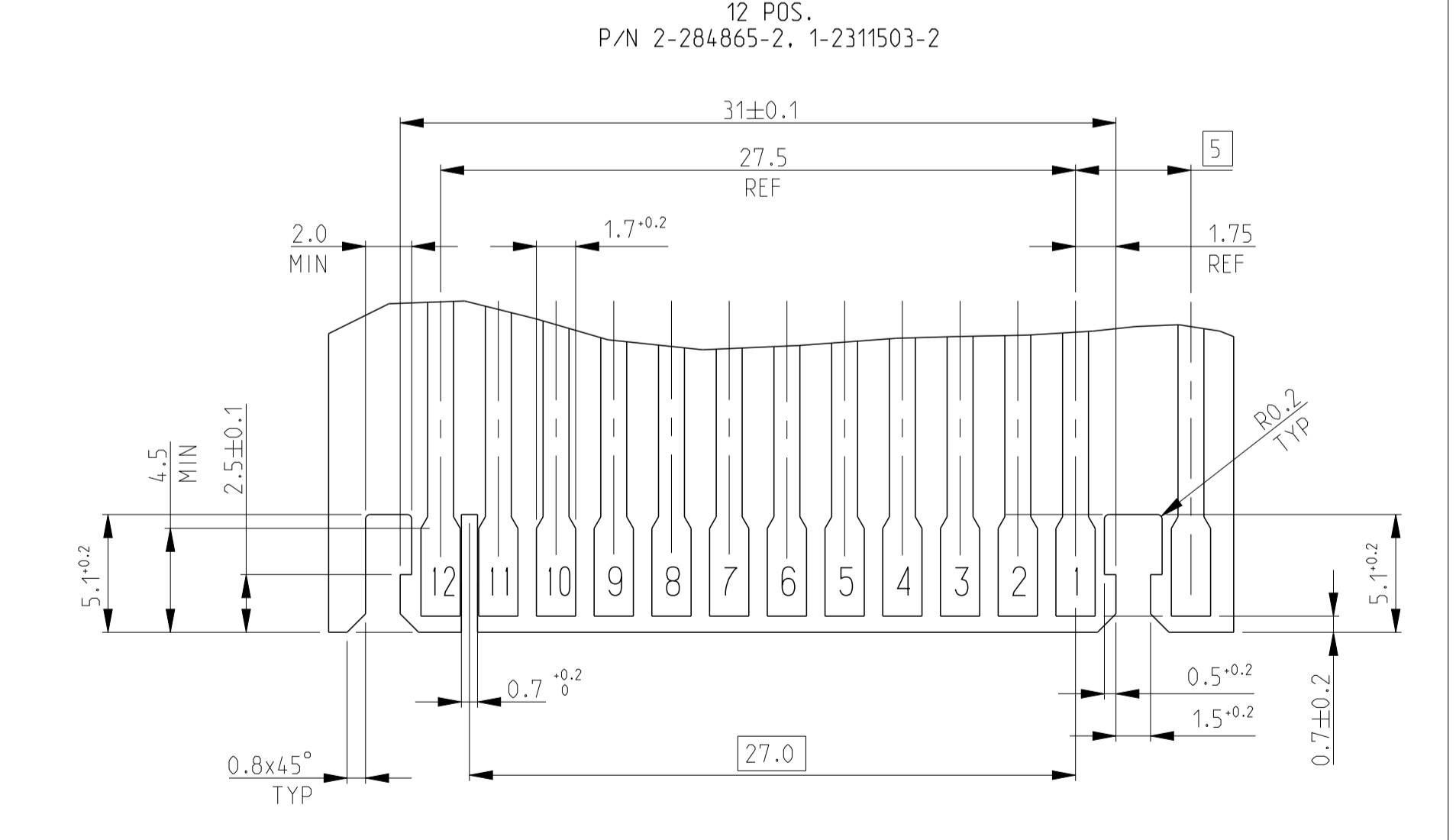
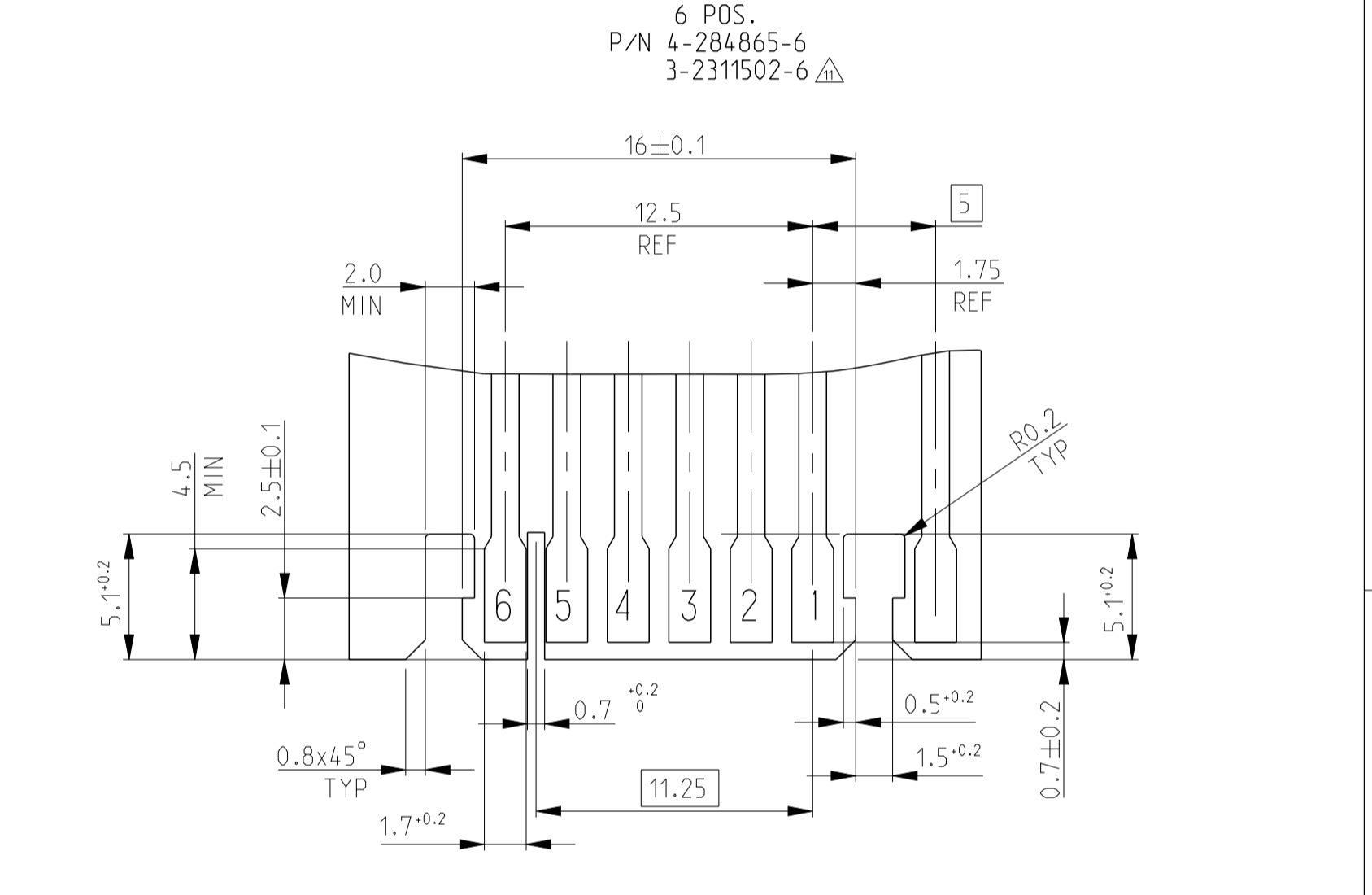
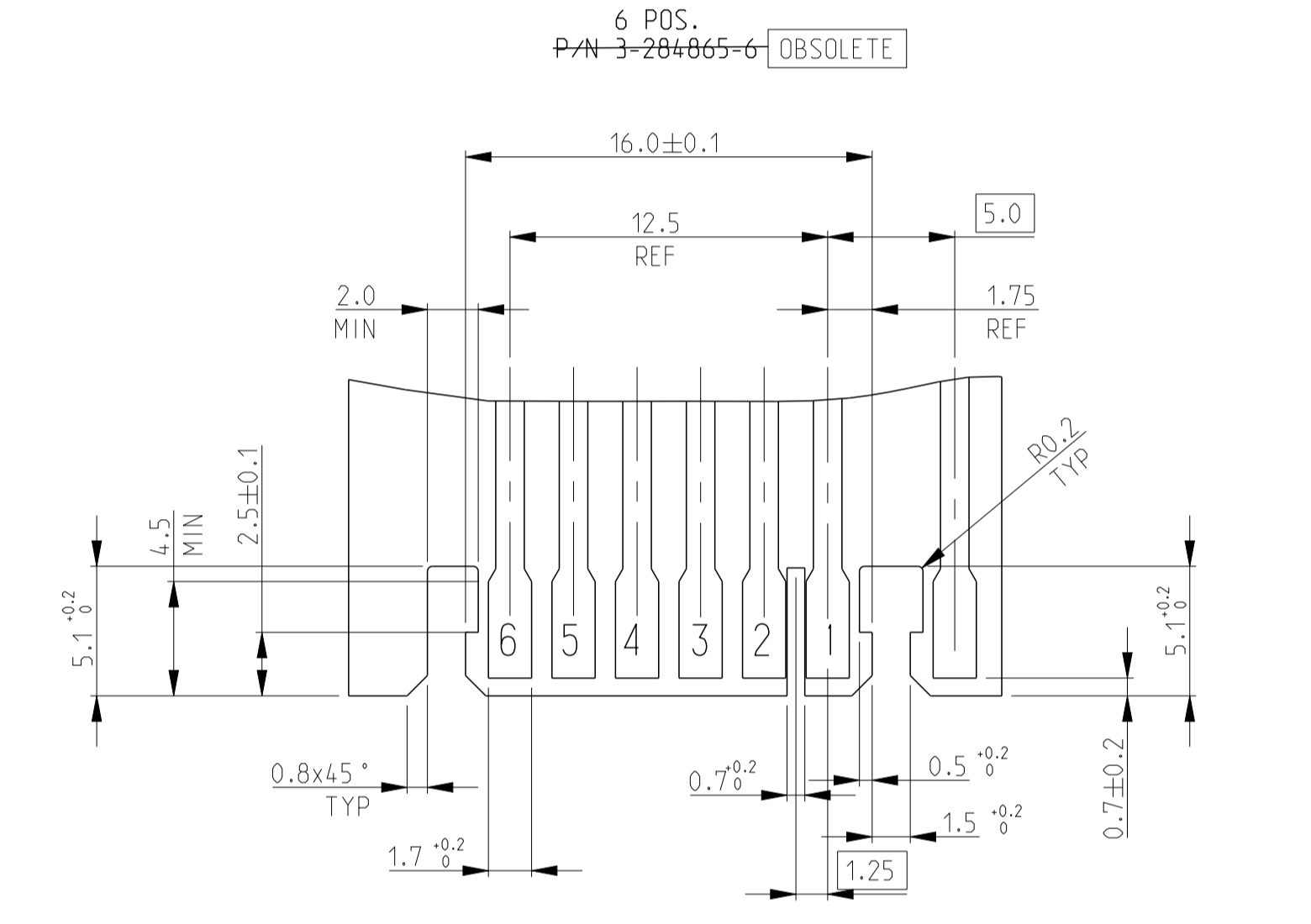
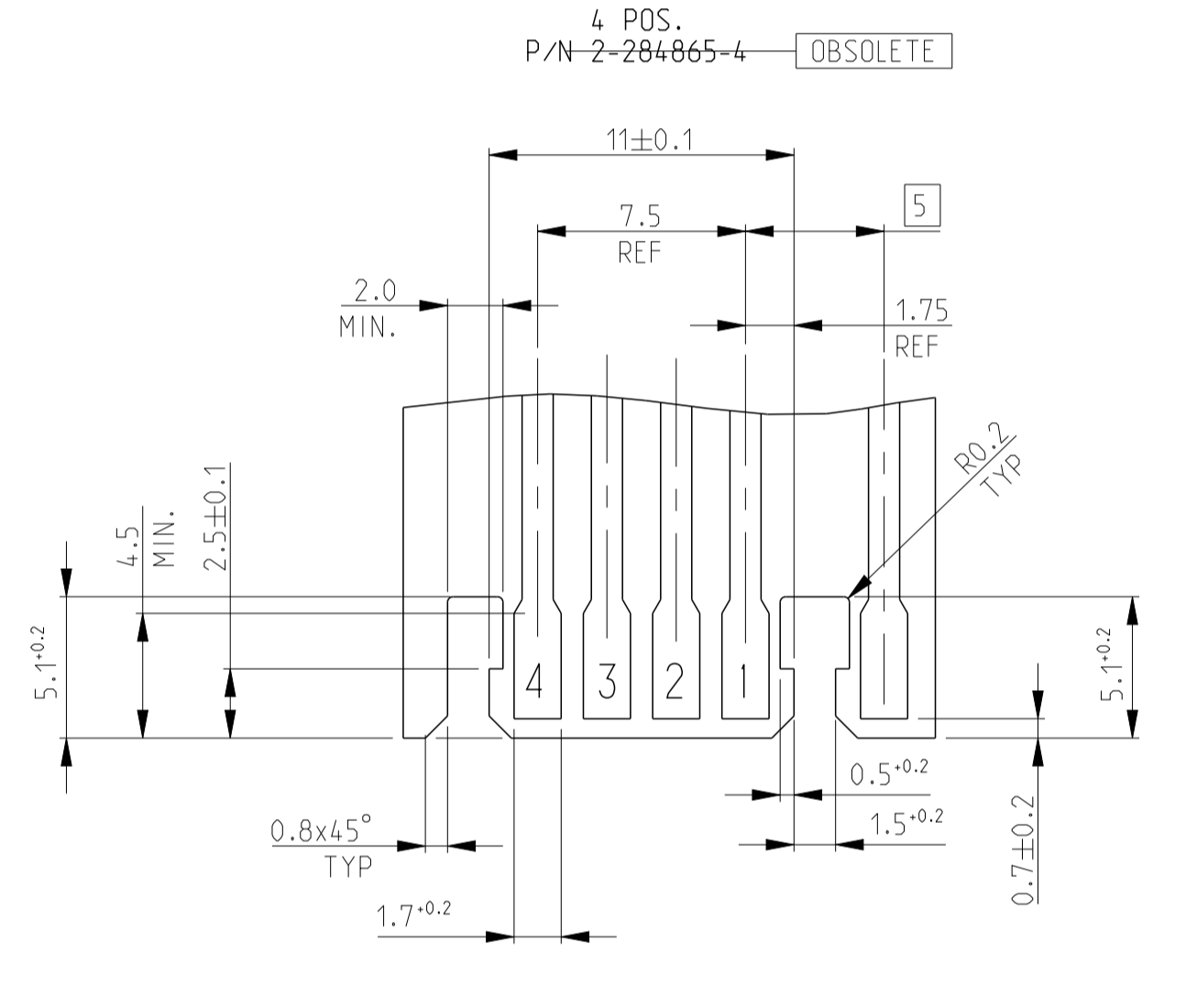
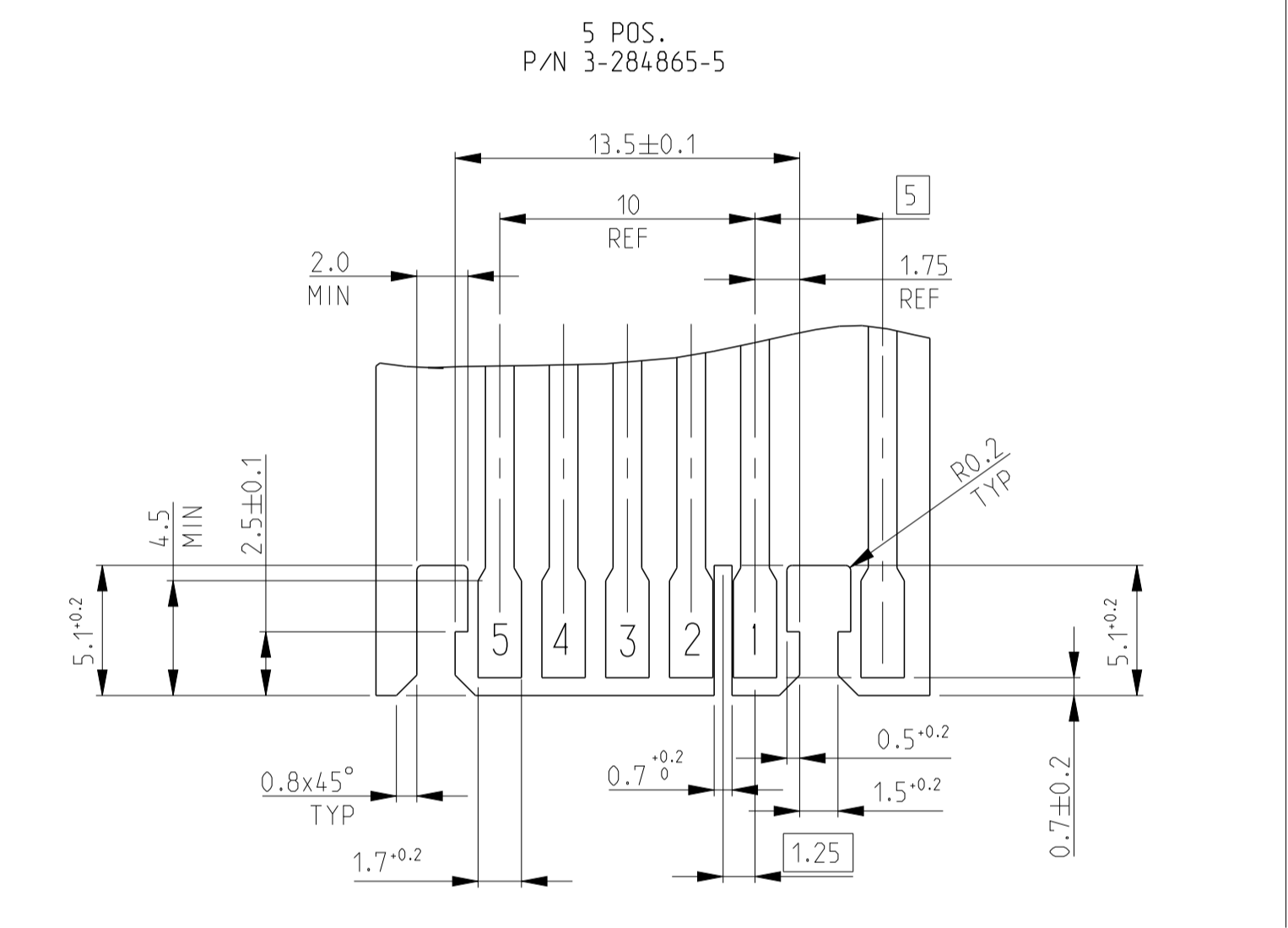
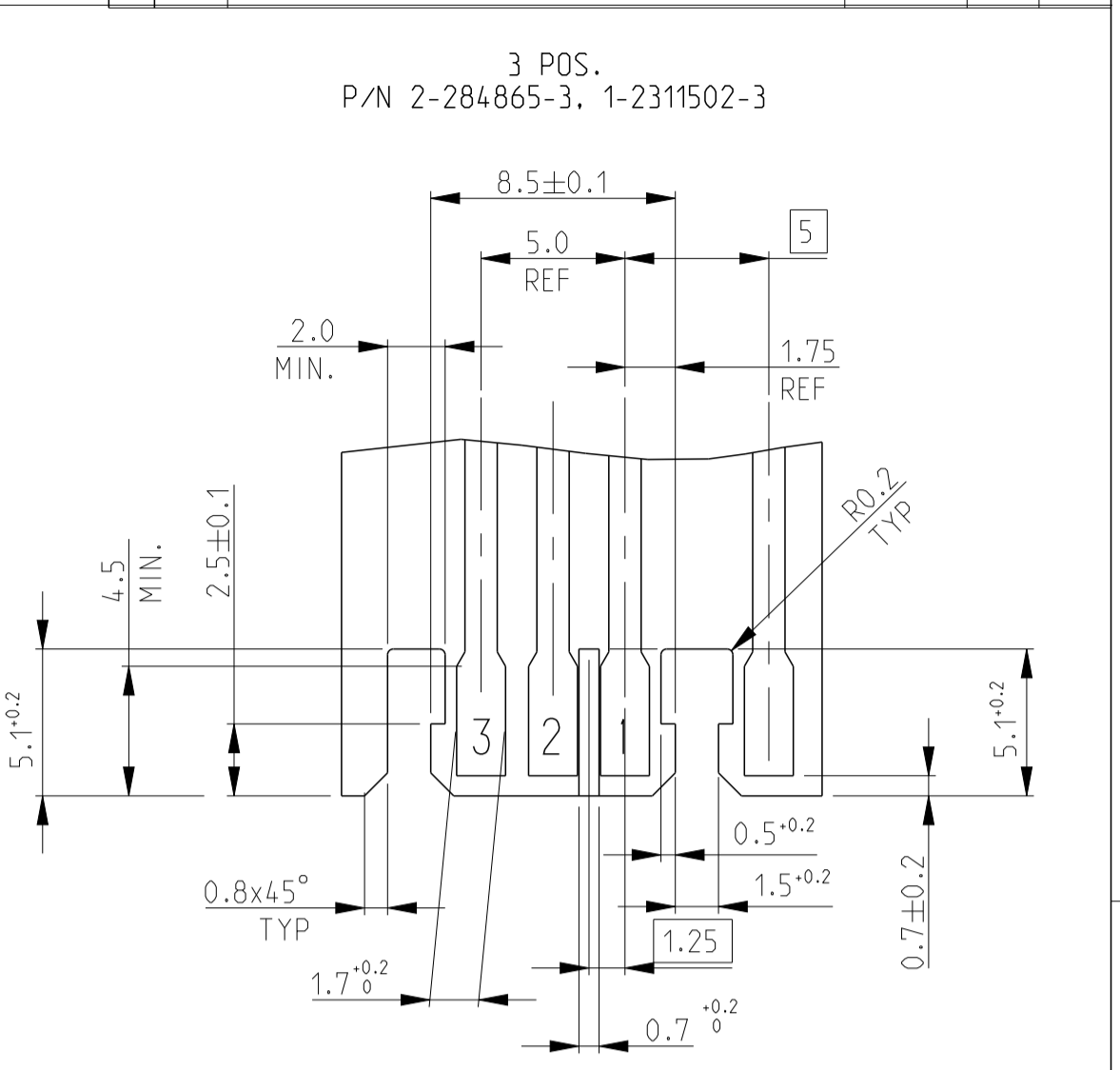
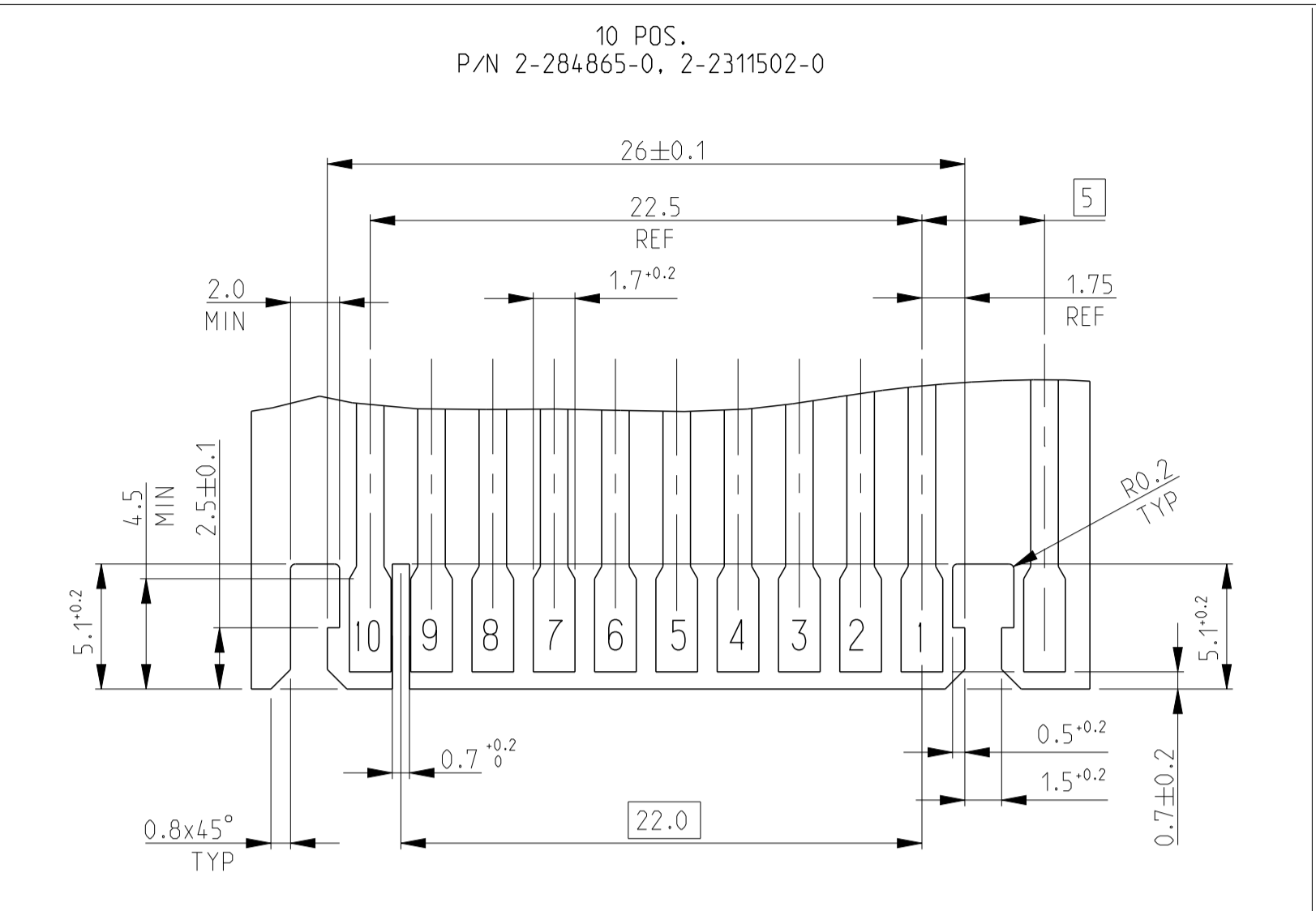
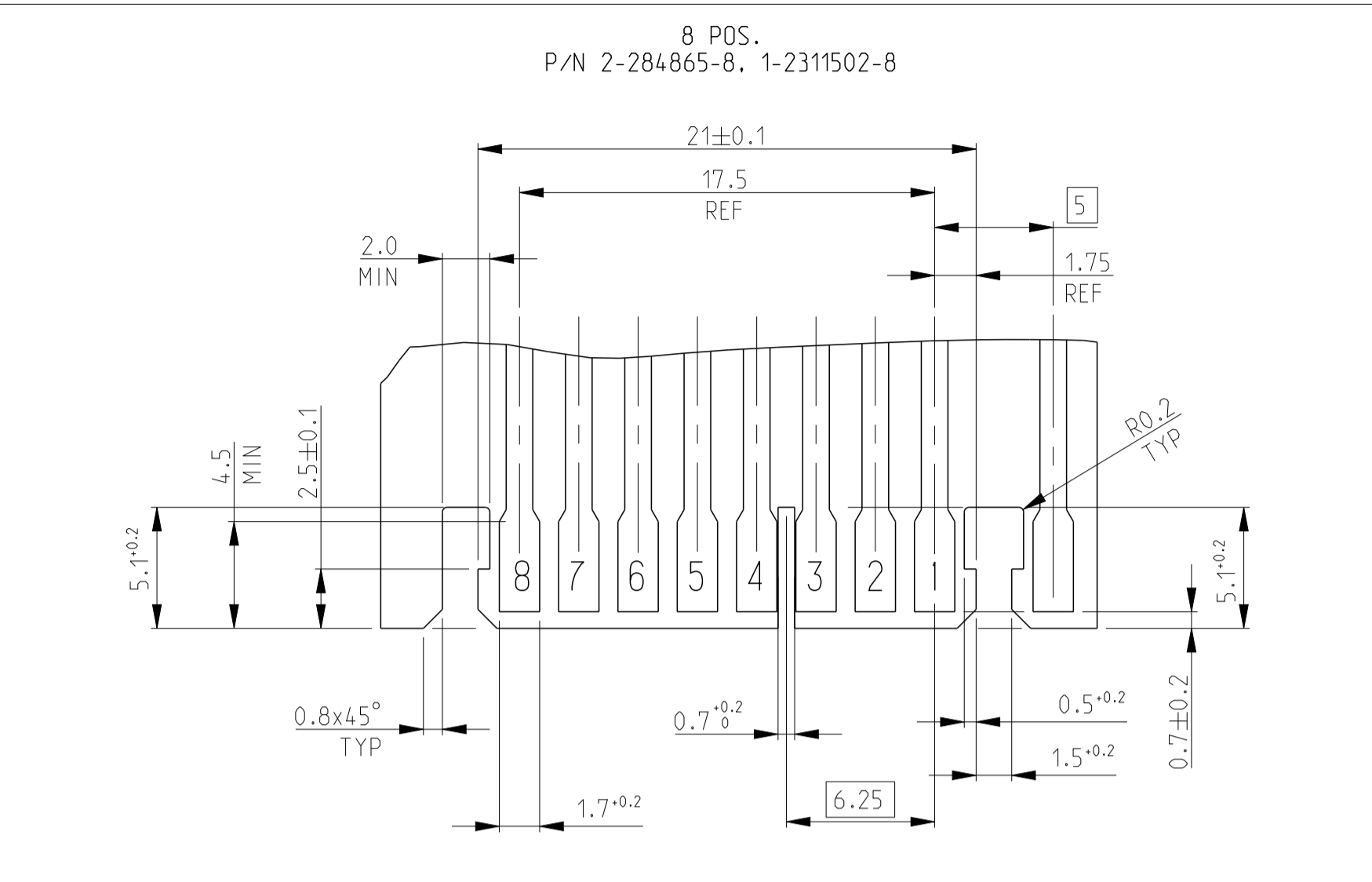
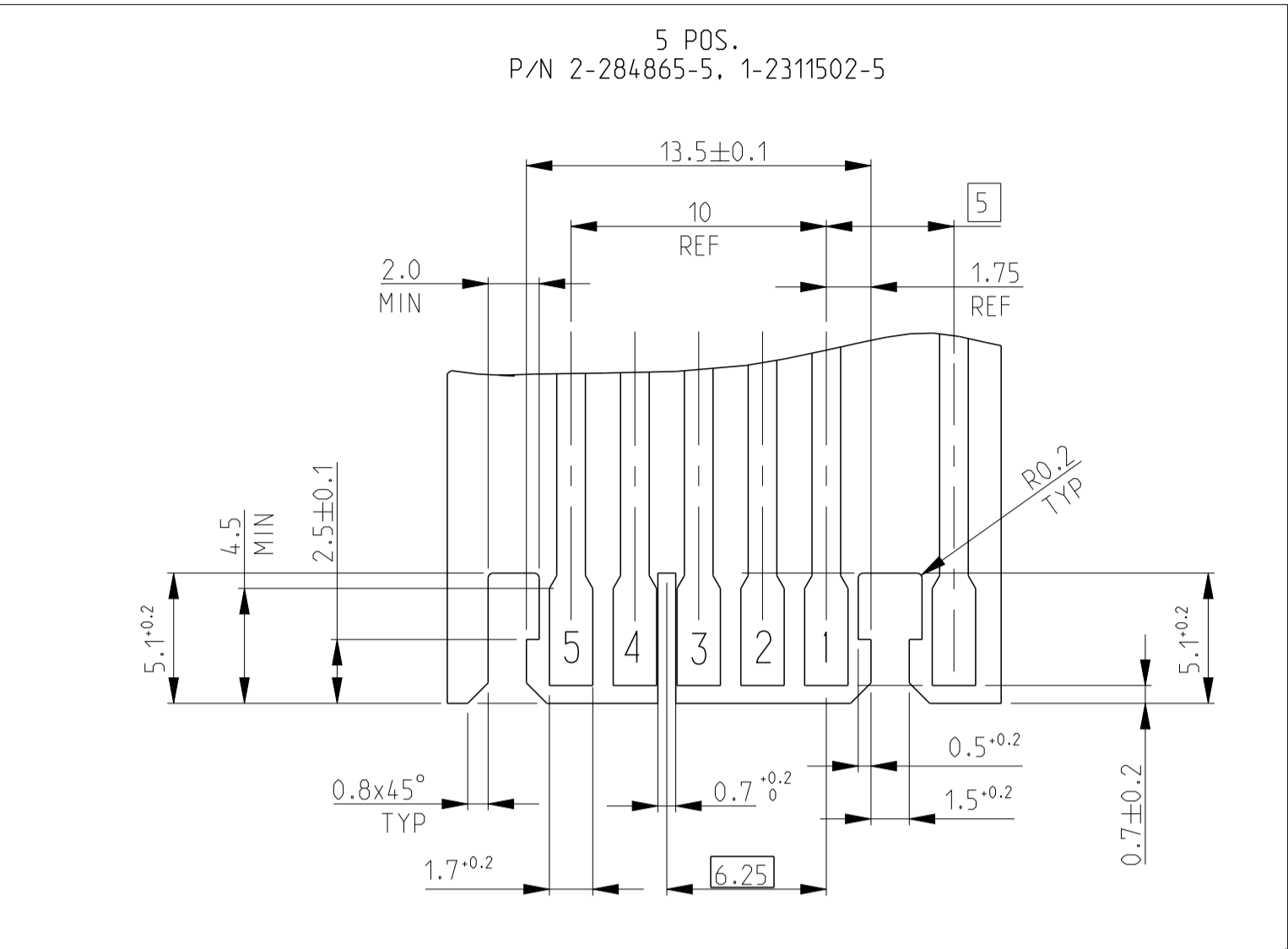
SCALE 10:1 SHEET 2 OF 4 REV B

STE TE Connectivity

LOC	DIST	REV	DESCRIPTION	DATE	OWN	APPV
-	-	1	SEE SHEET 1	-	-	-

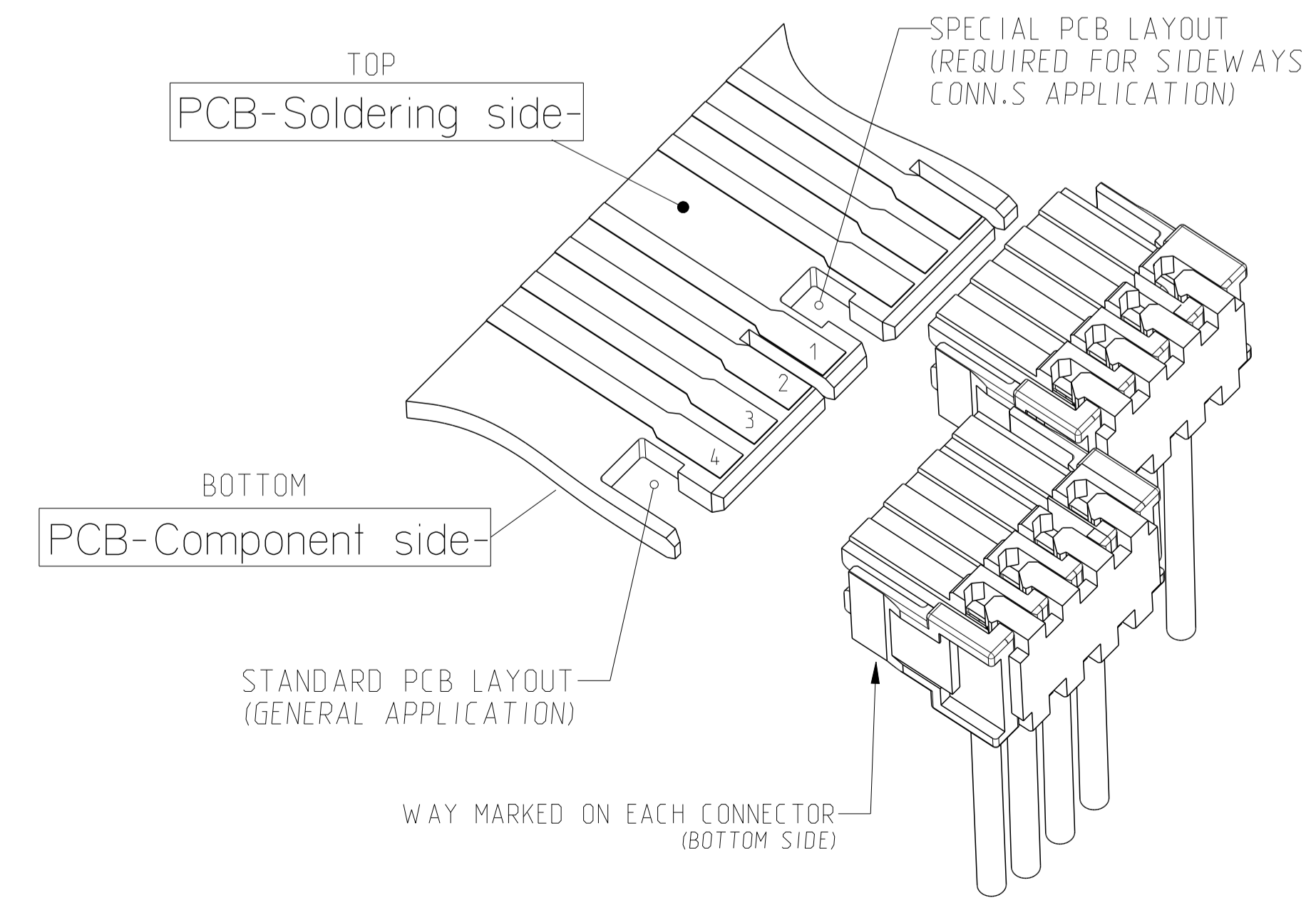
### PCB LAYOUT -Soldering side-

(SCALE 4:1)



### CONNECTION LAYOUT

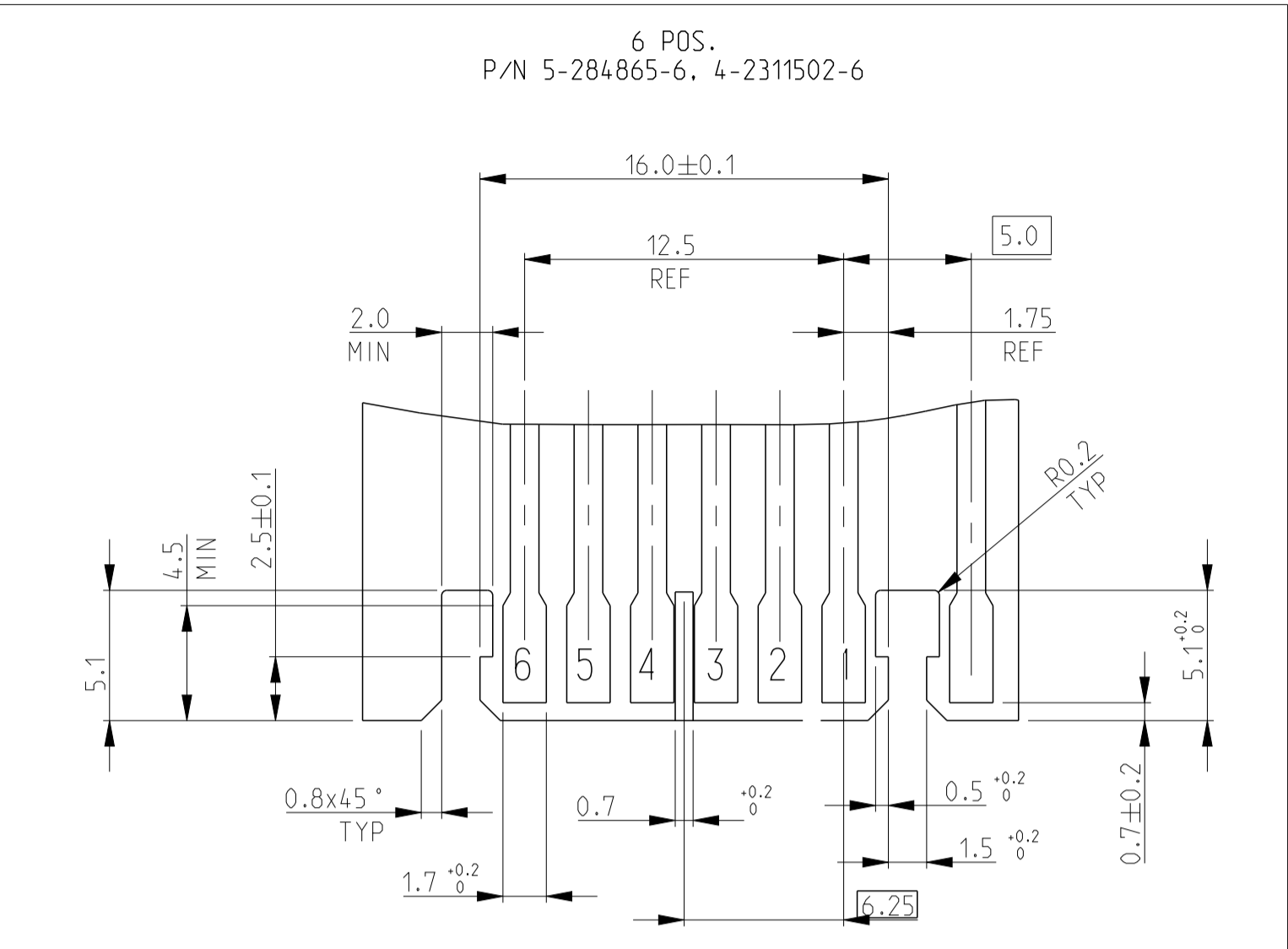
E.G P/N 0-284865-4  
(SCALE 4:1)



THIS DRAWING IS A CONTROLLED DOCUMENT.		OWN: R. FABRIS	03JUL2002	 TE Connectivity
DIMENSIONS: mm		CHK: -	NAME: DUOPLUG 2.5 FEMALE CONN., SIDE LOCKING KEYPED (FULLY LOADED)	
TOLERANCES UNLESS OTHERWISE SPECIFIED:		APVD: EG TURCO	PRODUCT SPEC: 108-20238	RESTRICTED TO: -
MATERIAL: SEE TABLE		FINISH: SEE TABLE	WEIGHT: -	SCALE: 10:1
Customer Drawing		SIZE: A1	CAGE CODE: 116-18049-1	DRAWING NO: 00779
				SHEET 3 OF 4
				REV B

# PCB LAYOUT -Soldering side-

(SCALE 4:1)



LOC		DIST		REVISIONS			
P	LTN	DESCRIPTION	DATE	DWN	APVD		
-	-	SEE SHEET 1	-	-	-		

THIS DRAWING IS A CONTROLLED DOCUMENT.		DWN R. FABRIS	03JUL2002		
DIMENSIONS: mm		CHK -	APVD G. TURCO		
		TOLERANCES UNLESS OTHERWISE SPECIFIED: 0 PLC ± 1 PLC ± 2 PLC ± 3 PLC ± 4 PLC ± ANGLES ±°		PRODUCT SPEC 108-20238	RESTRICTED TO
MATERIAL SEE TABLE		FINISH SEE TABLE		APPLICATION SPEC 116-18049-1	SIZE A1
		WEIGHT -		CAGE CODE 00779	DRAWING NO C=284865
		Customer Drawing		SCALE 10:1	SHEET 4 OF 4
				REV B	

单击下面可查看定价，库存，交付和生命周期等信息

[>>TE Connectivity\(泰科\)](#)