

4

3

2

1

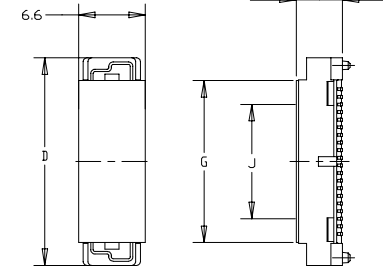
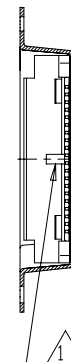
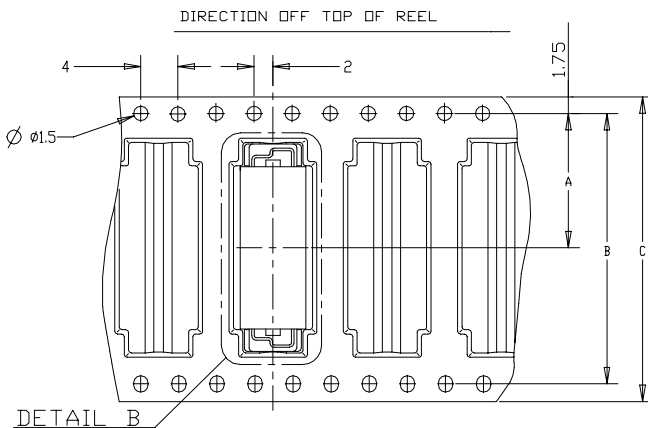
© - TE Connectivity. All Rights Reserved.

LOW HALOGEN

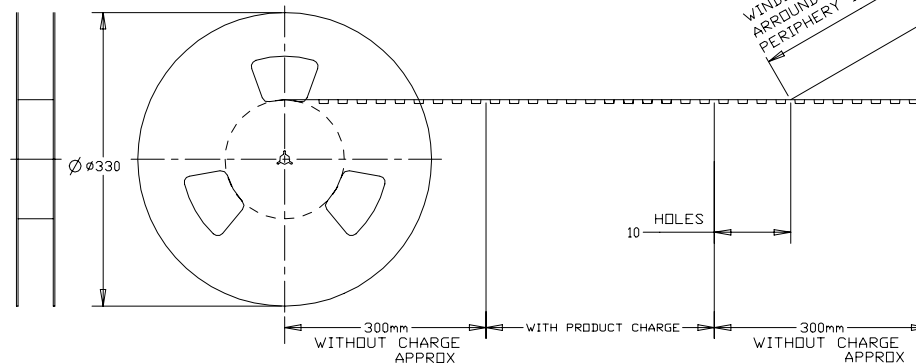
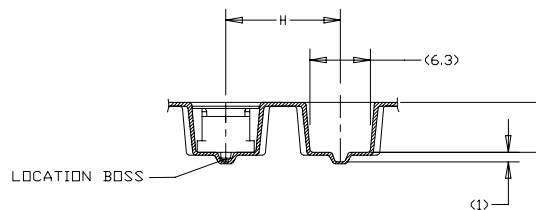
Notes:

6 0.0002 MIN GOLD PLATING
(7.8u INCHES GOLD PLATING)

REVISIONS					
P	LTR	DESCRIPTION	DATE	DWN	APVD
-	-	SEE SHEET 1	-	-	-



DETAIL B



WINDING THE COVER TAPE
AROUND THE OUTER
PERIPHERY IN A TURN.

POLYIMIDE COVER

800	6H	2.6	5.6	12	12	17	5.85	6.25	37.8	56	52.4	26.2	80	9-5177986-3	
650	5H	1.2	4.6	12	16	17	4.85	5.25	61.8	88	84.4	42.2	140	9-5177986-6	
REMARKS	QTY	WEIGHT TYPE	Y	X	J	H	G	F	E	D	C	B	A	POS	SALEABLE PART NO.

THIS DRAWING IS A CONTROLLED DOCUMENT.		DWN: FLORENCE TAN 30AUG2004		TE Connectivity Ltd.	
		CHK: ERIC TING 30MAY2012			
DIMENSIONS: mm		TOLERANCES UNLESS OTHERWISE SPECIFIED:		NAME: SF LEONG 30MAY2012	
		0 PLC ± - 1 PLC ± 0.2 2 PLC ± 0.15 3 PLC ± 0.1 4 PLC ± - ANGLES ± 3° FINISH		PRODUCT SPEC: 108-5390	
MATERIAL: SEE NOTE		FINISH: SEE NOTE		APPLICATION SPEC: -	
		WEIGHT: -		SIZE: A2	
		CUSTOMER DRAWING		CAGE CODE: 00779	
				DRAWING NO: C=5177986	
				RESTRICTED TO: -	
				SCALE: 1:1	
				SHEET: 2 of 4	
				REV: F7	

4

3

2

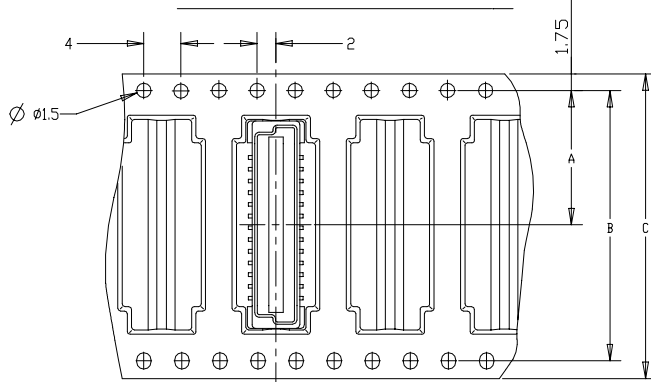
1

© - TE Connectivity. All Rights Reserved.

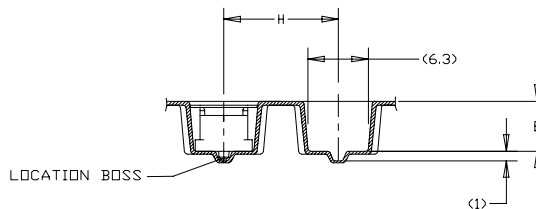
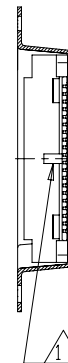
LOW HALOGEN

Notes:
△ 0.00038 MIN GOLD PLATING
(15μ INCHES GOLD PLATING)

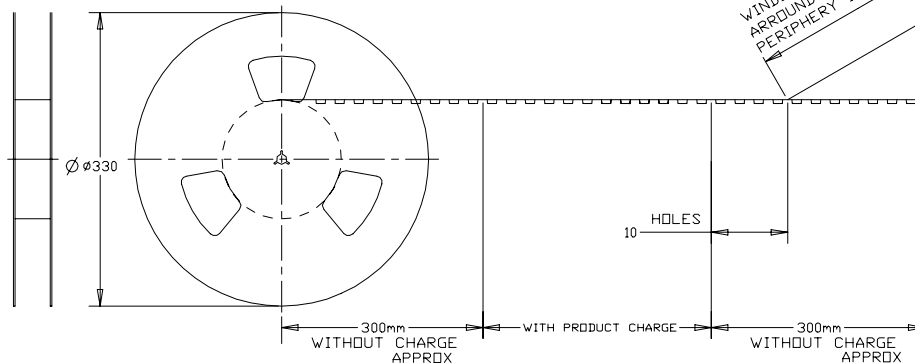
DIRECTION OFF TOP OF REEL



REVISIONS					
P	LTR	DESCRIPTION	DATE	DWN	APVD
-	-	SEE SHEET 1	-	-	-



WINDING THE COVER TAPE AROUND THE OUTER PERIPHERY IN A TURN.



WITHOUT COVER

△	650	5H	1.2	4.6	16	5.25	88	84.4	42.2	160	8-5177986-8
	650	5H	1.2	4.6	16	5.25	72	68.4	34.2	120	8-5177986-5
REMARKS	QTY	WEIGHT TYPE	Y	X	H	E	C	B	A	POS	SALEABLE PART NO.

1471-9 (1/15)

THIS DRAWING IS A CONTROLLED DOCUMENT.		DWN: FLORENCE TAN CHK: ERIC TING	30AUG2004 30MAY2012	STE TE Connectivity Ltd.	
DIMENSIONS: mm		TOLERANCES UNLESS OTHERWISE SPECIFIED:		NAME: SF LEONG	
		0 PLC ± - 1 PLC ± 0.2 2 PLC ± 0.15 3 PLC ± 0.1 4 PLC ± -		APVD: SF LEONG 30MAY2012	
MATERIAL: SEE NOTE		FINISH: SEE NOTE		PRODUCT SPEC: 108-5390	
				APPLICATION SPEC: -	
				SIZE: A2	
				CAGE CODE: 00779	
				DRAWING NO: C=5177986	
				RESTRICTED TO: -	
				WEIGHT: -	
				CUSTOMER DRAWING	
				SCALE: 1:1	
				SHEET: 3 of 4	
				REV: F7	

5177986

4

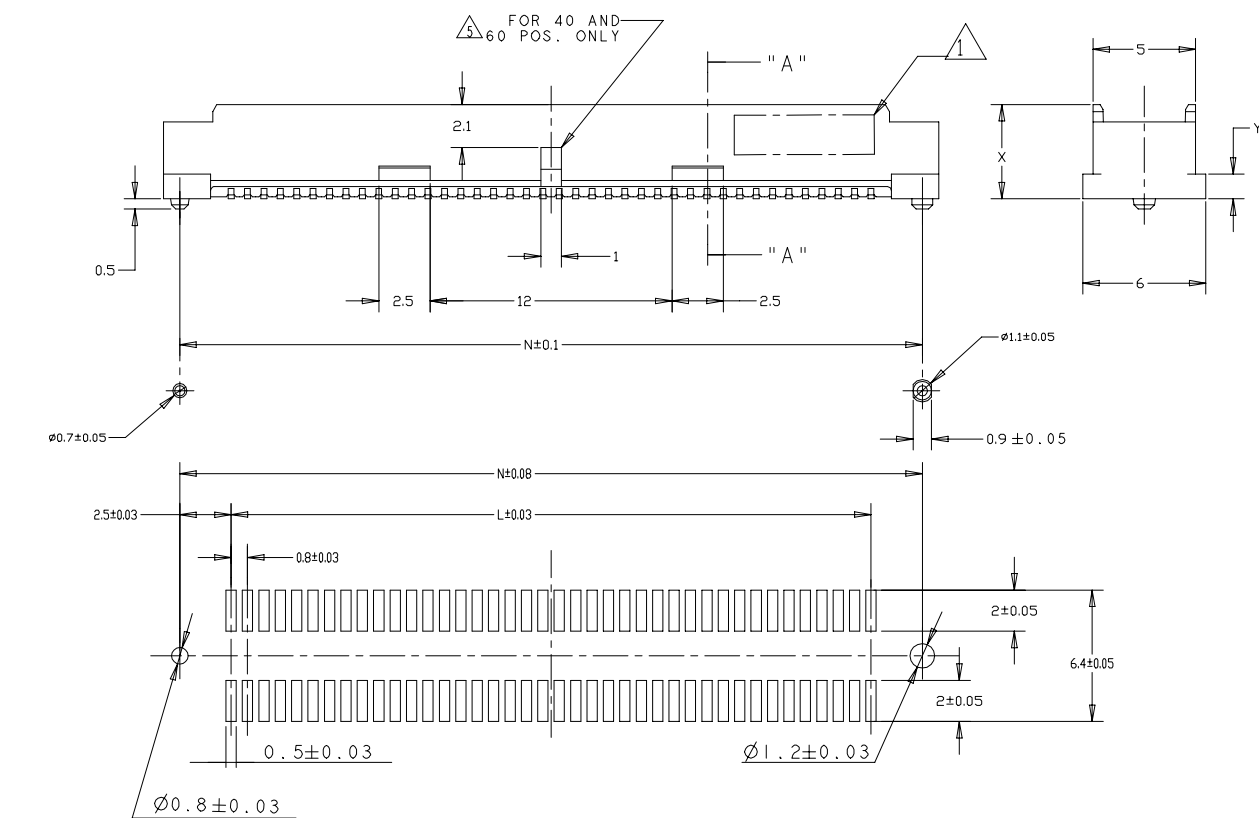
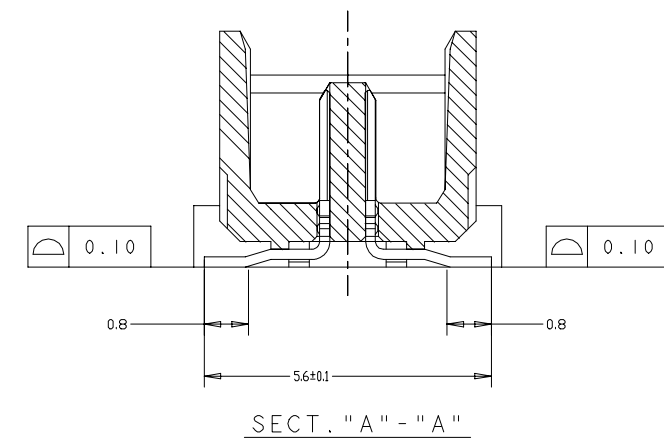
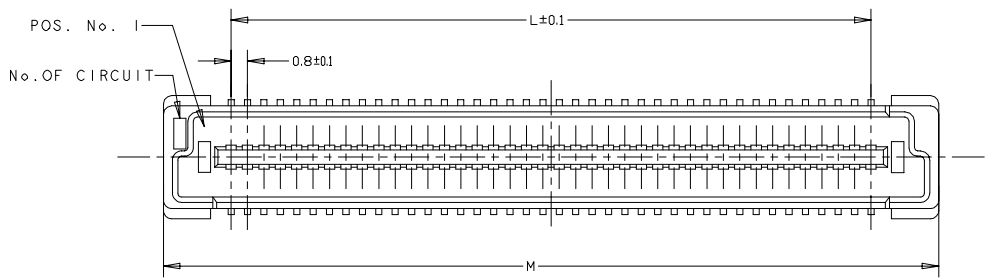
3

2

1

© - TE Connectivity. All Rights Reserved.

REVISIONS					
P	LTR	DESCRIPTION	DATE	DWN	APVD
-	-	SEE SHEET 1	-	-	-



RECOMMENDED P.C. BOARD LAYOUT

LOW HALOGEN

CONNECTOR ONLY

84.2	85.8	79.2	200
76.2	77.8	71.2	180
68.2	69.8	63.2	160
60.2	61.8	55.2	140
52.2	53.8	47.2	120
44.2	45.8	39.2	100
36.2	37.8	31.2	80
28.2	29.8	23.2	60
20.2	21.8	15.2	40
N	M	L	POS.

THIS DRAWING IS A CONTROLLED DOCUMENT.

DWN: FLORENCE TAN 30AUG2004
 CHK: ERIC TING 30MAY2012

APVD: SF LEONG 30MAY2012

NAME: PLUG ASSEMBLY, FH 0.8 ON TAPING (EMBOSS) 0.5 BOSS LENGTH

PRODUCT SPEC: 108-5390

APPLICATION SPEC: -

SIZE: A2 CAGE CODE: 00779 DRAWING NO: 5177986

RESTRICTED TO: -

WEIGHT: -

MATERIAL: SEE NOTE

FINISH: SEE NOTE

CUSTOMER DRAWING

SCALE: 1:1 SHEET: 4 of 4 REV: F7

单击下面可查看定价，库存，交付和生命周期等信息

[>>TE Connectivity\(泰科\)](#)