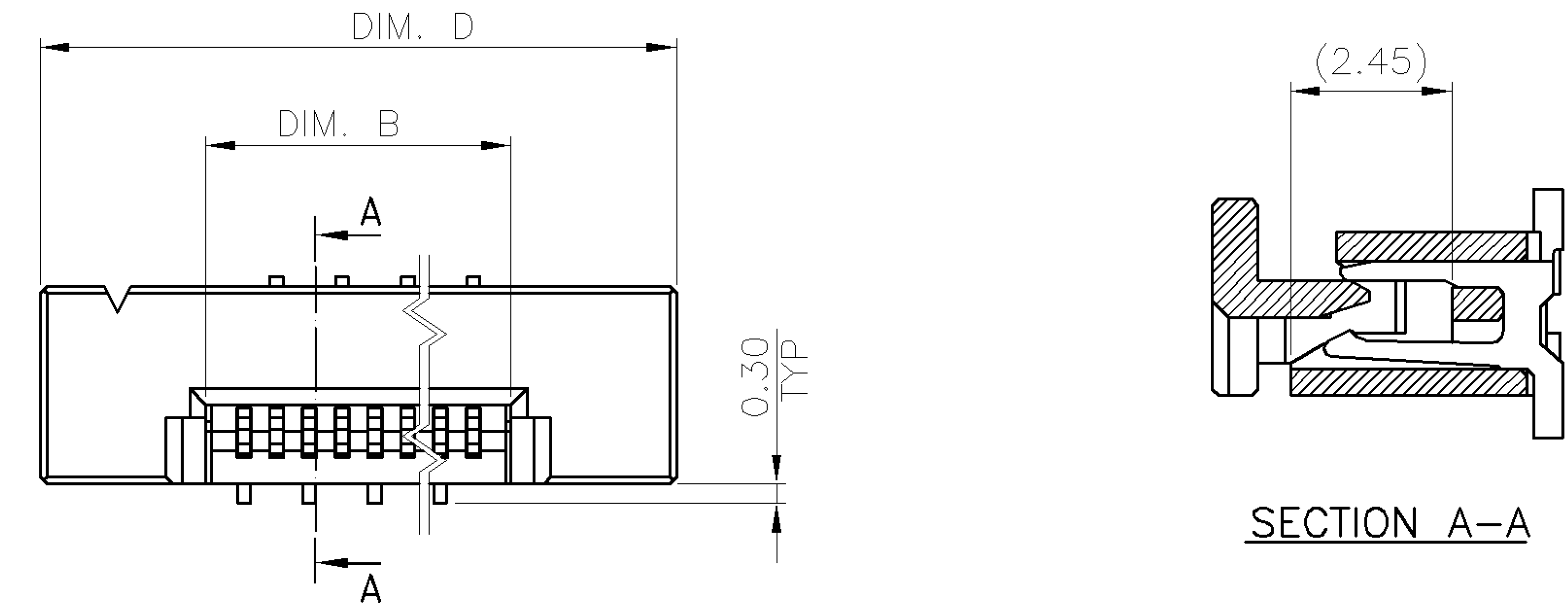


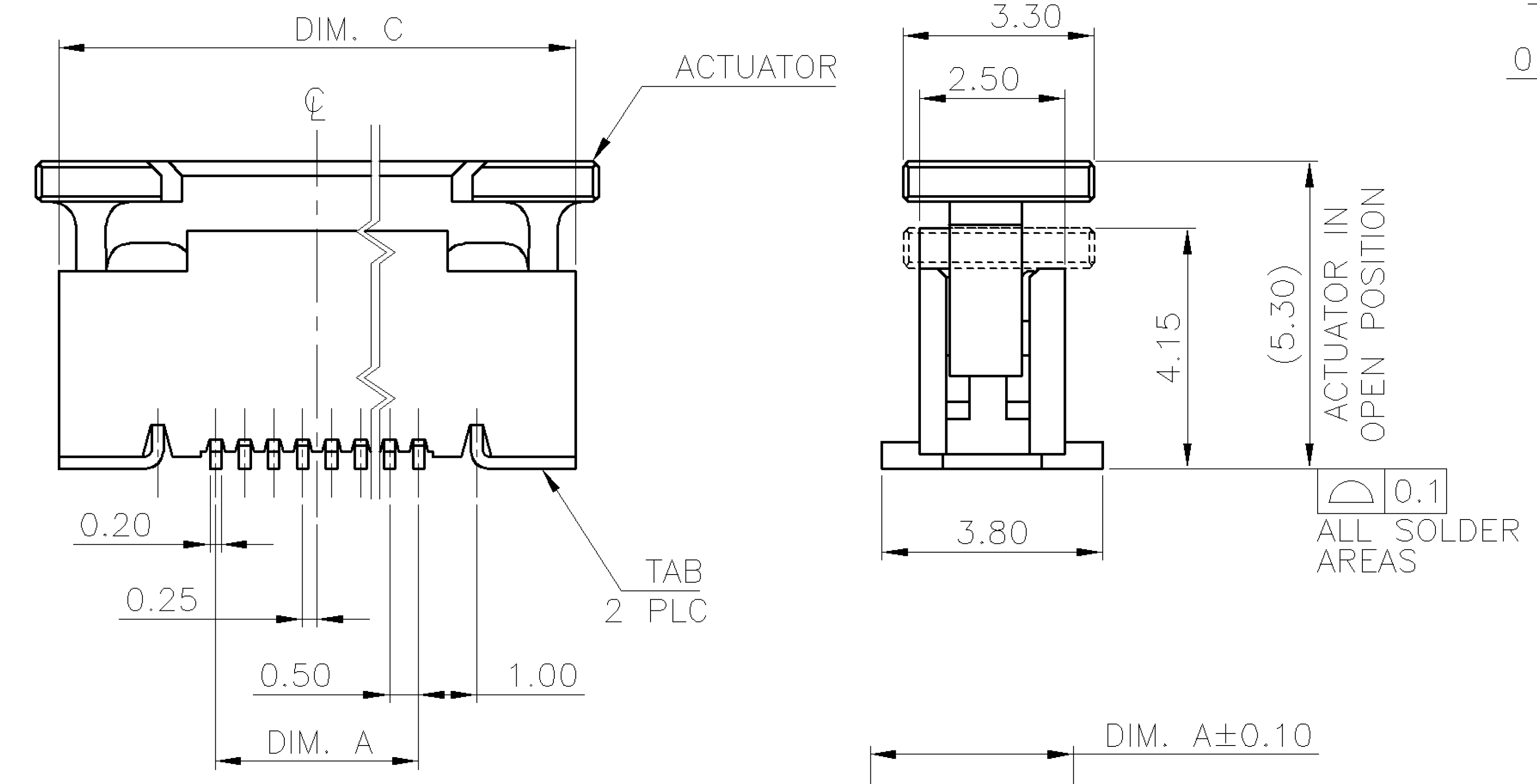
NUMBER  
C-1734742

3RD ANGLE PROJECTION

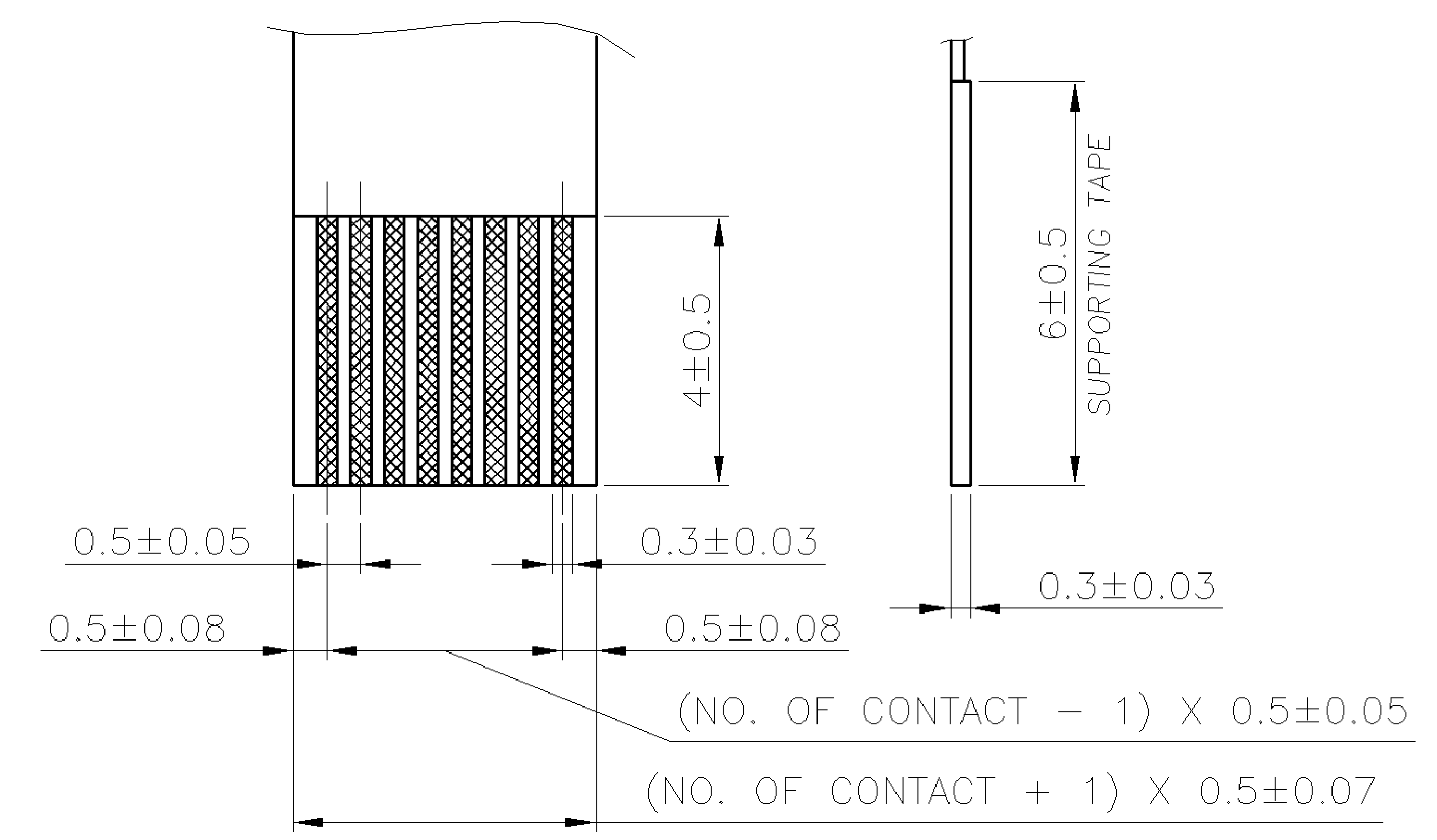
METRIC



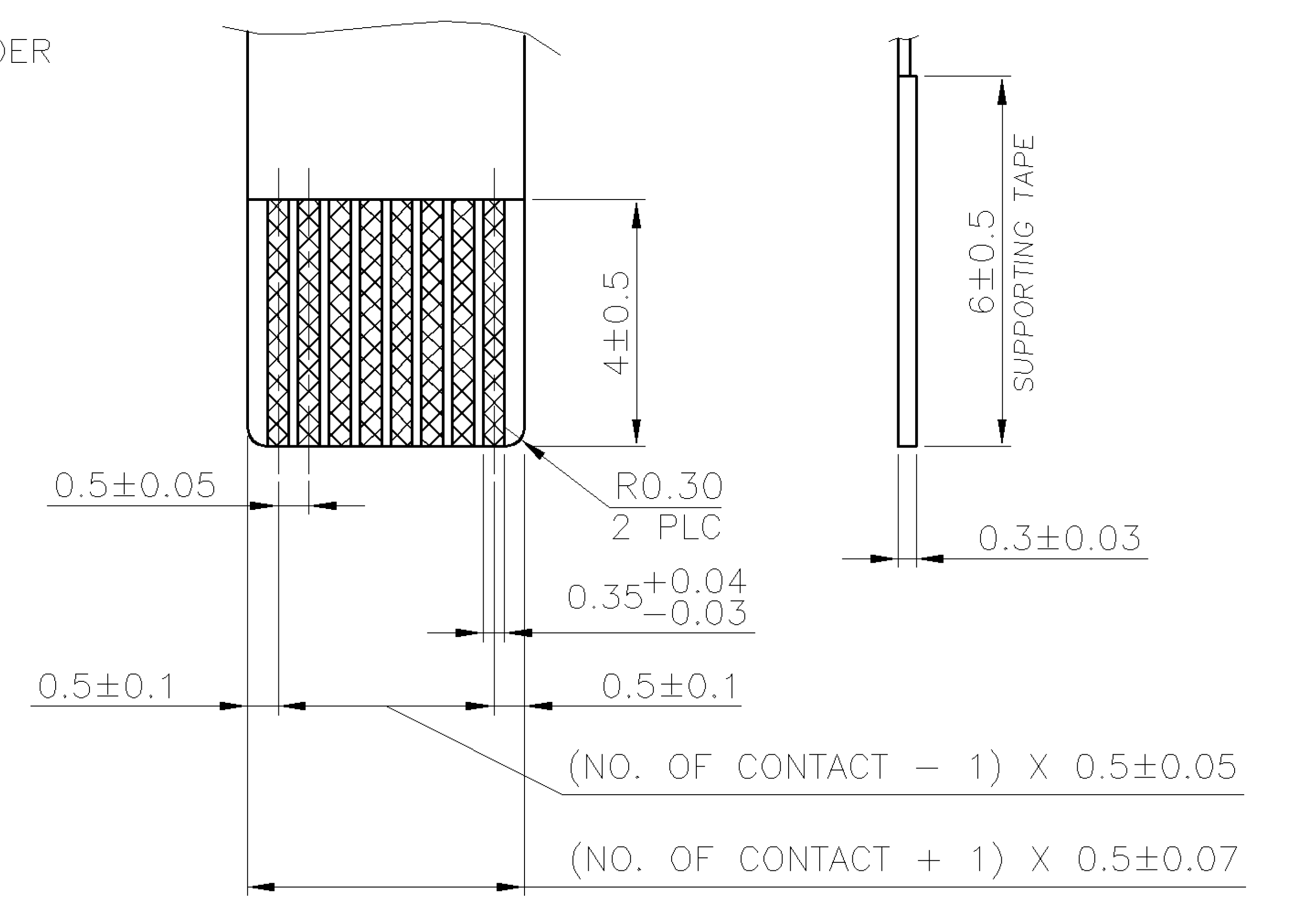
SECTION A-A



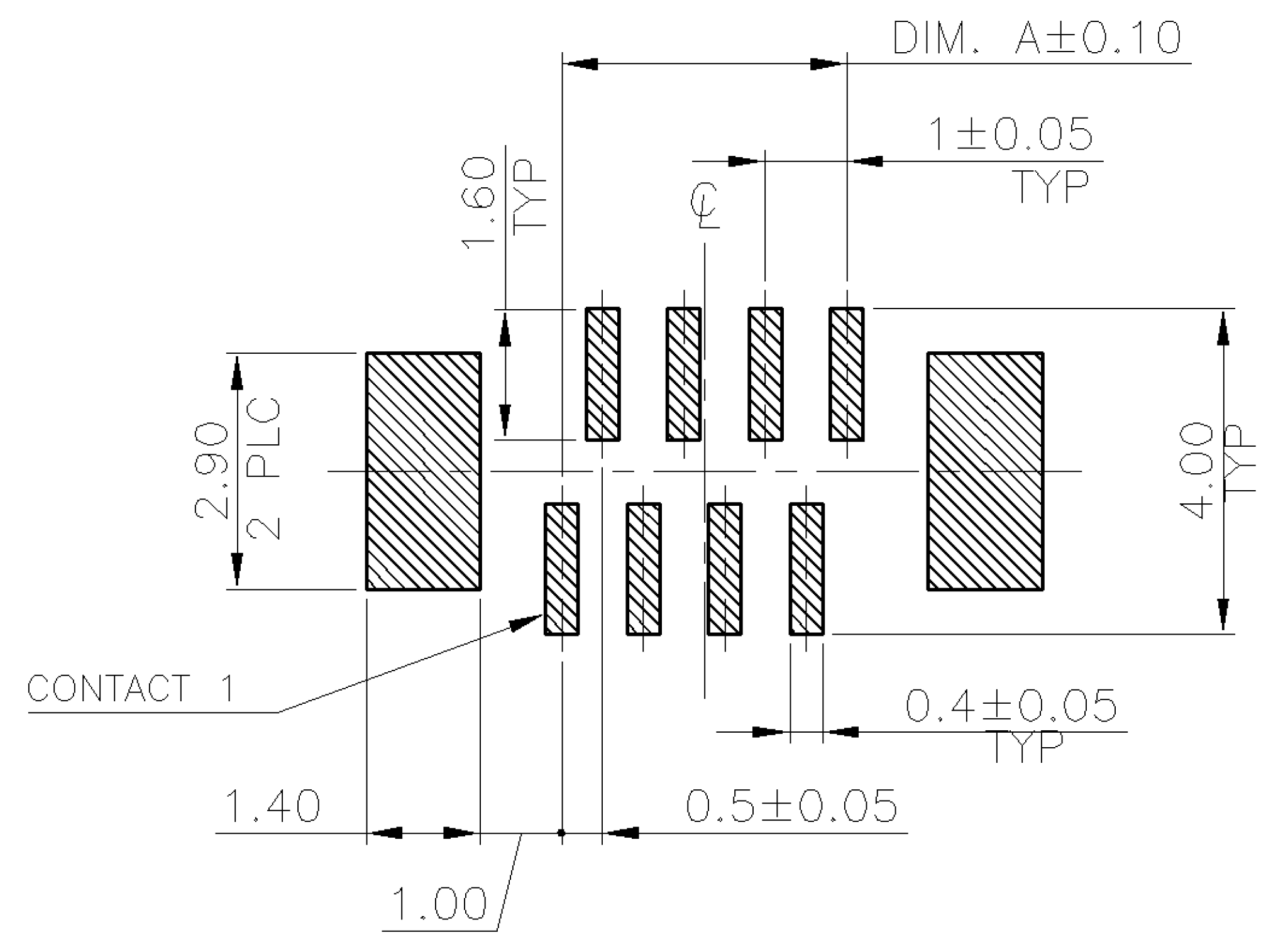
0.1  
ALL SOLDER AREAS



RECOMMENDED FFC LAYOUT



RECOMMENDED FPC LAYOUT



RECOMMENDED PCB LAYOUT (TYPE A)  
(TOLERANCE: ±0.05)

NOTE:

- MATERIAL:  
HOUSING: THERMOPLASTIC WITH 33% GF, UL 94V-0, BLACK COLOR.  
ACTUATOR: THERMOPLASTIC, UL 94V-0, BROWN COLOR.  
CONTACTS: PHOSPHOR BRONZE.  
TABS: BRASS.
- FINISH:  
CONTACTS: GOLD FLASH OVER 50µ" MIN. NICKEL ON ENTIRE CONTACT.  
CONTACTS: 30µ" MIN. GOLD ON CONTACT AREA, WITH GOLD FLASH OVER 50µ" MIN. NICKEL ON ENTIRE CONTACT.  
TABS: 120µ" MIN. MATTE-TIN OVER 50µ" MIN. NICKEL.
- REFLOW SOLDER CAPABLE TO 260°C AS PER TE CONNECTIVITY SPEC. 109-201, CONDITION B.
- NO TYCO LOGO AND DATE CODE ON THE PRODUCT.

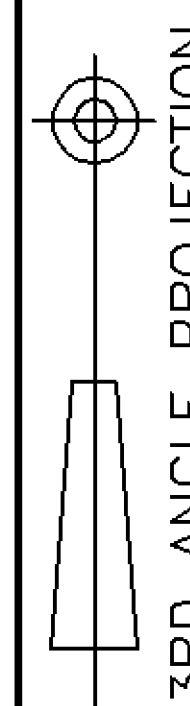
WEIGHT	D	C	B	A	NO. OF CONTACTS	PART NUMBER
0.34g	17.70	16.90	12.65	11.50	24	6-1734742-0
0.52g	25.70	24.90	20.65	19.50	40	4-1734742-0
0.51g	25.20	24.40	20.15	19.00	39	3-1734742-9
0.50g	24.70	23.90	19.65	18.50	38	3-1734742-8
0.49g	24.20	23.40	19.15	18.00	37	3-1734742-7
0.48g	23.70	22.90	18.65	17.50	36	3-1734742-6
0.46g	23.20	22.40	18.15	17.00	35	3-1734742-5
0.45g	22.70	21.90	17.65	16.50	34	3-1734742-4
0.44g	22.20	21.40	17.15	16.00	33	3-1734742-3
0.43g	21.70	20.90	16.65	15.50	32	3-1734742-2
0.42g	21.20	20.40	16.15	15.00	31	3-1734742-1
0.41g	20.70	19.90	15.65	14.50	30	3-1734742-0
0.40g	20.20	19.40	15.15	14.00	29	2-1734742-9
0.39g	19.70	18.90	14.65	13.50	28	2-1734742-8
0.38g	19.20	18.40	14.15	13.00	27	2-1734742-7
0.37g	18.70	17.90	13.65	12.50	26	2-1734742-6
0.36g	18.20	17.40	13.15	12.00	25	2-1734742-5
0.34g	17.70	16.90	12.65	11.50	24	2-1734742-4
0.33g	17.20	16.40	12.15	11.00	23	2-1734742-3
0.32g	16.70	15.90	11.65	10.50	22	2-1734742-2
0.31g	16.20	15.40	11.15	10.00	21	2-1734742-1
0.30g	15.70	14.90	10.65	9.50	20	2-1734742-0
0.29g	15.20	14.40	10.15	9.00	19	1-1734742-9
0.28g	14.70	13.90	9.65	8.50	18	1-1734742-8
0.27g	14.20	13.40	9.15	8.00	17	1-1734742-7
0.26g	13.70	12.90	8.65	7.50	16	1-1734742-6
0.25g	13.20	12.40	8.15	7.00	15	1-1734742-5
0.24g	12.70	11.90	7.65	6.50	14	1-1734742-4
0.22g	12.20	11.40	7.15	6.00	13	1-1734742-3
0.21g	11.70	10.90	6.65	5.50	12	1-1734742-2
0.20g	11.20	10.40	6.15	5.00	11	1-1734742-1
0.19g	10.70	9.90	5.65	4.50	10	1-1734742-0
0.18g	10.20	9.40	5.15	4.00	9	1734742-9
0.17g	9.70	8.90	4.65	3.50	8	1734742-8
0.16g	9.20	8.40	4.15	3.00	7	1734742-7
0.15g	8.70	7.90	3.65	2.50	6	1734742-6

TOLERANCES UNLESS OTHERWISE SPECIFIED: 0 PLC ±- 1 PLC ±0.2 2 PLC ±0.1 3 PLC ±0.05 ANGLES ±3'	DWN A. WU 01-DEC-2005				
MATERIAL SEE NOTE	CHK S. HOU 01-DEC-2005		NAME FPC/FFC CONN., 0.5 MM PITCH, ZIF, VERTICAL, SMT, TYPE A		
FINISH SEE NOTE	APVD W.J. KE 01-DEC-2005	PRODUCT SPEC 108-57324			
	QUALIFICATION TEST REPORT 501-57364	LOC DW	SIZE A <sub>3</sub>	DRAWING NO C-1734742	REV P
	WEIGHT -	SCALE --	SHEET 1 OF 2		

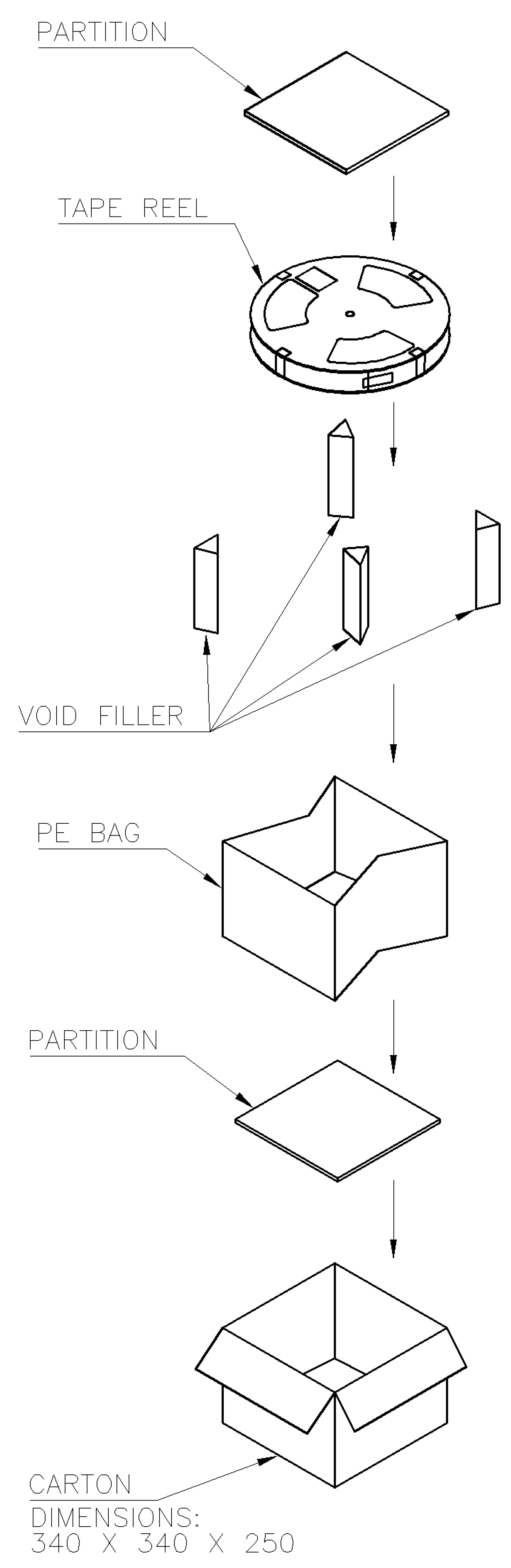
P	REVISION RECORD	ECO	REVISOR RK HMR	DATE 02APR11
LTR	REVISION RECORD	ECO	CHK DWN	DATE

PRINT  
DW

NUMBER  
C-1734742



METRIC



PCS/REEL	REELS/CARTON	QUANTITY	DIM W	DIM X	G/W (KG)	N/W (KG)	NO. OF CONTACTS
4	4000	44.0	40.40	4.61	2.08	40	
				4.57	2.04	39	
				4.53	2.00	38	
				4.49	1.96	37	
				4.45	1.92	36	
				4.37	1.84	35	
				4.33	1.80	34	
				4.29	1.76	33	
				4.25	1.72	32	
				4.21	1.68	31	
6	6000	32.0	28.40	6.05	2.46	30	
				5.99	2.40	29	
				5.93	2.34	28	
				5.87	2.28	27	
				5.81	2.22	26	
				5.75	2.16	25	
				5.63	2.04	24	
				5.57	1.98	23	
				5.51	1.92	22	
				5.45	1.86	21	
7	7000	24.0	24.0	5.58	2.10	20	
				5.51	2.03	19	
				5.44	1.96	18	
				5.37	1.89	17	
				5.30	1.82	16	
				5.23	1.75	15	
				5.16	1.68	14	
				5.02	1.54	13	
				4.95	1.47	12	
				4.88	1.40	11	
4.81	1.33	10					
4.74	1.26	9					
4.67	1.19	8					
4.60	1.12	7					
4.53	1.05	6					

TOLERANCES UNLESS OTHERWISE SPECIFIED: 0 PLC ±- 1 PLC ±- 2 PLC ±- 3 PLC ±- ANGLES ±-		DWN A. WU 01-DEC-2005	TE Connectivity NAME <b>FPC/FFC CONN., 0.5 MM PITCH, ZIF, VERTICAL, SMT, TYPE A</b>			
MATERIAL -		CHK S. HOU 01-DEC-2005				
FINISH -		APVD W.J. KE 01-DEC-2005	LOC DW	SIZE A <sub>3</sub>	DRAWING NO C-1734742	REV P
LTR		REVISION RECORD	ECO	SCALE --		SHEET 2 OF 2

SEE SHEET 1.	DWN	CHK	DATE
ECO			

PRINT DIST  
DW

DIMENSIONS IN MILLIMETERS. DO NOT SCALE PRINT.

单击下面可查看定价，库存，交付和生命周期等信息

[>>TE Connectivity\(泰科\)](#)