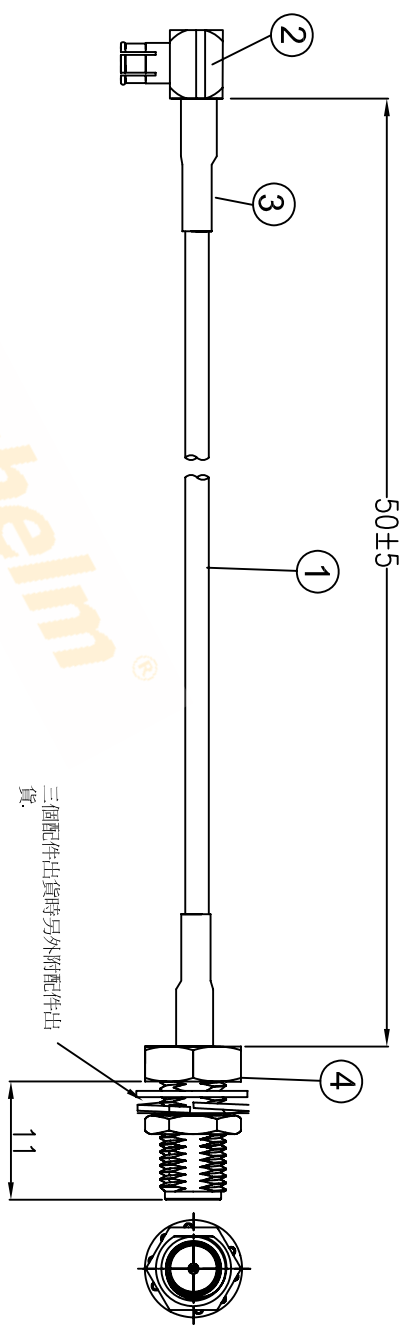


REVISIONS				
REV NUMBER	DESCRIPTION	DWN	CHK	DATE
A	DESIGN			



ITEM NO.	PART NUMBER	DESCRIPTION	QTY.
④	连接器	SMA 11牙, 母头母针, 镀金, 接316线,	1
③	套管	OD:2.0,L=15MM,薄的套管	2
②	连接器	MCX 弯公头, 公针, 镀金, 接316线,	1
①	同轴线	RG-316棕色同轴线, OD:2.5mm	AS

深圳市金航标电子有限公司

ALL DIMENSION ARE IN MM		DRI	DATE
COMPUTER GENERATED IN SOLIDWORKS	CHK. Alan	Jamy	2019-06-01
DO NOT SCALE THIS DRAWING	APP. EHS		2019-06-01
PROJECTION	GENERAL TOLERANCE FOR ANGLES XX XXX XXXX ± 1° ± 0.3 ± 0.25 ± 0.150		
TITLE	RF CABLE	SIZE	REV
SMA/F TO MCX/M L=50mm	B	Number	A
SCALE: Free	TYPE	SHEET	1 OF 1

CUSTOMER P/N:

Kinghelm

单击下面可查看定价，库存，交付和生命周期等信息

[>>kinghelm\(金航标\)](#)