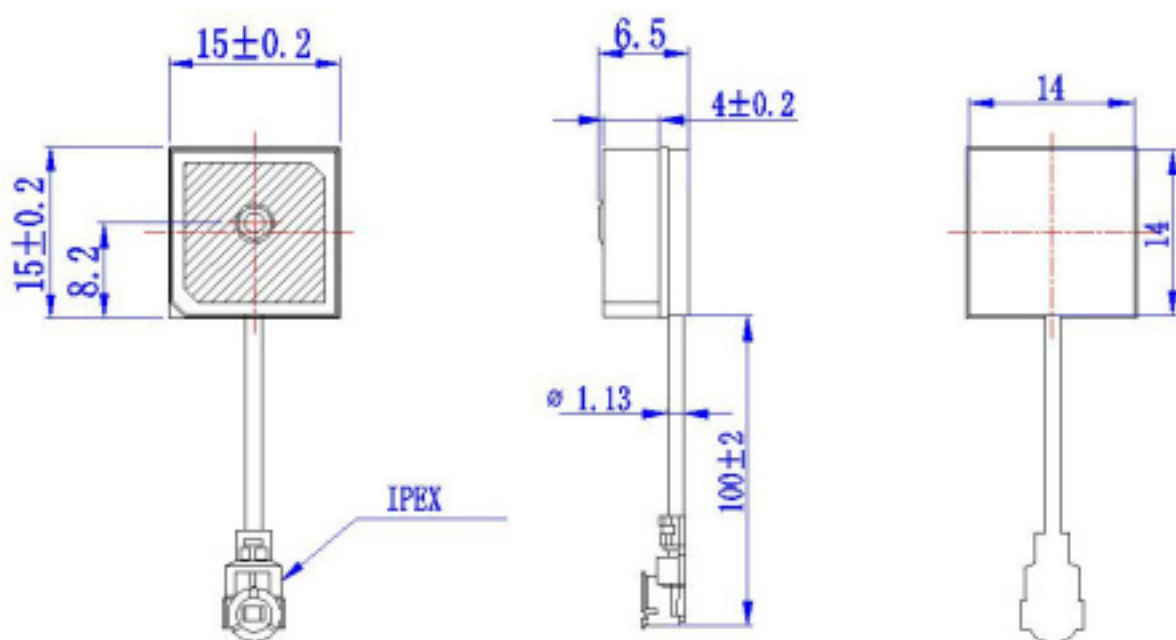


# 深圳市金航标电子有限公司



## 2. Specification

\*All value are defined at  $25 \pm 15^\circ\text{C}$ ,  $65 \pm 20\%$  RH, power handling 1u watt, air pressure  $960 \pm 100$  HPA unless otherwise noted.

### 2.1 Applicable Standard

Dimensions	-	Weight	<50g
Connector	-	Cable	RF/1.13/100

# 深圳市金航标电子有限公司

<b>Color</b>	-	<b>PCB</b>	15*15*0.6
<b>Voltage</b>	3.3 V	<b>Current</b>	4.2mA
<b>Operating Condition</b>	Temperature: -40 to +85°C  Humidity: 65±20%	<b>Storage Condition</b>	Temperature: -10 to +40°C  Humidity: ≤70

## 2.2 Electrical Specification

<b>Center Frequency</b>	1575.42±3MHz(When covered with a radome on LNA ground Plane.)
<b>Gain at Zenith</b>	18dBic typ
<b>Output Impedance</b>	50ohm
<b>Output V.S.W.R</b>	2.0 typ.
<b>Operation Voltage</b>	3.3V

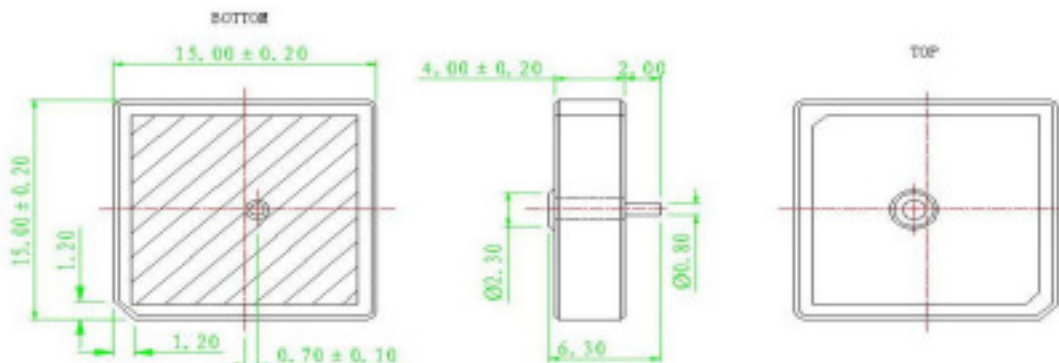
## 3. Patch Specification

### ■ Dimensions

1、L: 15.0±0.2mm

W: 15.0±0.2mm

H: 4.0±0.2mm



# 深圳市金航标电子有限公司

## 2. 结构材料

代号	名称	结构材料
①	天线基片	微波陶瓷
②	引脚	铜合金
③	电极	银
④	接地面	银

## ■ Specifications

No.	Item	Characteristics
1	Center Frequency	1575.42±3MHz
2	Bandwidth	6MHz min(Return loss≤-10dB)
3	Gain at Zenith(dBic)	-2.0typ
4	Polarization	RHCP
5	Impedance( $\Omega$ )	50typ
6	Testing Conditions	30mm Square Ground Plane

- 1) 工作温度和操作温度(无包装单品): -40℃~+85℃;
- 2) 储存环境(包装品): -10℃~+40℃, RH 70% (最大)。

## 4. Filter/LNA Specification

Characteristics	Specification		
	DC=2.7V	DC=3.0V	DC=3.3V
Gain	17.7	18.05	17.9
Noise Figure	2.0	2.0	2.0
Output V.S.W.R	<2.0	<2.0	<2.0
Current(mA)	3.98	4.4	4.2

单击下面可查看定价，库存，交付和生命周期等信息

[>>kinghelm\(金航标\)](#)