

THIS DRAWING IS UNPUBLISHED. RELEASED FOR PUBLICATION
 © COPYRIGHT - By - TE CONNECTIVITY ALL RIGHTS RESERVED.

LOC	DIST	REVISIONS			
P	LTR	DESCRIPTION	DATE	DWN	APVD
HB	-				
A2		ADD NEW PN ECO-19-001188	24-Jan-19	WQ.Y	K.T
A3		UPDATE SMALL ERROR ECO-19-017773	21-Nov-19	WQ.Y	K.T

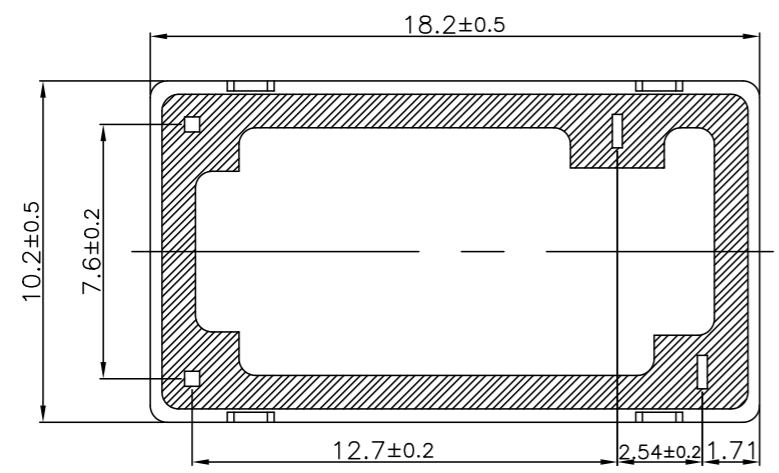
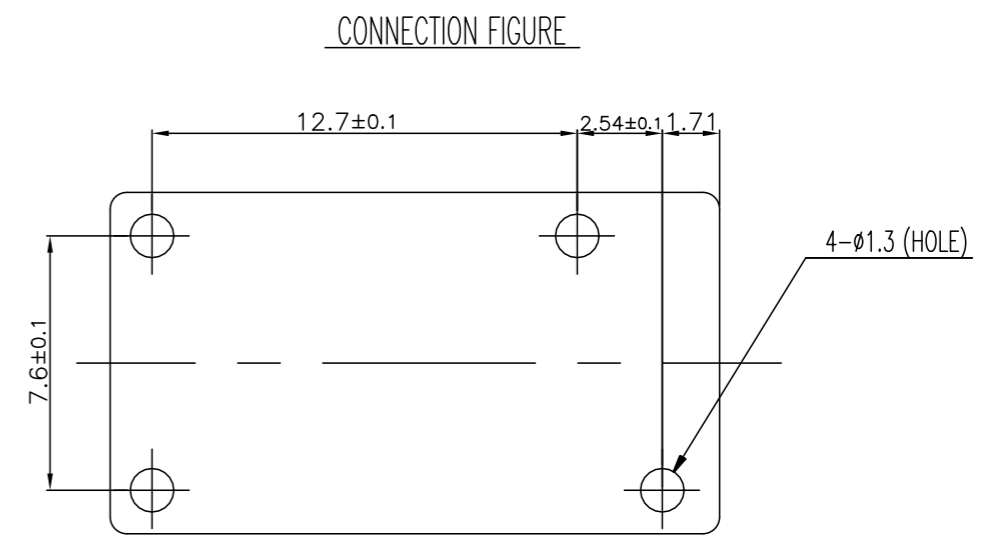
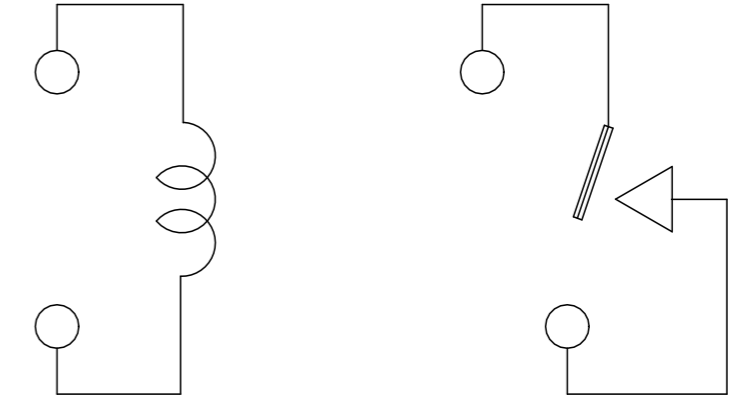
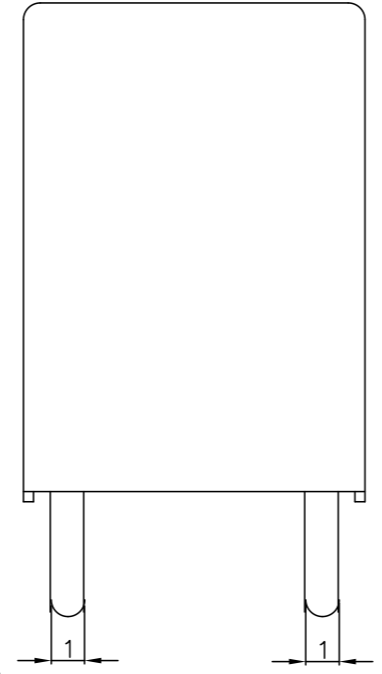
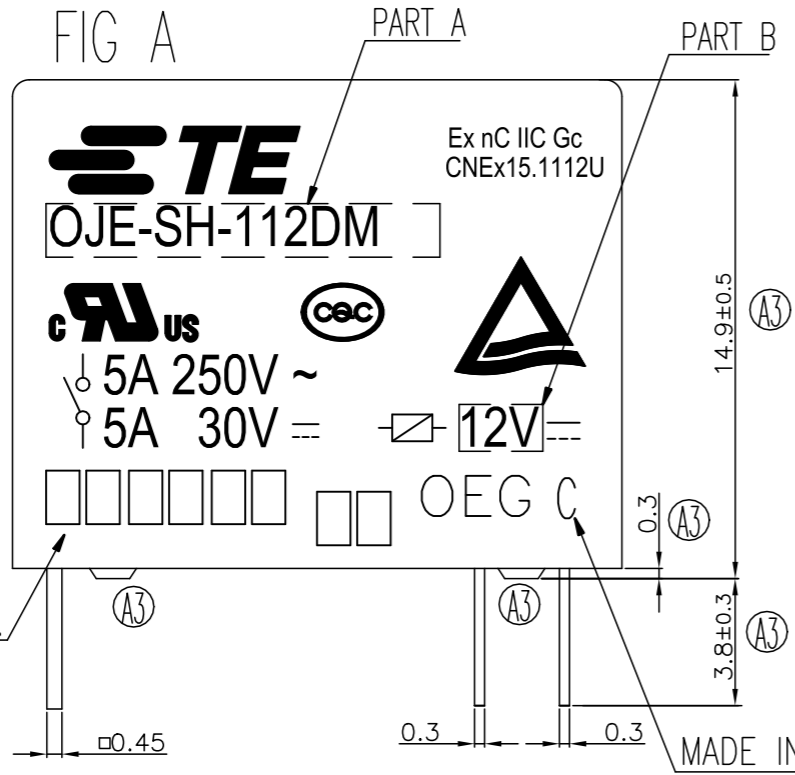
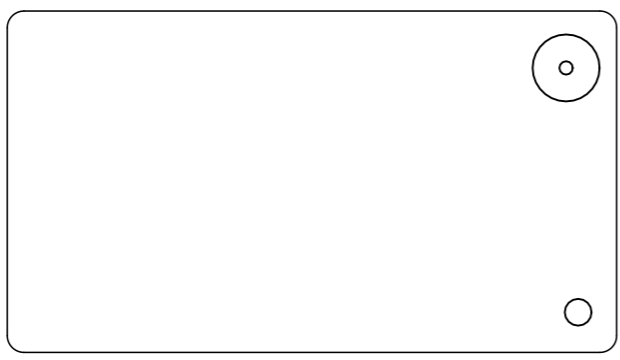


Diagram dimension	Tolerance
0.99mm max.	±0.1mm
1 - 2.99mm	±0.2mm
3mm min.	±0.3mm

THIS DRAWING IS A CONTROLLED DOCUMENT.		DWN	Huang,Yunshou		TE Connectivity OJE-SH-DM.ANTI-Ex CUSTOMER DRAWING
DIMENSIONS: mm		CHK	Zhang,Xiaoning		
TOLERANCES UNLESS OTHERWISE SPECIFIED:		APVD	Zhang,Sunny		
0 PLC ±- 1 PLC ±- 2 PLC ±- 3 PLC ±- 4 PLC ±- ANGLES ±-		PRODUCT SPEC	-		
MATERIAL		FINISH	-		NAME OJE-SH-DM.ANTI-Ex CUSTOMER DRAWING
		WEIGHT	-		SIZE A3
		CUSTOMER DRAWING		CAGE CODE 00779	DRAWING NO 2071369
				RESTRICTED TO -	SCALE 5:1
				SHEET 1 OF 2	REV A3

THIS DRAWING IS UNPUBLISHED. RELEASED FOR PUBLICATION
 © COPYRIGHT - By - ALL RIGHTS RESERVED.

LOC		DIST		REVISIONS				
P	LTR	DESCRIPTION			DATE	DWN	APVD	
-	-	SEE SHEET 1			-	-	-	

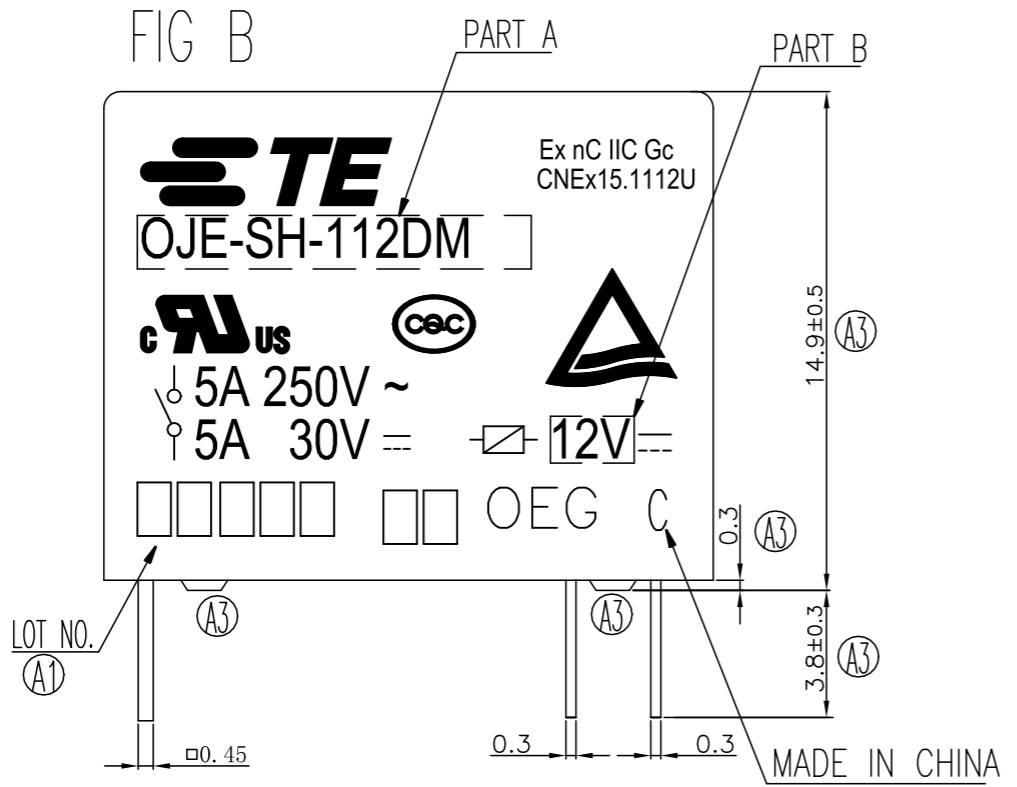


FIG	TE PART NO	PART A	PART B	TE TYPE NAME	TYPE
A2	2071369-6	OJE-SH-112DM			f
A2	2071369-5	OJE-SH-112DM			e
A1	2071369-4	OJE-SH-112DM	12V	OJE-SH-112DM	d
	2071369-3	OJE-SH-112DM			c
A1	2071369-2	OJE-SH-112DM			b
	2071369-1	OJE-SH-112DM			a

FIG A

NOTE

1. ALL LOGO TO BE SCALE DOWNED
2. FONT IS ARIAL NARROW.
3. PRODUCT SPECIFICATION AS SHOWN AT TABLE
4. USE LASER MACHINE TO PRINT.
5. LOT NO. SYSTEM AS FOLLOWING:

(A1) 1 8 4 7 7

DAY
VACANCY
WEEK
YEAR

I, DIGITS FOR DAY OF THE WEEK
 1)...MONDAY IN THIS WEEK;
 2)...TUESDAY IN THIS WEEK;
 7)...SUNDAY IN THIS WEEK

(A1) 6. ADD LOT NO. SYSTEM AS FOLLOWING;
 I II

I, DIGITS FOR SHIFT OF THE DAY
 1)...DAY SHIFT IN THIS DAY;
 2)...NIGHT SHIFT IN THIS DAY;
 II, ONE CHARACTER DISTINGUISH THE LINE IDENTITY, SUCH AS: A,B,...Z

7. ANTI-EXPLOSIVE CERTIFICATION NUMBER,

FIG B

NOTE

1. ALL LOGO TO BE SCALE DOWNED
2. FONT IS ARIAL NARROW.
3. PRODUCT SPECIFICATION AS SHOWN AT TABLE
4. USE LASER MACHINE TO PRINT.
5. LOT NO. SYSTEM AS FOLLOWING:

(A1) I II DAY
WEEK
YEAR

III, DIGITS FOR DAY OF THE WEEK
 1)...MONDAY IN THIS WEEK;
 2)...TUESDAY IN THIS WEEK;
 7)...SUNDAY IN THIS WEEK

6. ADD LOT NO. SYSTEM AS FOLLOWING;
 I II

I, DIGITS FOR SHIFT OF THE DAY
 1)...DAY SHIFT IN THIS DAY;
 2)...NIGHT SHIFT IN THIS DAY;
 II, ONE CHARACTER DISTINGUISH THE LINE IDENTITY, SUCH AS: A,B,...Z

7. ANTI-EXPLOSIVE CERTIFICATION NUMBER,

RELAY TYPE

INCOMBUSTIBILITY	TREATMENT	MATERIAL	DESCRIPTION	ITEM
		UV RESIN	SEAL VENT	16
		EPOXY RESIN	SEAL (BASE & BOBBIN)	15
		JUEW	MAGNETIC WIRE	14
		PA66	CASE	13
94V-0		P.E.T	BASE	12
94V-0		P.B.T	BOBBIN	11
	SOLDER DIP	C.P WIRE	COIL TERMINAL	10
94V-0		P.P.S	CARD	9
		Ag ALLOY	MOVABLE CONTACT	8
		Ag ALLOY	NO.CONTACT	7
		STEEL	HINGE SPRING	6
	SOLDER DIP	Cu ALLOY	NO.TERMINAL	5
	SOLDER DIP	Cu ALLOY	MOVABLE SPRING	4
	NIP	STEEL	CORE	3
	NIP	STEEL	ARMATURE	2
	NIP	STEEL	YOKE	1

THIS DRAWING IS A CONTROLLED DOCUMENT.

DWN: Huang, Yunshou
 CHK: Zhang, Xiaoning
 APVD: Zhang, Sunny

PRODUCT SPEC: -
 APPLICATION SPEC: -
 WEIGHT: -

TE Connectivity

NAME: OJE-SH-DM, ANTI-Ex CUSTOMER DRAWING

SIZE: A3 CAGE CODE: 00779 DRAWING NO: C=2071369 RESTRICTED TO: -

CUSTOMER DRAWING SCALE: 5:1 SHEET: 2 OF 2 REV: A3

单击下面可查看定价，库存，交付和生命周期等信息

[>>TE Connectivity\(泰科\)](#)