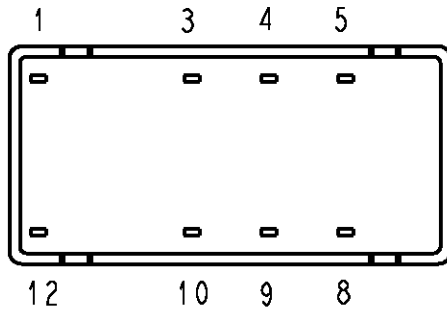
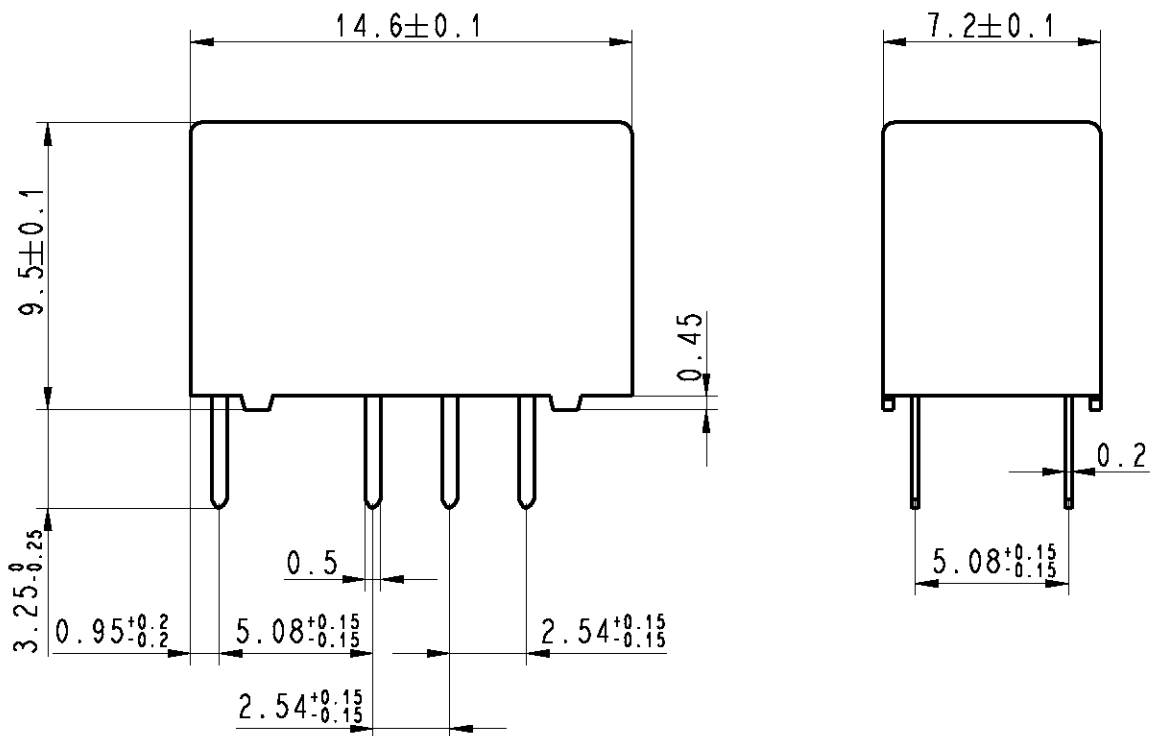


LOC	DIST	REVISIONS					
HJ	-	P	LTR	DESCRIPTION	DATE	DWN	APVD
			C2	REVISED PER ECO-11-005150	25MAR11	RK	HMR



Relay - bottom view



xx = Relay type
YYWD = Date code

DRAWING ALIAS C23303-A079-A001

RELEASED FOR PUBLICATION

ALL RIGHTS RESERVED.

THIS DRAWING IS UNPUBLISHED.

BY -
© COPYRIGHT

DIMENSIONS: mm	DWN	Korytak	02Jun2004	MATERIAL	-	FINISH	-	
	CHK	Korytak	02Jun2004					
TOLERANCES UNLESS OTHERWISE SPECIFIED: DIN 7168-m	APVD	Korytak	02Jun2004					
0 PLC ±-	PRODUCT SPEC	NAME P2-Relay THT Dimensions						
1 PLC ±	-							
2 PLC ±	APPLICATION SPEC	SIZE A4						
3 PLC ±	-							
4 PLC ±	WEIGHT	-	CAGE CODE 00779				DRAWING NO C-1393789-2	
ANGLES ±-	CUSTOMER DRAWING		SCALE 4:1		SHEET 1 OF 1		REV C2	

单击下面可查看定价，库存，交付和生命周期等信息

[>>TE Connectivity\(泰科\)](#)