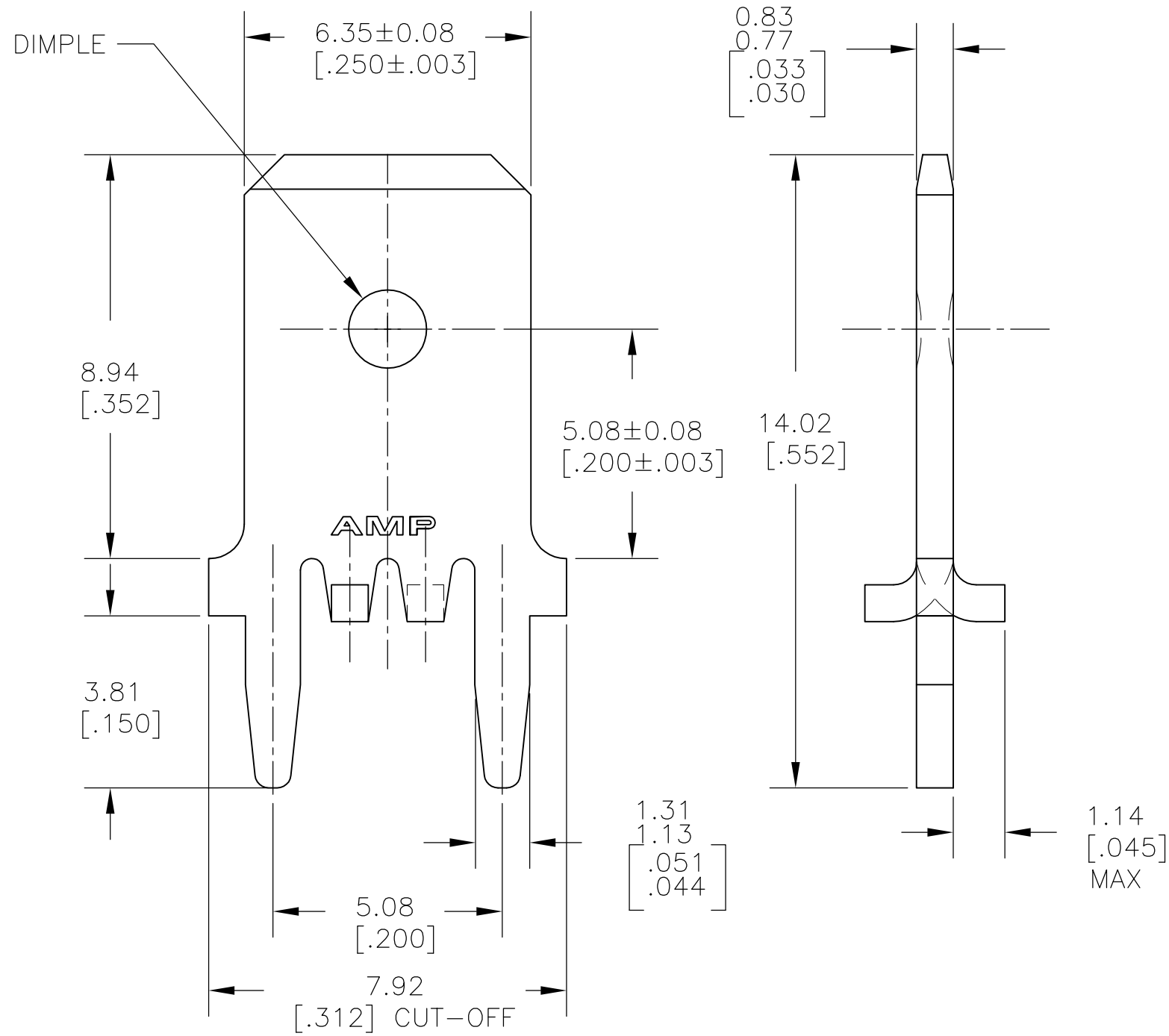
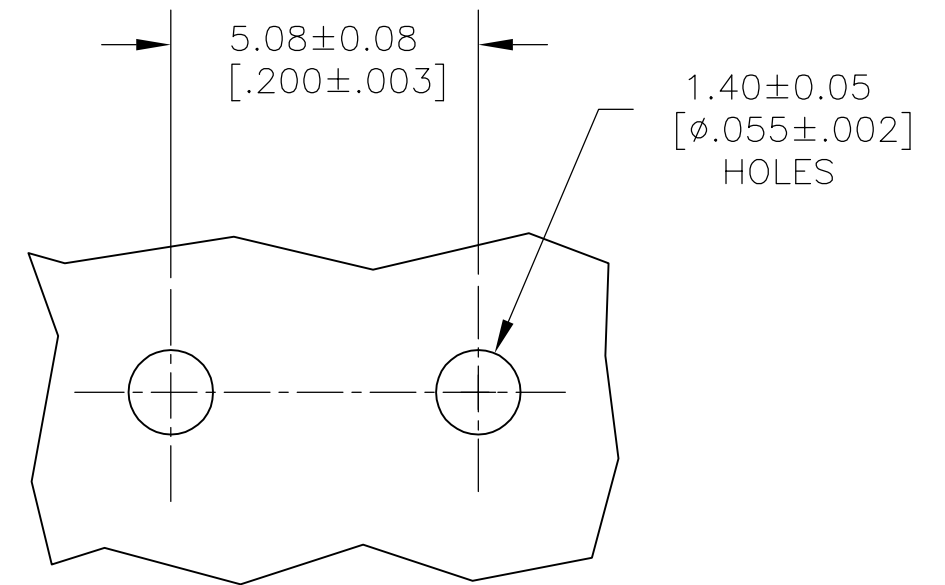


P	LTR	DESCRIPTION	DATE	DWN	APVD
	H	REVISED PER ECR-17-002070	09OCT2017	BDA	DH



- 1 CONTINUOUS STRIP ON REELS.
- 2 TIN PLATE 0.00381 [.000150] MIN OVER 0.00254 [.000100] MIN THK COPPER.
- 3 INTERLEAVING PAPER ADDED TO PACKAGING.



P.C. BOARD HOLE PATTERN

3	1217861-2
	1217861-1
	PART NO.

THIS DRAWING IS A CONTROLLED DOCUMENT.		DWN JR RUTH 24JUL02	<b>STE</b> TE Connectivity		
DIMENSIONS: mm [INCHES]		CHK MS FEHER 24JUL02			
TOLERANCES UNLESS OTHERWISE SPECIFIED:		APVD N DEIBERT 24JUL02	NAME		
0 PLC ± -		PRODUCT SPEC	TAB, FASTON, P.C.BOARD		
1 PLC ± -		APPLICATION SPEC	6.35 [.250]		
2 PLC ± 0.25 [.010]		114-2115	SIZE	CAGE CODE	DRAWING NO
3 PLC ± -		WEIGHT -	A3	00779	C-1217861
4 PLC ± -		CUSTOMER DRAWING	SCALE 8:1		SHEET 1 OF 1
ANGLES ± -			REV H		
FINISH					
MATERIAL BRASS					
2					

单击下面可查看定价，库存，交付和生命周期等信息

[>>TE Connectivity\(泰科\)](#)