

YT-26



Features



- External dimensions: 2.0 x 6.0 mm.
- Frequency range: 32.768KHz.
- Frequency tolerance(standard): ± 20 ppm.
- Excellent Reliability Performance.
- Applications: clock and Microcomputer.

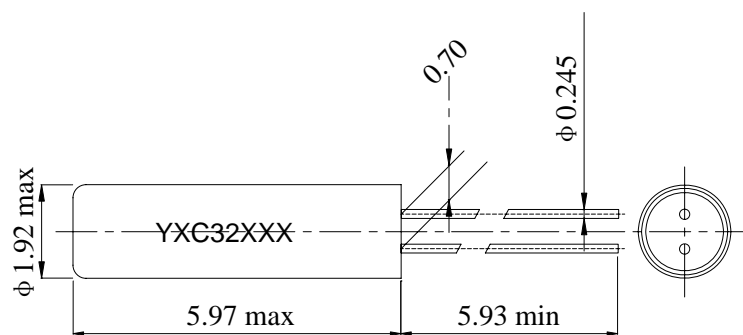
Electrical Specifications

Item / Type	YT-26
Nominal Frequency Range	32.768KHz
Vibration Mode	AT Fundamental
Load Capacitance	12.5pF , or specify
Frequency Tolerance (at 25 °C)	± 10 ppm, ± 20 ppm, or specify
Frequency Versus Temperature Characteristics	± 20 ppm, or specify
Operating Temperature	- 20 ~ + 70 °C , - 40 ~ + 85 °C , or specify
Storage Temperature	-40~+85 °C , or specify
Shunt Capacitance	1.6pF Max.
Level Of Drive	1 ~ 100 μ W (1.0 μ W Tvp)
Insulation Resistance	More Than 500M Ω at DC 100V
Frequency Aging (at 25 °C)	± 3 ppm / year Max.

Equivalent Series Resistance(ESR)

Fundamental	
32.768KHz	40 Ω Max.

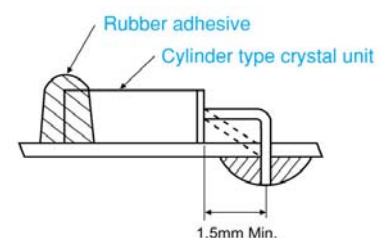
Dimensions



Units: mm(± 0.1 mm)

- Mounting of cylinder type products:

Soldering the body of the cylinder type crystal units with PCB must be avoided due to deteriorate the characteristics or damage the products. Rubber adhesive is recommended.



- Soldering

Lead wires should be soldered within 3 seconds with the soldering iron heated to a temperature no higher than 300°C

YT-26



★ PART NUMBER GUIDE 部件号示例 e.g. X206032768KGB2SC YT-26 =2.0×6.0 SMD SEAM TYPE

Quartz Crystal Resonator	Dimensions	Frequency (Hz)	Load Capacitance (Pf)	Frequency Stability Overall (ppm)	Pin	Material	Operating Temp. Range
X	2060	32768K	G	B	2	S	C

Load Capacitance (Pf)	
X	7.4pF
G	12.5pF

Frequency tolerance	
B	±10PPM
D	±20PPM

Operating temperature	
C	-20~ +70°C
I	-40~ +85°C

单击下面可查看定价，库存，交付和生命周期等信息

[>>YXC\(扬兴\)](#)