

**FEATURES**

- ※ Guiding post offers easy orientation
- ※ Ultra-low profile

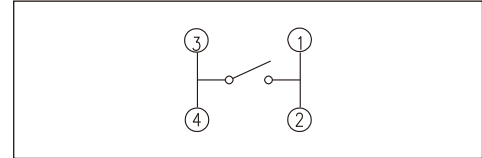
**APPLICATION**

- ※ Notebook
- ※ Smart phone

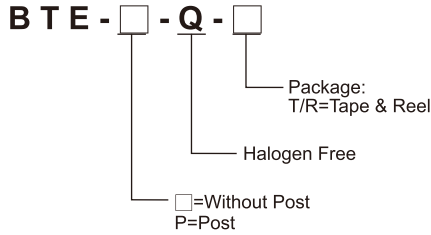
**SPECIFICATION**

Contact Rating	1mA, 5V DC
Contact Resistance	2Ω max.
Insulation Resistance	100MΩ min. 100V DC
Dielectric Strength	100V AC/1 minute
Operating Force	50gf max.
Travel	1.03mm
Operating Life	100,000 cycles
Operating Temp.	-10°C ~ +60°C
Storage Temp.	-20°C ~ +70°C

**CIRCUIT**



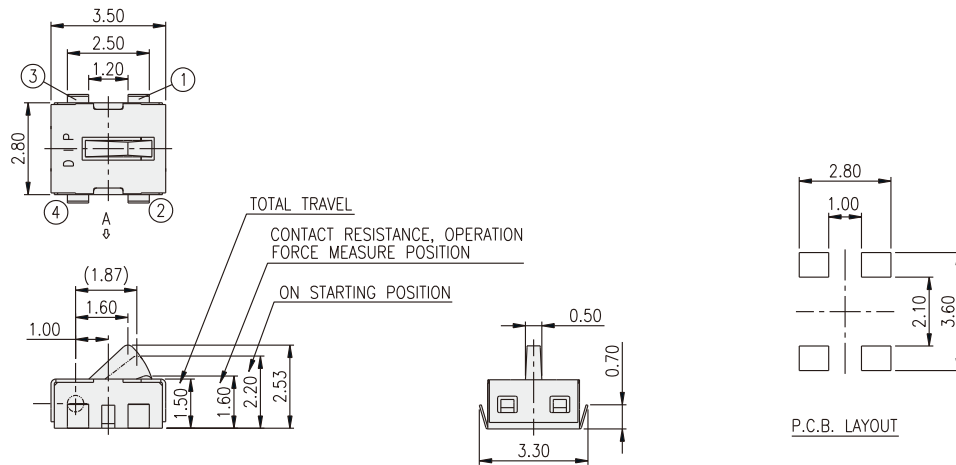
**HOW TO ORDER**



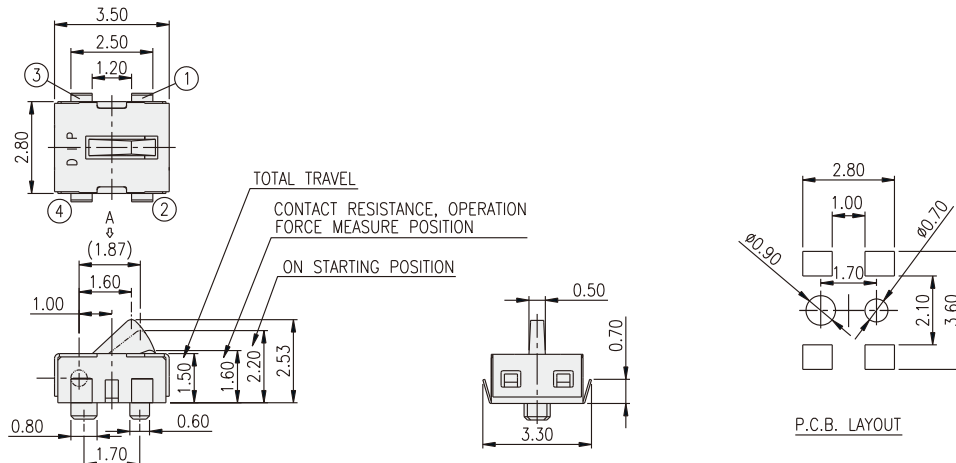
**PACKAGE**

<Tape & Reel>  
2600 pcs

**BTE**



**BTE-P**



单击下面可查看定价，库存，交付和生命周期等信息

[>>Diptronics\(圆达\)](#)