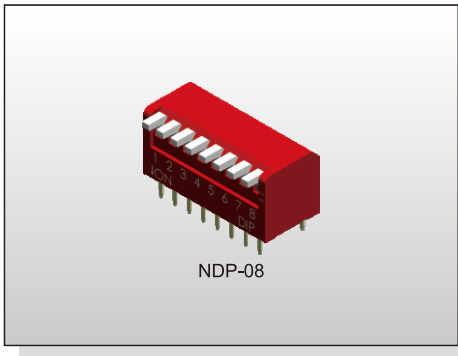


# DIP SWITCH NDP SERIES

## SPST Standard Piano Type



### FEATURES

- ※Side actuation
- ※Gold contact for high reliability
- ※Red, blue, and black color options.

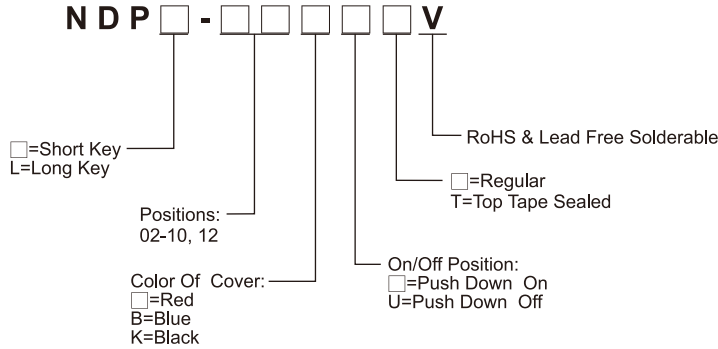
### APPLICATION

- ※Industrial control
- ※Computers and peripherals
- ※Variety of function controls

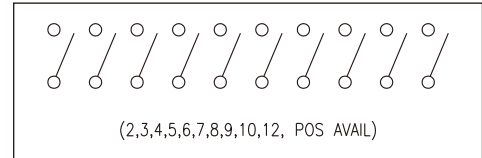
### SPECIFICATION

|                       |                    |
|-----------------------|--------------------|
| Contact Rating        | 25mA, 24V DC       |
| Contact Resistance    | 50mΩ max.          |
| Insulation Resistance | 100MΩ min. 500V DC |
| Dielectric Strength   | 500V AC/1 minute   |
| Operating Force       | 400gf max.         |
| Travel                | 25°                |
| Operating Life        | 2,000 cycles       |
| Operating Temp.       | -40°C ~ +85°C      |
| Storage Temp.         | -40°C ~ +85°C      |

### HOW TO ORDER



### CIRCUIT

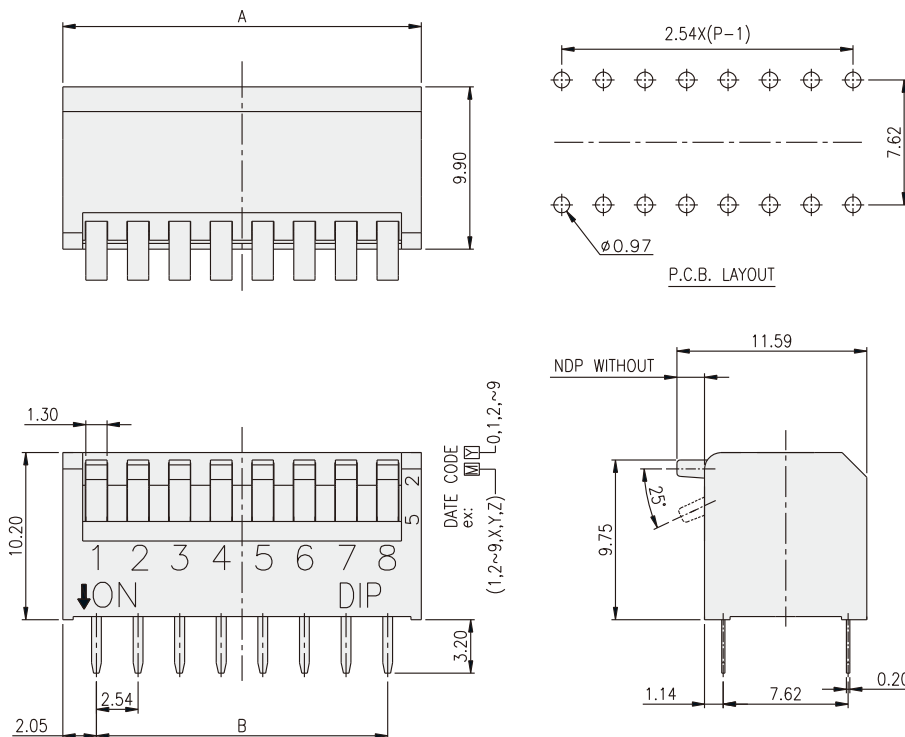


### PACKAGE

#### <Tube>

|                   |                    |
|-------------------|--------------------|
| NDP(L)-02: 70 pcs | NDP(L)-02T: 65 pcs |
| NDP(L)-03: 50 pcs | NDP(L)-03T: 49 pcs |
| NDP(L)-04: 39 pcs | NDP(L)-04T: 39 pcs |
| NDP(L)-05: 32 pcs | NDP(L)-05T: 32 pcs |
| NDP(L)-06: 27 pcs | NDP(L)-06T: 27 pcs |
| NDP(L)-07: 24 pcs | NDP(L)-07T: 24 pcs |
| NDP(L)-08: 21 pcs | NDP(L)-08T: 21 pcs |
| NDP(L)-09: 19 pcs | NDP(L)-09T: 19 pcs |
| NDP(L)-10: 17 pcs | NDP(L)-10T: 17 pcs |
| NDP(L)-12: 14 pcs | NDP(L)-12T: 14 pcs |

### NDP(L)



| PART NO.  | NO.OF POS. | DIM.A | DIM.B |
|-----------|------------|-------|-------|
| NDP(L)-02 | 2          | 6.64  | 2.54  |
| NDP(L)-03 | 3          | 9.18  | 5.08  |
| NDP(L)-04 | 4          | 11.72 | 7.62  |
| NDP(L)-05 | 5          | 14.26 | 10.16 |
| NDP(L)-06 | 6          | 16.80 | 12.70 |
| NDP(L)-07 | 7          | 19.34 | 15.24 |
| NDP(L)-08 | 8          | 21.88 | 17.78 |
| NDP(L)-09 | 9          | 24.42 | 20.32 |
| NDP(L)-10 | 10         | 26.96 | 22.86 |
| NDP(L)-12 | 12         | 32.04 | 27.94 |

单击下面可查看定价，库存，交付和生命周期等信息

[>>Diptronics\(圆达\)](#)