



# Approval Sheet

## Customer Information

Customer		
Part Name		
Part No.		
Model No.		
<b>COMPANY</b>	<b>PURCHASE</b>	<b>R&amp;D</b>



## Vendor Information

Name	SFI Electronics Technology Inc.
Part Name	Chip Surge Protection Device (CSPD) Series
Part No.	SEH(0R20) (ESD for High Speed) Series
Lot No.	

## SFI Electronics Technology Inc.

ADDRESS : No.6, Lane 340, Shan-Ying Road, Guishan, Tao Yuan, Taiwan

TEL : 886-3-3506998 FAX : 886-3-3507689 E-mail : sfi@sfi.com.tw

Quality Control	Document Control	Business Issue	
 <p>ISO 9001:2008 ISO 14001:2004 ISO/TS 16949:2009 Management System www.tuv.com ID 1100008833</p>	REV : C	Prepared	Check
			

Part No.	<b>SEH(0R20) Series</b>	Document No.	<b>AS-RDSEH-S01</b>	REV.	<b>C</b>
----------	-------------------------	--------------	---------------------	------	----------



### PART NO. SEH(0R20) Series

#### 1.1 Performance Characteristic

Part No.	Working Voltage	Typical ESD Trigger Voltage	Typical ESD Clamping Voltage at 30ns	Leakage Current (at Initial State)	Leakage Current (after ESD Test)	Cap. Value at 1MHz
Symbol	$V_{DC(max.)}$	$V_{trigger(typ.)}$	$V_c(typ.)$	$I_{LDC}$	$I_{LDCA}$	C
Unit	V	V	V	$\mu A$	$\mu A$	pF
SFI0402EH060-0R20P	6	300	30	<0.05	<10	0.20pF (max. 0.30pF)
SFI0402EH120-0R20P	12	300	30	<0.05	<10	0.20pF (max. 0.30pF)
SFI0402EH240-0R20P	24	300	30	<0.05	<10	0.20pF (max. 0.30pF)
SFI0603EH060-0R20P	6	300	30	<0.05	<10	0.20pF (max. 0.40pF)
SFI0603EH120-0R20P	12	300	30	<0.05	<10	0.20pF (max. 0.40pF)
SFI0603EH240-0R20P	24	300	30	<0.05	<10	0.20pF (max. 0.40pF)

\* 1 The clamping voltage was measured by IEC61000-4-2 level 4, direct discharge 8KV.

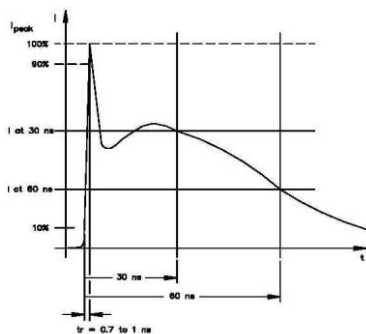
\* 2 The leakage current was measured at  $V_{DC}$ .

\* 3 The components shall be employed within 1 year, in the nitrogen condition.

#### 1.2 Reference Data

	Symbol	Value	Unit
Response time	$T_{rise}$	< 0.5	ns
Operation ambient temperature		-50~+85	$^{\circ}C$
Storage temperature		-50~+125	$^{\circ}C$
Withstanding ESD capability	IEC61000-4-2	Level 4	
Body		Nano special ceramic	
End termination		Ag/Ni/Sn	
Packaging		Reel	
Complies with standard		IEC61000-4-2	
Complies with RoHs standard		Yes	
Lead content	<	1000	ppm
Marking		None	

#### ESD Wave Form



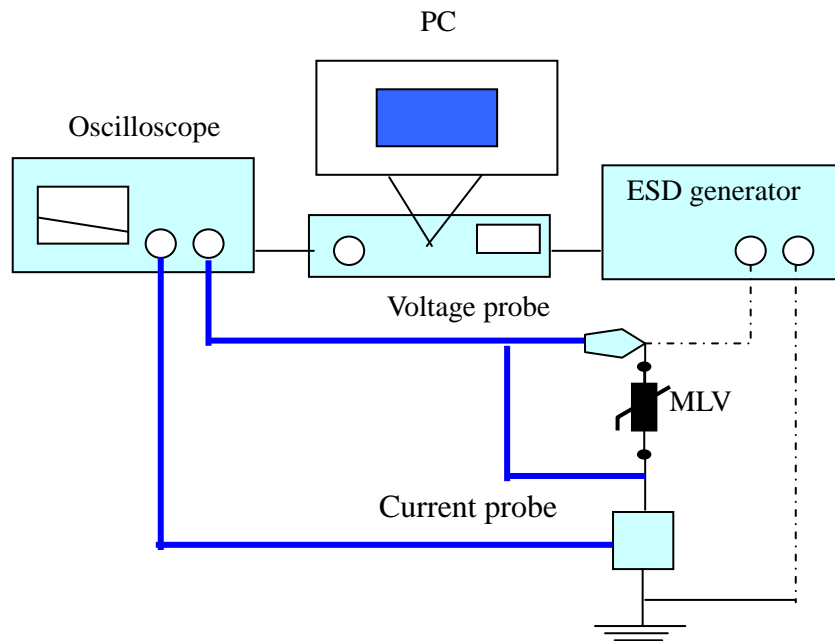
#### IEC61000-4-2 Standards

SEVERITY LEVEL	AIR DIRCHARGE	DIRECT DISCHARGE
1	2KV	2KV
2	4KV	4KV
3	8KV	6KV
4	15KV	8KV

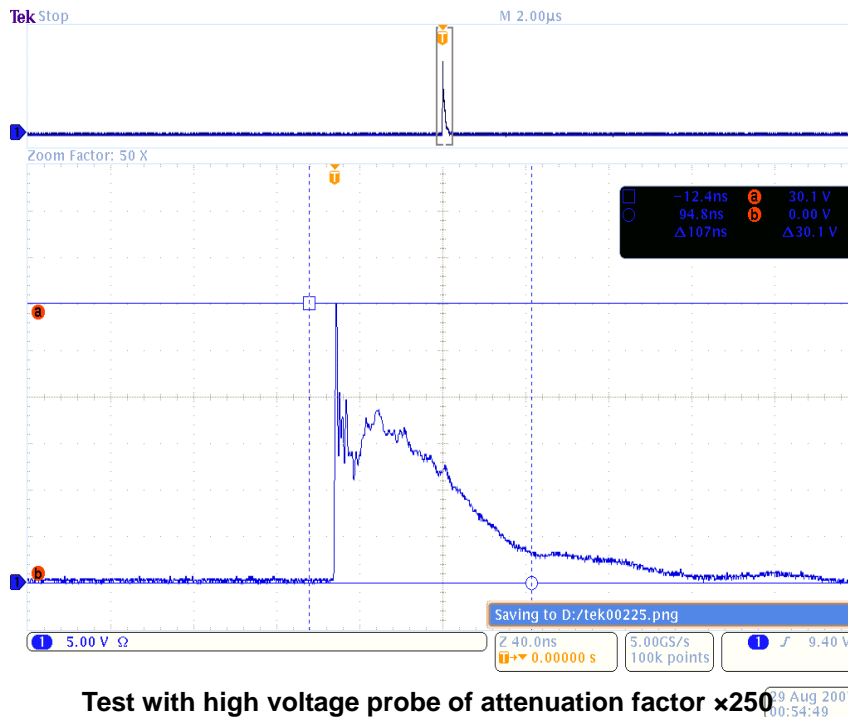
IEC61000-4-2 compliant ESD current pulse waveform

Part No.	<b>SEH(0R20) Series</b>	Document No.	<b>AS-RDSEH-S01</b>	REV.	<b>C</b>
<a href="http://www.sfi.com.tw">http://www.sfi.com.tw</a> E-mail : <a href="mailto:sfi@sfi.com.tw">sfi@sfi.com.tw</a> TEL : 886-3-3506998 FAX : 886-3-3507689 - 2 -					

**2. ESD Testing Circuit and Testing Results**



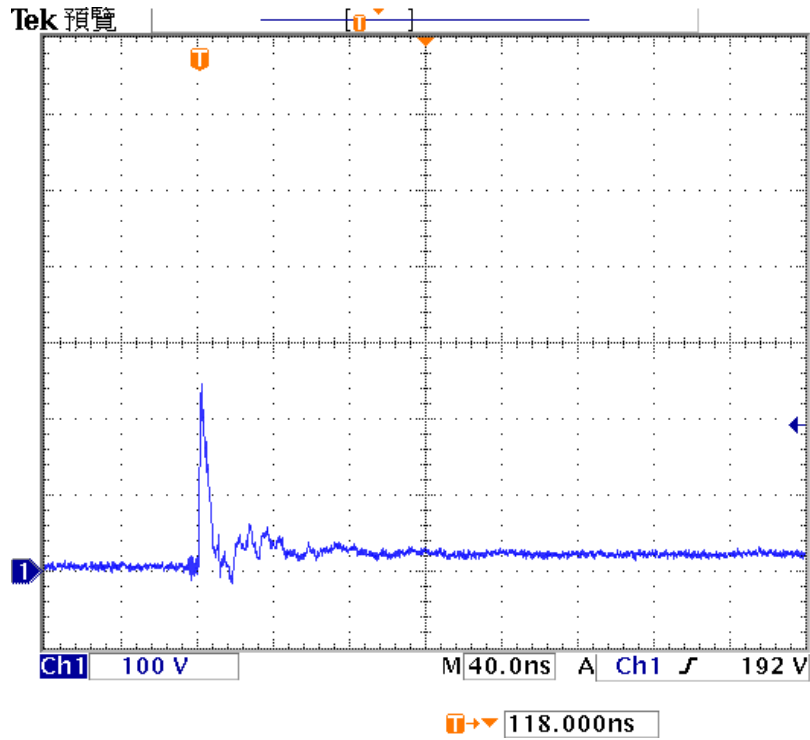
**Fig 2(A) ESD testing circuit**



**Test with high voltage probe of attenuation factor  $\times 250$**

**Fig 2(B) without ESD protection sample**

Part No.	<b>SEH(0R20) Series</b>	Document No.	<b>AS-RDSEH-S01</b>	REV.	<b>C</b>
<a href="http://www.sfi.com.tw">http://www.sfi.com.tw</a> E-mail : <a href="mailto:sfi@sfi.com.tw">sfi@sfi.com.tw</a> TEL : 886-3-3506998    FAX : 886-3-3507689    - 3 -					



24 6月 2008  
14:23:42

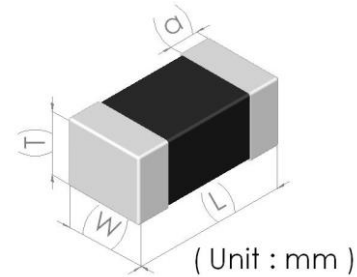
Fig 2(C) with SEH(0R20) sample

Part No.	<b>SEH(0R20) Series</b>	Document No.	<b>AS-RDSEH-S01</b>	REV.	<b>C</b>
<a href="http://www.sfi.com.tw">http://www.sfi.com.tw</a> E-mail : <a href="mailto:sfi@sfi.com.tw">sfi@sfi.com.tw</a> TEL : 886-3-3506998 FAX : 886-3-3507689 -4-					



### 3. Size

Model	0402(1005)	0603(1608)
Length(L)	1.00±0.10	1.60±0.15
Width(W)	0.50±0.10	0.80±0.10
Thickness(T)	0.60 max.	0.90 max.
Termination(a)	0.25±0.10	0.30±0.10



### 4. Environment Reliability Test

Characteristic	Test Method and Description			
High Temperature Storage	The specimen shall be subjected to 125±2°C for 1000±2 hours without load and then stored at room temperature and normal humidity for one or two hours. The change of varistor voltage shall be within 10%.			
Temperature Cycle	The temperature cycle of specified temperature shall be repeated five times and then stored at room temperature and normal humidity for one or two hours. The change of varistor voltage shall be within 10% and mechanical damage shall be examined.	Step	Temperature	Period
		1	-40±3°C	30±3min
		2	room temperature	1 hour
		3	125±3°C	30±3min
4	room temperature	1 hour		
High Temperature Load	After being continuously applied the maximum allowable voltage at 85±2°C for 1000±2 hours, the specimen shall be stored at room temperature and normal humidity for one or two hours. The change of varistor voltage shall be within 10%.			
Damp Heat Load/ Humidity Load	The specimen should be subjected to 40±2°C and 90~95% RH, the maximum allowable voltage applied for 1000±2 hours and then stored at room temperature and normal humidity for one or two hours. The change of varistor voltage shall be within 10%.			
Low Temperature Storage	The specimen should be subjected to -40±2°C for 1000±2 hours without load and then stored at room temperature and normal humidity for one or two hours. The change of varistor voltage shall be within 10%.			

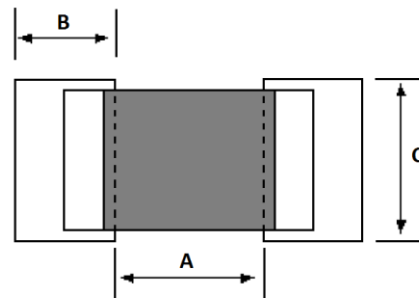
Part No.	<b>SEH(0R20) Series</b>	Document No.	<b>AS-RDSEH-S01</b>	REV.	<b>C</b>
<a href="http://www.sfi.com.tw">http://www.sfi.com.tw</a> E-mail : <a href="mailto:sfi@sfi.com.tw">sfi@sfi.com.tw</a> TEL : 886-3-3506998    FAX : 886-3-3507689    - 5 -					

### 5. Soldering Recommendations

#### 5.1 Recommended solder pad layout

(Unit : mm)

	A	B	C
0402	0.4~0.6	0.6~0.9	0.5~0.7
0603	0.9~1.2	0.9~1.2	0.8~1.0

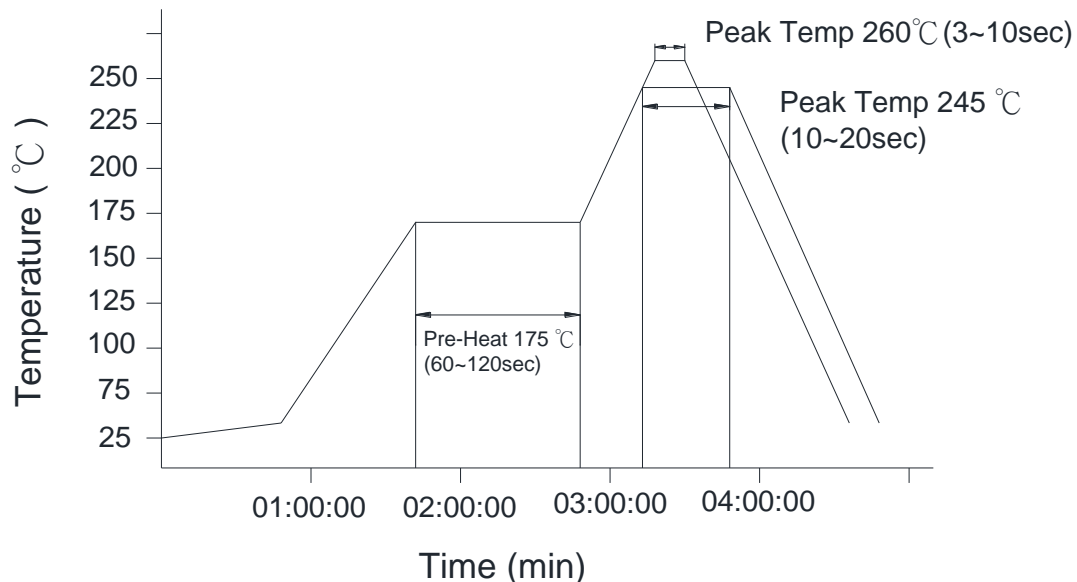


#### 5.2 The SIR test of the solder paste shall be done (Based on JIS-Z-3284)

#### 5.3 Steel plate and foot distance printing

Foot distance printing (mm)	Steel plate thickness (mm)
$\geq 0.65\text{mm}$	0.18mm
0.50~0.65mm	0.15mm
0.40~0.50mm	0.12mm
$\leq 0.40\text{mm}$	0.10mm

#### 5.4 The IR reflow and temperature of soldering for Pb free process



#### ☆ IR reflow Pb free process suggestion profile

- (1) The solder recommend is Sn96.5/Ag3.5 and thickness recommend as shown in table 5.3
- (2) Ramp-up rate (217°C to peak) +3°C/second max.
- (3) Temp. maintain at 175±25°C 180 seconds max.
- (4) Temp. maintain above 217°C 60~150 seconds

Part No.	SEH(0R20) Series	Document No.	AS-RDSEH-S01	REV.	C
<a href="http://www.sfi.com.tw">http://www.sfi.com.tw</a> E-mail : <a href="mailto:sfi@sfi.com.tw">sfi@sfi.com.tw</a> TEL : 886-3-3506998 FAX : 886-3-3507689 - 6 -					



- (5) Peak temperature range  $245 \pm 20/-10^{\circ}\text{C}$  within  $5^{\circ}\text{C}$  of actually peak temperature ( $t_p$ ) 10~20 seconds
- (6) Ramp down rate  $-6^{\circ}\text{C}/\text{second}$  max.

※ Perform adequate test in advance as the reflow temperature profile will vary according to the conditions of the manufacturing process and the specification of the reflow furnace.

5.5 Resistance to soldering heat and high temperature resistance :  $260^{\circ}\text{C}$  , 10sec 3 times

### 5.6 Hand soldering

In hand soldering of the SEH devices, large temperature gradient between preheated the SEH devices and the tip of soldering iron may cause electrical failures and mechanical damages such as cracking or breaking of the devices. The soldering shall be carefully controlled and carried out, so that the temperature gradient is kept minimum with following recommended conditions for hand soldering.

#### 5.6.1 Recommended soldering condition 1 (with preheating)

(1) Solder

**0.12~0.18mm** thread solder (Sn96.5:Ag3.5) with soldering flux in the core  
rosin-based and non-activated flux is recommended.

(2) Preheating

The SEH devices shall be preheated so that temperature gradient between the devices and the tip of soldering iron is  $150^{\circ}\text{C}$  or below.

(3) Soldering iron

Rated power of 20W max. with 3mm soldering tip in diameter

Temperature of soldering iron tip  $380^{\circ}\text{C}$  max., 3~5sec (The required amount of solder shall be melted in advance on the soldering tip.)

(4) Cooling

After soldering, the SEH devices shall be cooled gradually at room ambient temperature.

#### 5.6.2 Recommended soldering condition 2 (without preheating)

(1) Solder iron tip shall not directly touch to ceramic dielectrics.

(2) Solder iron tip shall be fully preheated before soldering while soldering iron tip to the external electrode of SEH devices.

### 5.7 Post soldering cleaning

5.7.1 Residues of corrosive soldering fluxes on the PC board after cleaning may greatly have influences on the electrical characteristic and the reliability (such as humidity resistance) of the SEH devices which have been mounted on the board. It shall be confirmed that the characteristic and the reliability of the devices are not affected by the applied cleaning conditions.

5.7.2 When an ultrasonic cleaning is applied to the mounted SEH devices on PC boards. Following conditions are recommended for preventing failures or damages of the devices due to the large vibration energy and the resonance conditions caused by the ultrasonic waves.

(1) Frequency 29MHz max.

(2) Radiated power 20W/liter max.

(3) Period 5 minutes max.

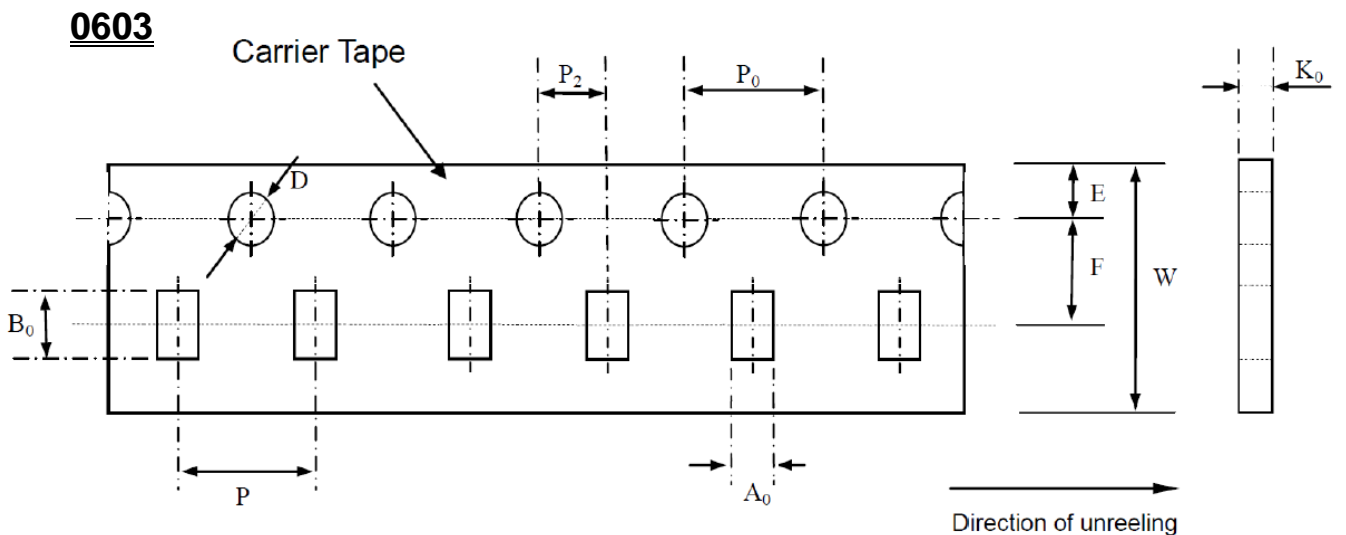
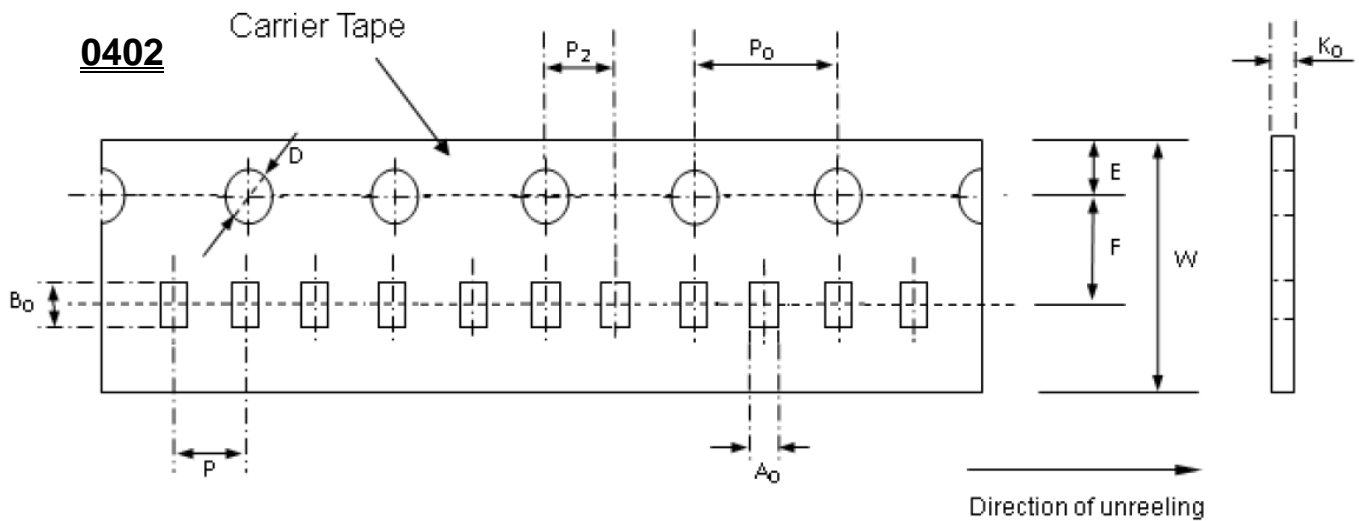
Part No.	<b>SEH(0R20) Series</b>	Document No.	<b>AS-RDSEH-S01</b>	REV.	<b>C</b>
<a href="http://www.sfi.com.tw">http://www.sfi.com.tw</a> E-mail : <a href="mailto:sfi@sfi.com.tw">sfi@sfi.com.tw</a> TEL : 886-3-3506998    FAX : 886-3-3507689    - 7 -					

### 6. Packaging Specification

6.1 Carrier tape and transparent cover tape should be heat-sealed to carry the products, and the reel should be used to reel the carrier tape.

6.2 The adhesion of the heat-sealed cover tape shall be 40 +20/-15 grams.

6.3 Both the head and the end portion of the taping shall be empty for reel package and SMT auto-pickup machine. And a normal paper tape shall be connected in the head of taping for the operator to handle.



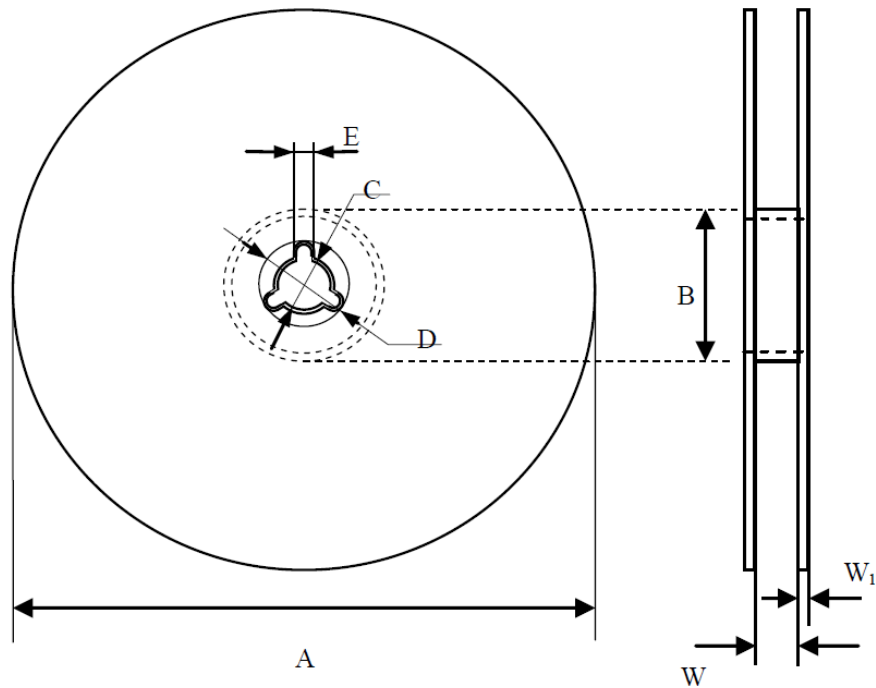
(Unit : mm)

Symbol	$A_0$ $\pm 0.05$	$B_0$ $\pm 0.05$	$K_0$ $\pm 0.05$	$D$ $+0.10$ $-0.05$	$P$ $\pm 0.10$	$P_2$ $\pm 0.10$	$P_0$ $\pm 0.10$	$W$ $\pm 0.10$	$E$ $\pm 0.10$	$F$ $\pm 0.05$
<b>0402</b>	0.62	1.12	0.60	1.55	2.00	2.00	4.00	8.00	1.75	3.50
<b>0603</b>	1.10	1.90	0.95	1.56	4.00	2.00	4.00	8.00	1.75	3.50

Part No.	<b>SEH(0R20) Series</b>	Document No.	<b>AS-RDSEH-S01</b>	REV.	<b>C</b>
<a href="http://www.sfi.com.tw">http://www.sfi.com.tw</a> E-mail : <a href="mailto:sfi@sfi.com.tw">sfi@sfi.com.tw</a> TEL : 886-3-3506998 FAX : 886-3-3507689 - 8 -					



### 7. Reel Dimension



(Unit : mm)

Symbol	A	B	C	D	E	W	W <sub>1</sub>
<b>0402</b>	178.0±1.0	60.0±0.5	13.0±0.2	21.0±0.2	2.0±0.5	9.0±0.5	1.5±0.1
<b>0603</b>	178.0±1.0	60.0±0.5	13.0±0.2	21.0±0.2	2.0±0.5	9.0±0.5	1.5±0.1

### 8. Standard Packaging

Size	0402	0603
Pcs	10000	5000

Part No.	<b>SEH(0R20) Series</b>	Document No.	<b>AS-RDSEH-S01</b>	REV.	<b>C</b>
<a href="http://www.sfi.com.tw">http://www.sfi.com.tw</a> E-mail : <a href="mailto:sfi@sfi.com.tw">sfi@sfi.com.tw</a> TEL : 886-3-3506998 FAX : 886-3-3507689 - 9 -					

单击下面可查看定价，库存，交付和生命周期等信息

[>>SFI\(台湾立昌\)](#)