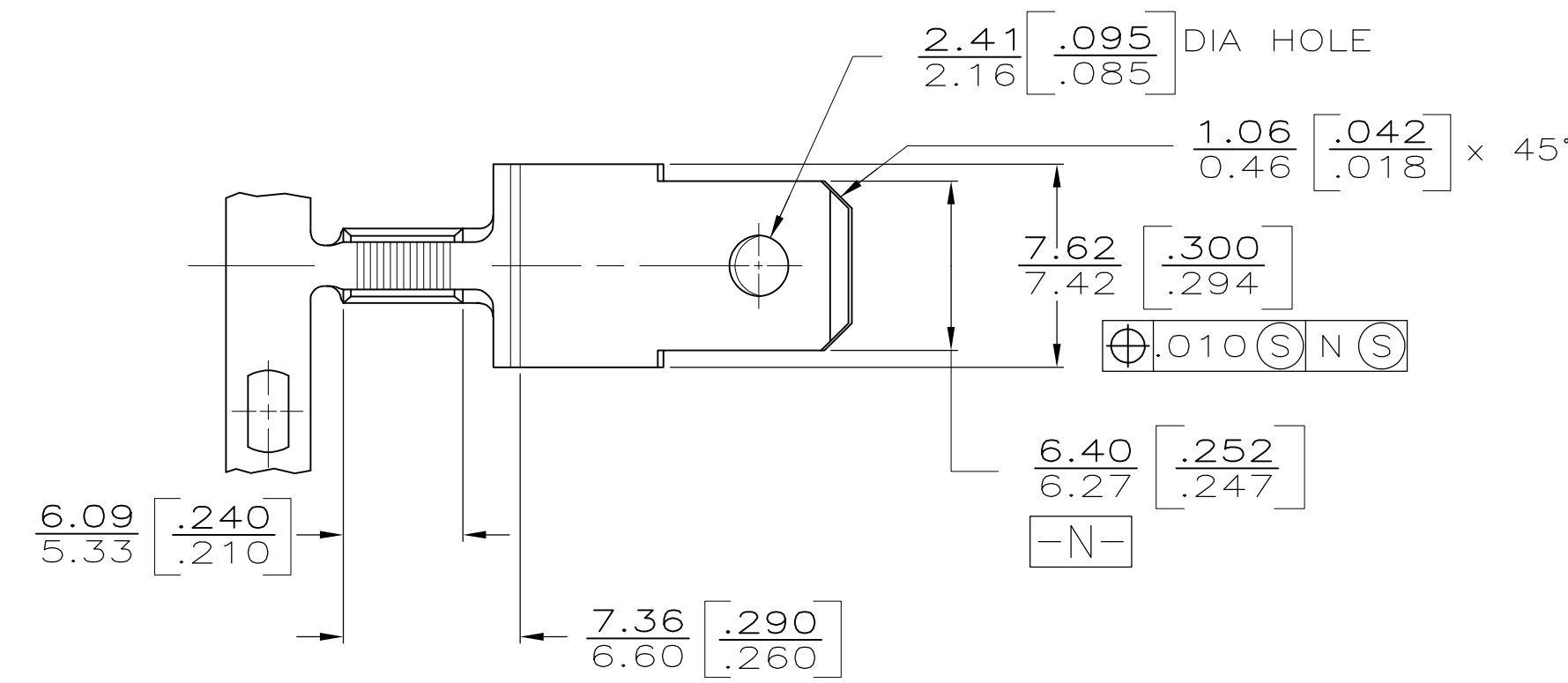
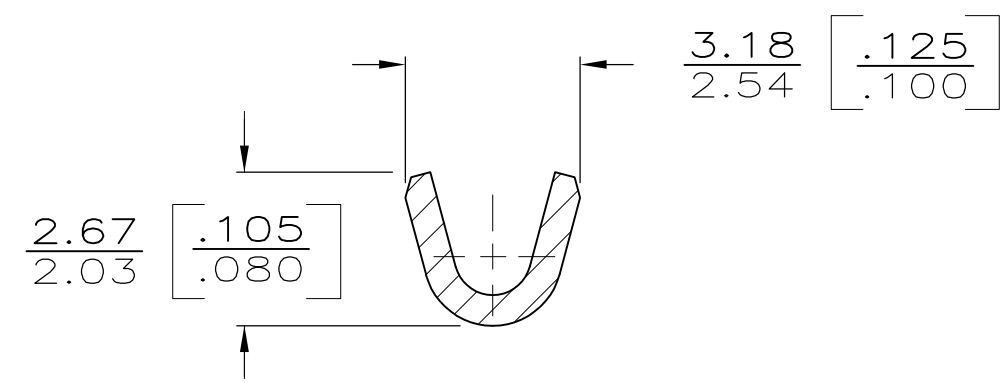
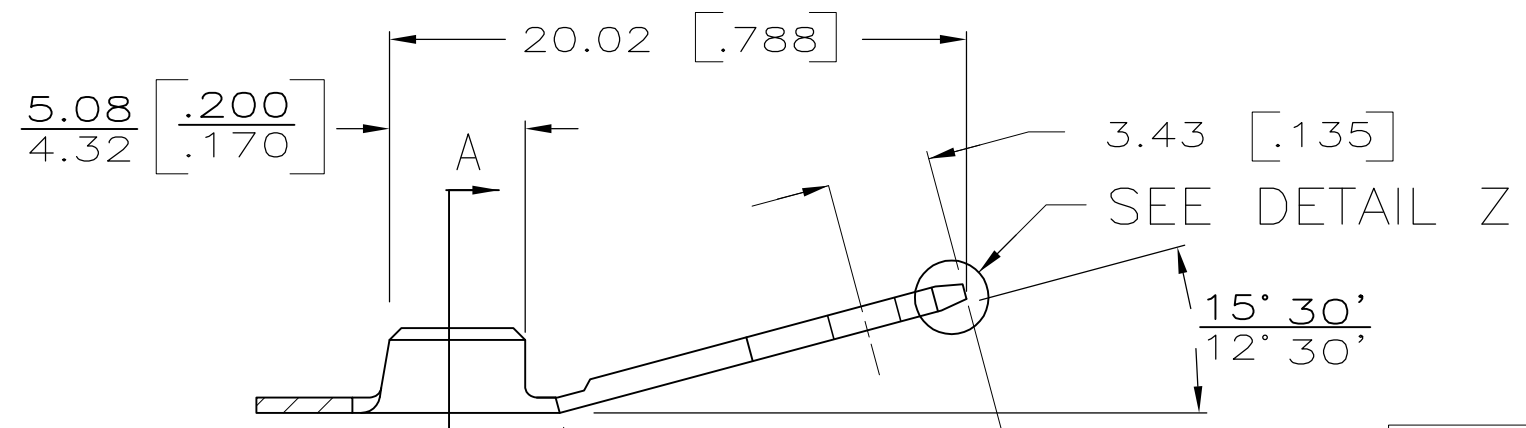


THIS DRAWING IS UNPUBLISHED. RELEASED FOR PUBLICATION
 © COPYRIGHT - By TYCO ELECTRONICS CORPORATION. ALL RIGHTS RESERVED.

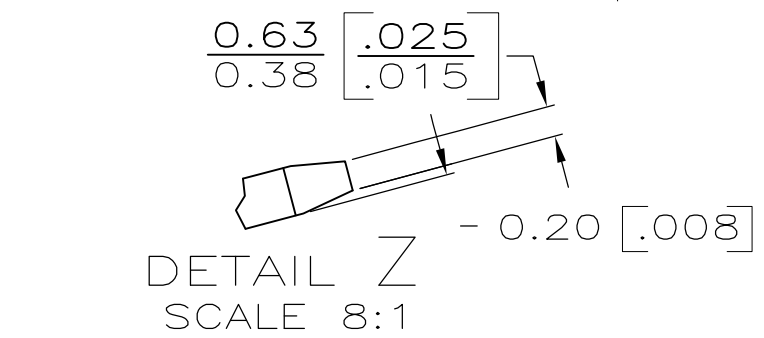
LOC	DIST	REVISIONS			
P	LTR	DESCRIPTION	DATE	DWN	APVD
AF	50	N	REVISE PER ECR-13-013738	15FEB2014	GRZ JL



1- DIMENSIONS IN BRACKETS ARE IN INCHES.
 2- CONTINUOUS STRIP ON REELS.



SECTION A-A



METRIC

REVERSE REEL	0.81 ^{±0.025} [.032] ±.001 PRE-MILLED TO 0.51 ^{±0.025} [.020] ±.001	0.91-0.57 MM DIA [19-23]	63165-2 63165-1
REELING	MATERIAL	WIRE BARREL	PART NUMBER

THIS DRAWING IS A CONTROLLED DOCUMENT.		DWN JR RUTH 3-21-86	TE Connectivity .250 FASTON AMPLIVAR TAB	
DIMENSIONS: INCHES		CHK G YETTER 3-21-86		
TOLERANCES UNLESS OTHERWISE SPECIFIED:		APVD C MEYERS 3-21-86		
0 PLC ± - 1 PLC ± - 2 PLC ± - 3 PLC ± .010 4 PLC ± - ANGLES ± -		NAME		
MATERIAL BRASS		FINISH TIN	PRODUCT SPEC R KUZO 3-21-86	SIZE A3
			APPLICATION SPEC	CAGE CODE 00779
			WEIGHT -	DRAWING NO C-63165
			CUSTOMER DRAWING	RESTRICTED TO -
			SCALE NTS	SHEET 1 OF 1
				REV N

单击下面可查看定价，库存，交付和生命周期等信息

[>>TE Connectivity\(泰科\)](#)