

Operation: SMT & Hinge



LTEM NO.: SIM-011T-R6 (Consumer Electronics)

(30.00L × 15.65W × 2.5H & MINI-SIM Sockets)

MEMORY-CARD-SOCKETS



Technical parameter

外焊貼裝 SMT

PROJECT	LEVEL	A[better product]		B[average product]	
		A[better product]		B[average product]	
<b>Electrical Properties</b>	Contact Rating	25mA, 24V DC			
	Initial Contact Resistance	30mΩ max.		50mΩ max.	
	Insulation Resistance	100MΩ min.500V DC			
	Withstand Voltage	500V AC for 1 minute		350 V AC for 1 minut	
<b>Durable Performance</b>	There No Load	5,000 Cycles		3,500 Cycles	
	Rated Load	3,500 Cycles		3,000 Cycles	
	Storage temp.	-25℃~+85℃(Operating Temp: )			

側向導入 LATERAL

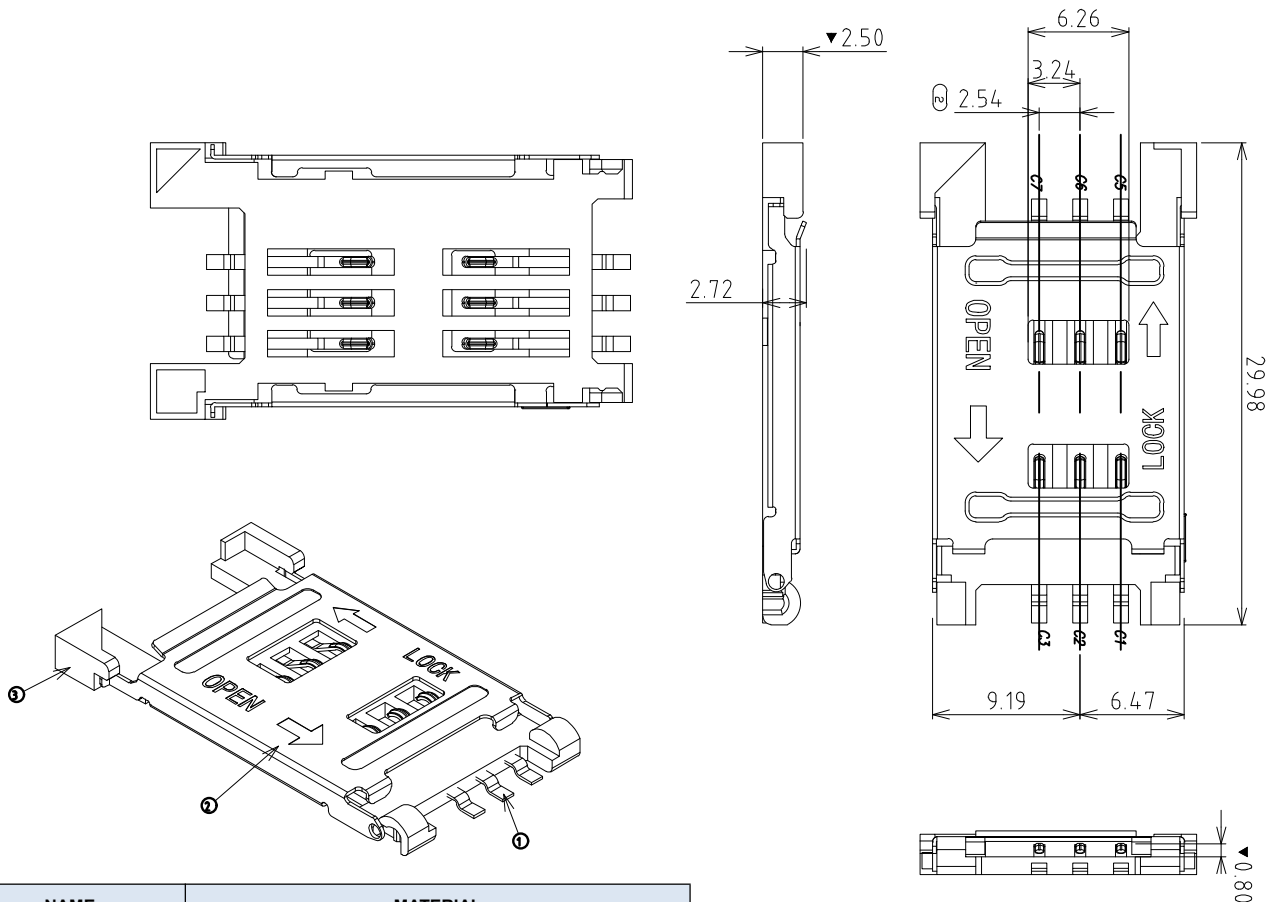
精密部品 NICETY

可靠 STABILIZE

適合環保 RoHS

Page1

Unit:mm



NAME	MATERIAL
① CONTACT	C5191-H 磷青銅 COPPER ALLOY[Gold Flash-6PIN]
② COVER	SUS301-3/4H(t=0.15mm)不銹鋼【焊點鍍金 1u"】
③ HOUSING	LCP S475 THERMOPLASTIC,UL 94V-0,COLOR:BLACK

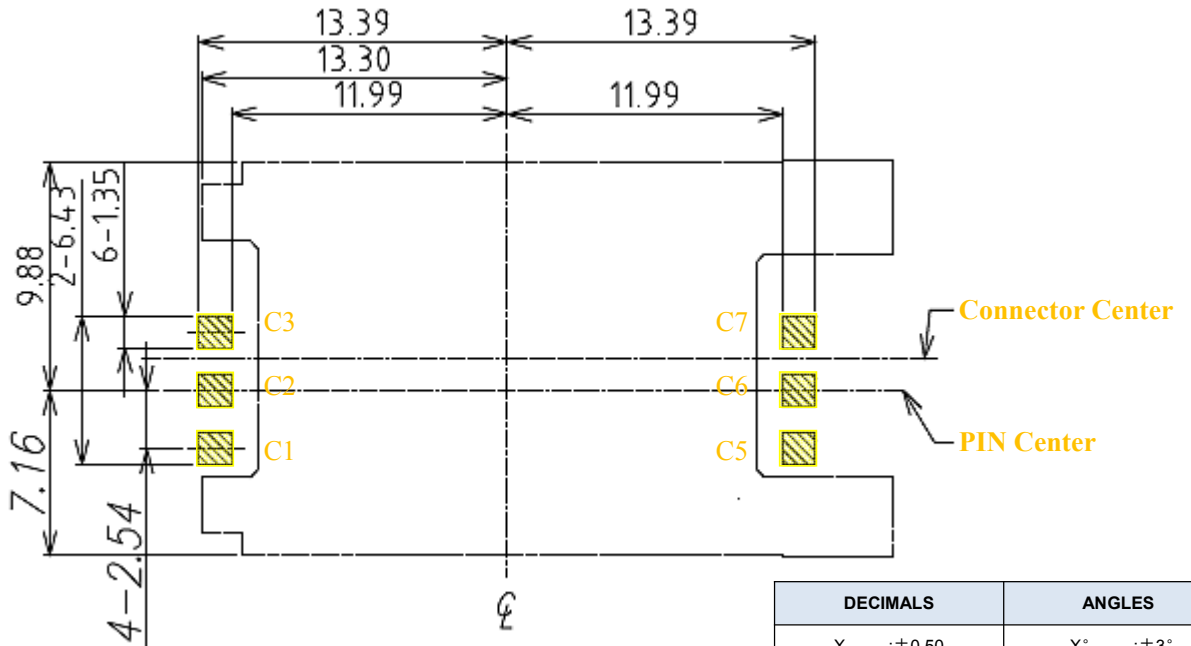


Operating Force

Inward 5.0~6.5N. (1N.=100gram-force)  
 Exiting 5.0~6.5N. (1N.=100gram-force)

Solder-ability (Max.)

IR Reflow: 250°C, 5sec. Manual: 350°C, 3sec.

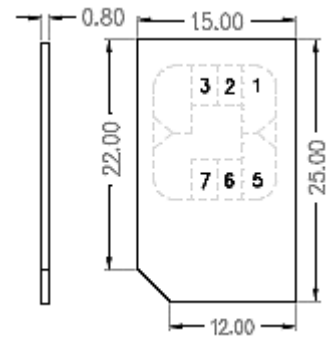


DECIMALS		ANGLES	
X	:±0.50	X°	:±3°
X.X	:±0.35	X.X°	:±1°
X.XX	:±0.25	X.XX°	:±0.5°

Pin definition

T-Flash CARD

Pin No.	Pin NAME	Type	Description
C ①	卡電源	1	VCC
C ②	復位	1	RST
C ③	時鐘	1	CLK
C ⑤	接地	1	GND
C ⑥	Vpp	1	VPP
C ⑦	輸入/輸出	1	I/O



SIM CARD



本品不屬於危害性廢棄物,須丟棄時可以委託回收商予以回收再生處理。Products do not belong to hazardous waste, When waste can recycling processing

運送時本產品不要直接與水、酸鹼性化學物質接觸,或放置於含有以上氣體環境中,並且需要注意會有滑落、側翻的危險發生; 運輸過程中不能有碰撞或者擠壓,須保證溫度與濕度適中 [常溫 25°C, 濕度在 50°C 以內], 不可導致材料變形或氧化。

注記 NOTICE

1. 碩方公司擁有最終解釋權; The SOFNG company reserves the right of final interpretation;
2. 文件禁止外洩、轉載; Leaked and reproduced prohibited;
3. 未經授權修改無效。Modify is invalid.

单击下面可查看定价，库存，交付和生命周期等信息

[>>SOFNG\(硕方\)](#)