

THIS DRAWING IS UNPUBLISHED.

RELEASED FOR PUBLICATION

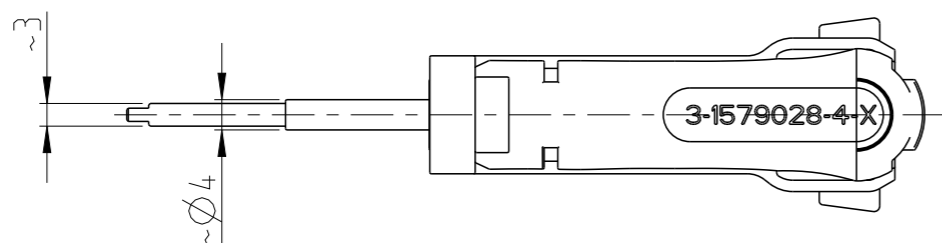
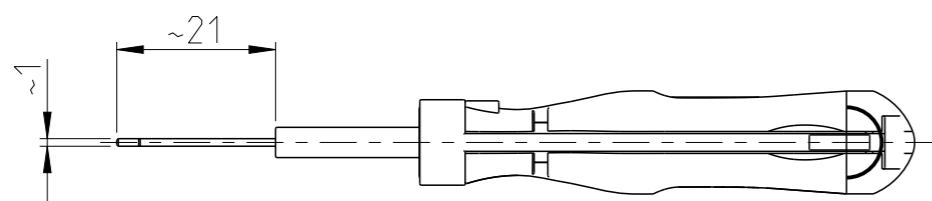
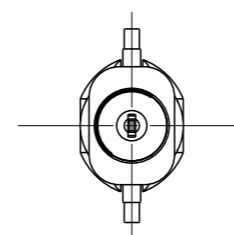
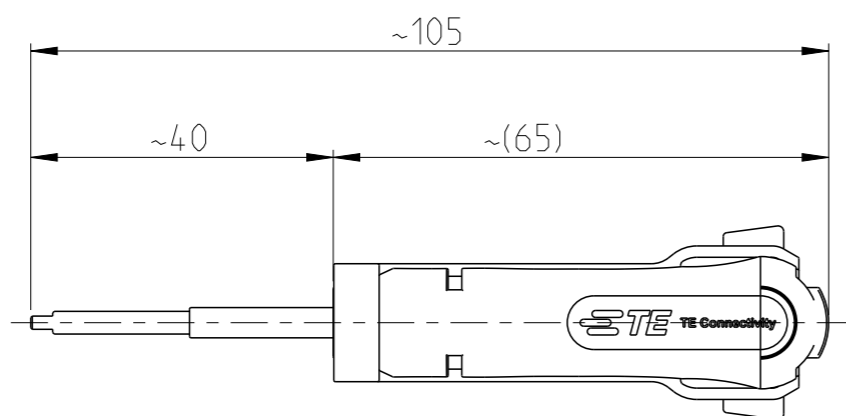
20

© COPYRIGHT 20 BY -

ALL RIGHTS RESERVED.

REVISIONS

P	LTR	DESCRIPTION	DATE	DWN	APVD
	A	INITIAL RELEASE	27JAN2017	KH	GS



Anwendungsbereich / Application range

Housing: 1-1703494-1, 1-1703494-2

Application-Spec: 114-18910-1

THIS DRAWING IS A CONTROLLED DOCUMENT.

DWN K. Holal 27JAN2017

CHK R. Germann 27JAN2017

APVD G. Stegmayer 27JAN2017

PRODUCT SPEC

APPLICATION SPEC

WEIGHT -

CUSTOMER DRAWING

DIMENSIONS:

mm



TOLERANCES UNLESS OTHERWISE SPECIFIED:

- 0 PLC ±
- 1 PLC ±
- 2 PLC ±
- 3 PLC ±
- 4 PLC ±
- ANGLES ±
- FINISH -

MATERIAL -

-



TE Connectivity

NAME TOOL SECONDARY LOCK  
Werkzeug zweite Sicherung

SIZE A3 CAGE CODE 00779 DRAWING NO. C-3-1579028-4 RESTRICTED TO -

SCALE 1:1 SHEET 1 OF 1 REV A

单击下面可查看定价，库存，交付和生命周期等信息

[>>TE Connectivity\(泰科\)](#)