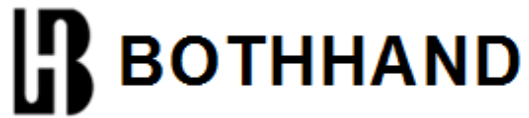


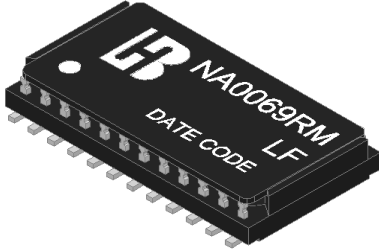
NA0069RM LF

SMD 1000 BASE-T Single Port PC CARD

Discrete LAN Magnetics



Feature

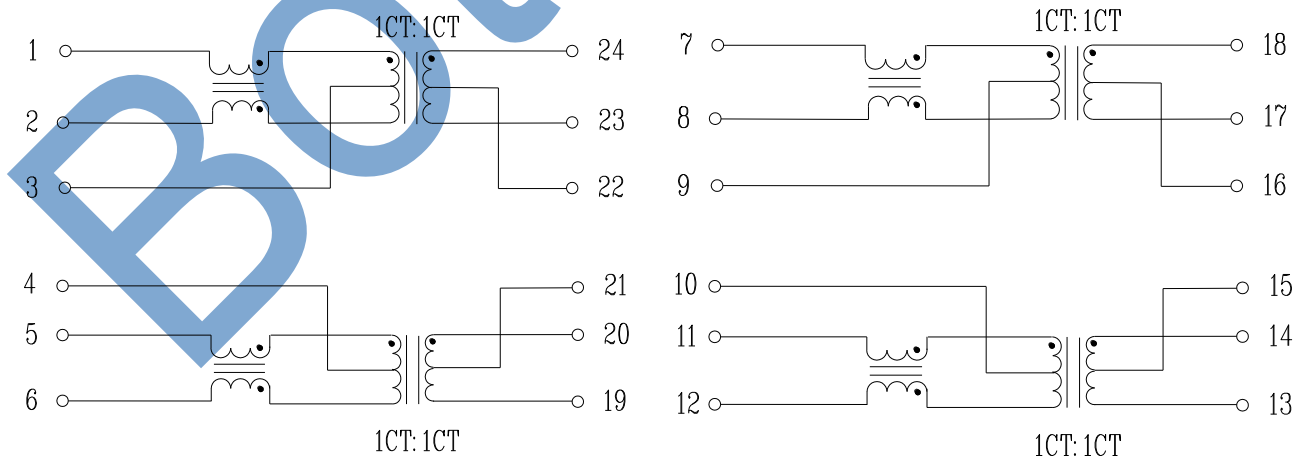


- Half port and single port designs for maximum layout flexibility.
- Complying with IEEE 802.3ab standard for 1000 BASE-T.
- Complying with ROHS & Halogen Free requirements.
- Operating temperature range: -40°C to +85°C.
- Storage temperature range: -40°C to +85°C.

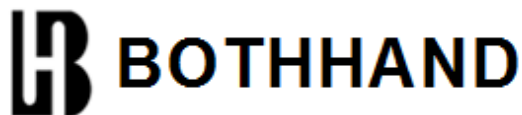
Electrical Specifications @ 25°C							
Part Number	Turns Ratio (±3%)		OCL (uH Min) @100KHz/0.1V	L.L (uH Max)	Cw/w (pF Max)	DCR (Ω Max)	HI-POT
	TX	RX					
NA0069RM LF	1CT:1CT	1CT:1CT	350	0.4	25	1.0	AC1500V/1mA

Continue									
Part Number	Insertion Loss (dB Max)	Return Loss (dB Min)					Cross talk (dB Min)	DCMR (dB Min)	
		1-100MHz	1-30MHz	40MHz	50MHz	60-80MHz		100MHz	1-100MHz
NA0069RM LF	-1.0	-18	-16	-14.08	-12.5	-10	-38	-35	-33

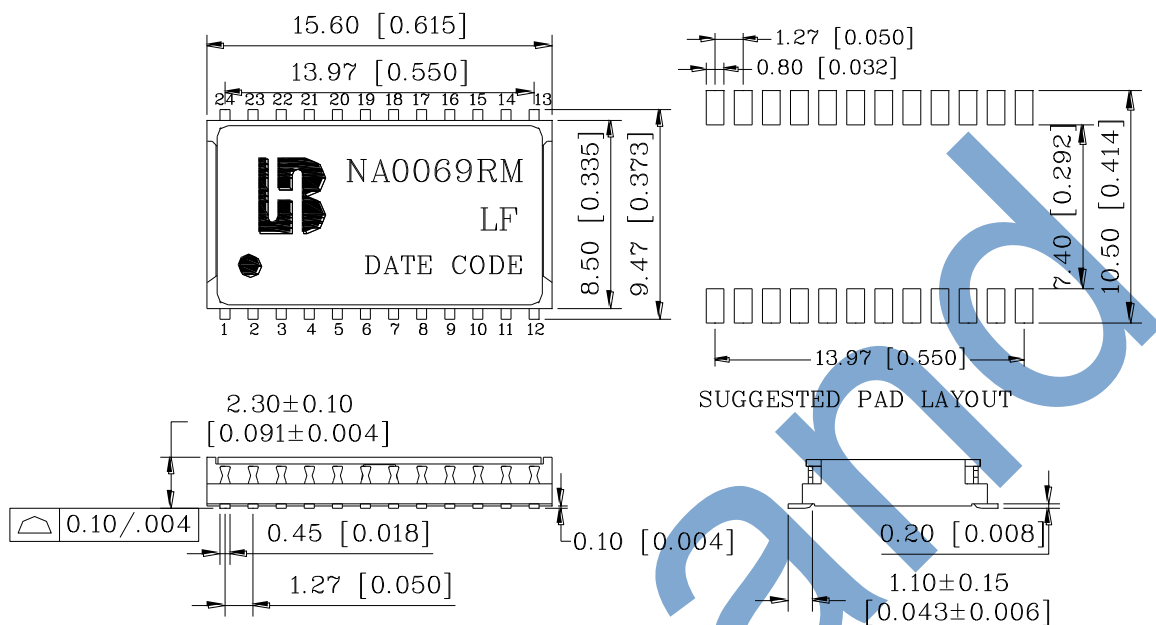
Schematic



NA0069RM LF
SMD 1000 BASE-T Single Port PC CARD
Discrete LAN Magnetics

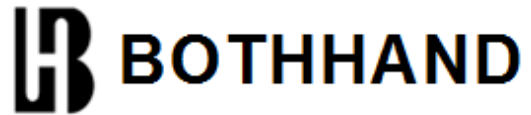


Mechanical

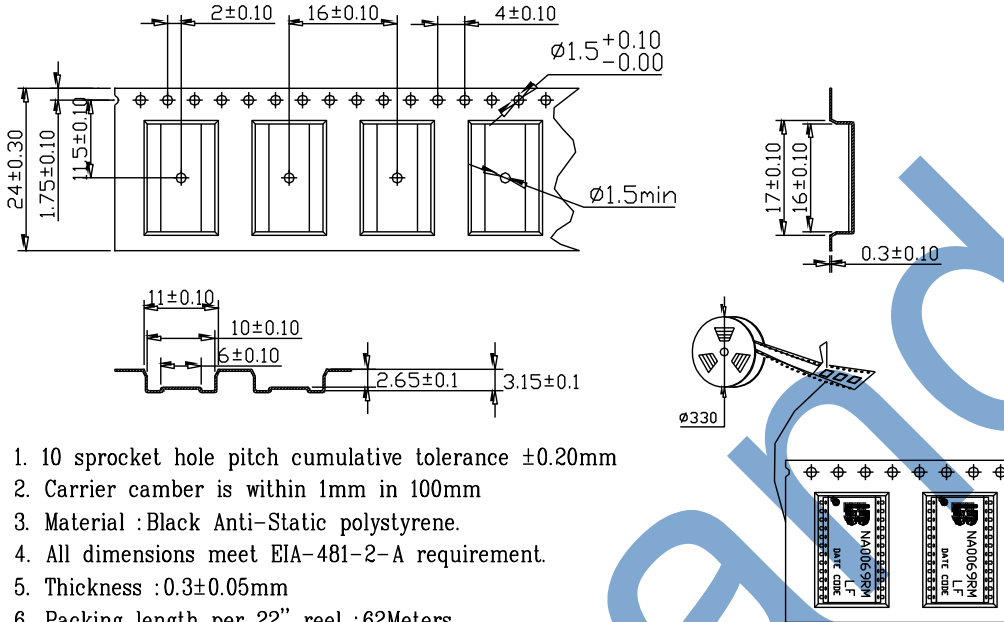


Units: mm[Inches] Tolerances : xx.xx±0.25[0.010]
 0.xx±0.05[0.002]

NA0069RM LF
SMD 1000 BASE-T Single Port PC CARD
Discrete LAN Magnetics

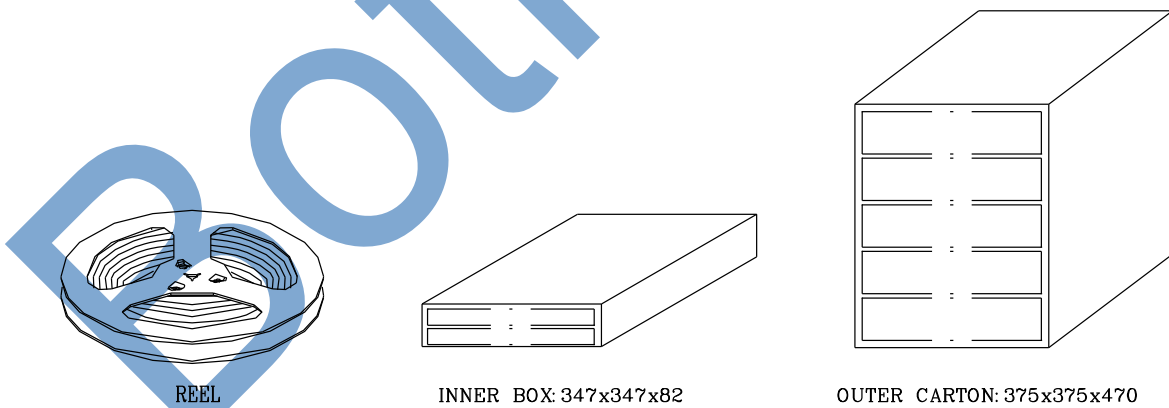


REEL PACKAGE



1. 10 sprocket hole pitch cumulative tolerance ± 0.20 mm
2. Carrier camber is within 1mm in 100mm
3. Material :Black Anti-Static polystyrene.
4. All dimensions meet EIA-481-2-A requirement.
5. Thickness : 0.3 ± 0.05 mm
6. Packing length per 22" reel :62Meters.
7. Component load per 13" reel :1200pcs .

CARTON PACKAGE



1. 1 Reel=1200PCS
2. 1 INNER BOX=2 Reel=2400PCS
3. 1 OUTER CARTON=5 INNER BOX=5x2400=12000PCS

单击下面可查看定价，库存，交付和生命周期等信息

[>>Bothhand\(帛汉\(帛漠\)\)](#)