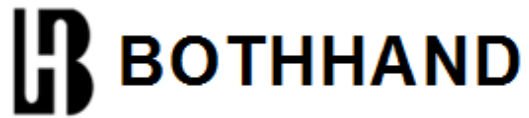
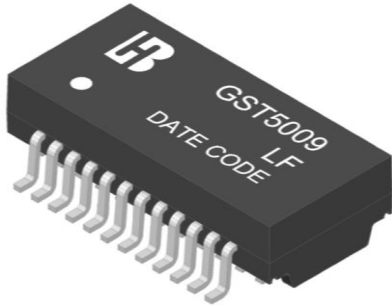


**GST5009 LF**  
**SMD 1000 BASE-T Single Port Discrete**  
**LAN Magnetics**



**Feature**



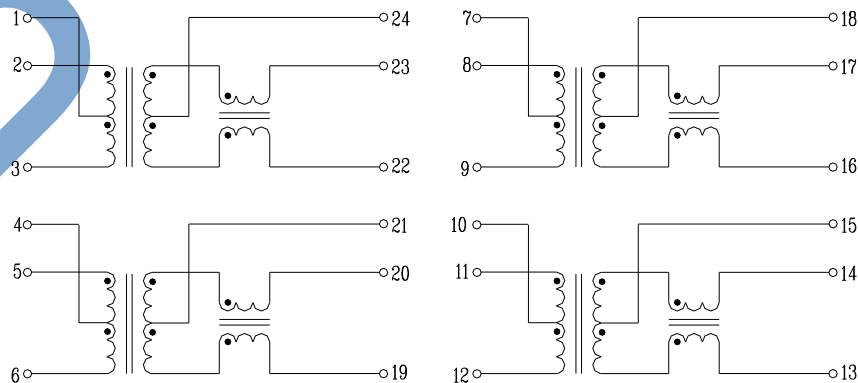
- Designed for Ethernet 100/1000 BASE-T, full duplex applications.
- IEEE 802.3ab complying performance.
- Cable interface for isolation and low common mode emissions.
- Complying with ROHS & Halogen Free requirements.
- Operating temperature range: 0°C to +70°C.
- Storage temperature range: -25°C to +85°C.

Electrical Specifications @ 25°C							
Part Number	Turns Ratio (±5%)		OCL (uH Min) @100KHz/0.1V with 8mA DC Bias	L.L (uH Max)	C <sub>ww</sub> (pF Max)	DCR (Ω Max)	HI-POT
	TX	RX					
GST5009 LF	1CT:1CT	1CT:1CT	350	0.5	28	1.2	AC1500V/1mA

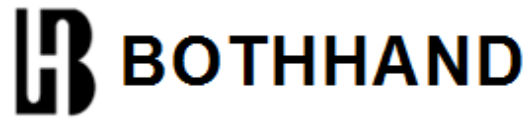
Continue						
Part Number	Insertion Loss (dB Max)	Return Loss (dB Min) @ Load 100Ω				
		1-100MHz	1-30MHz	40MHz	50MHz	60-80MHz
GST5009 LF	-1.0	-18	-16	-14.08	-12.5	-10

Continue						
Part Number	Cross talk (dB Min)			DCMR (dB Min)		
	30MHz	60MHz	100MHz	30MHz	60MHz	100MHz
GST5009 LF	-45	-40	-35	-40	-35	-30

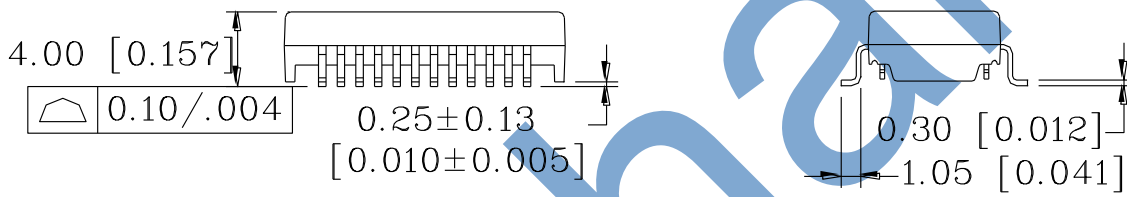
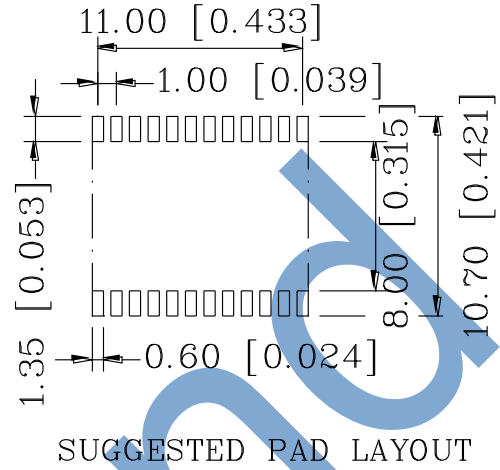
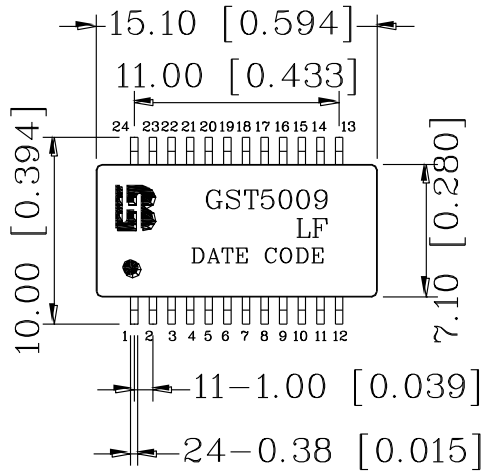
**Schematic**



**GST5009 LF**  
**SMD 1000 BASE-T Single Port Discrete**  
**LAN Magnetics**

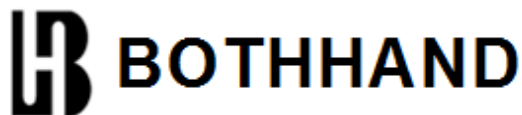


**Mechanical**

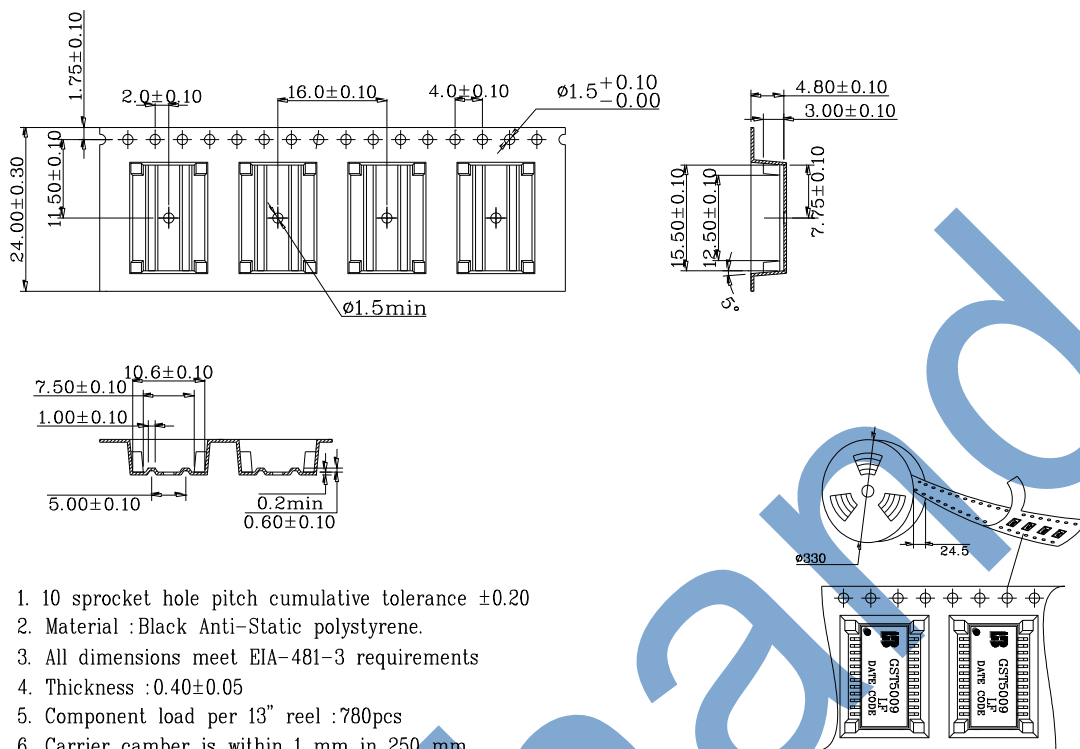


Units: mm [Inches] Tolerances: xx.xx ± 0.25 [0.010]  
 0.xx ± 0.05 [0.002]

**GST5009 LF**  
**SMD 1000 BASE-T Single Port Discrete**  
**LAN Magnetics**

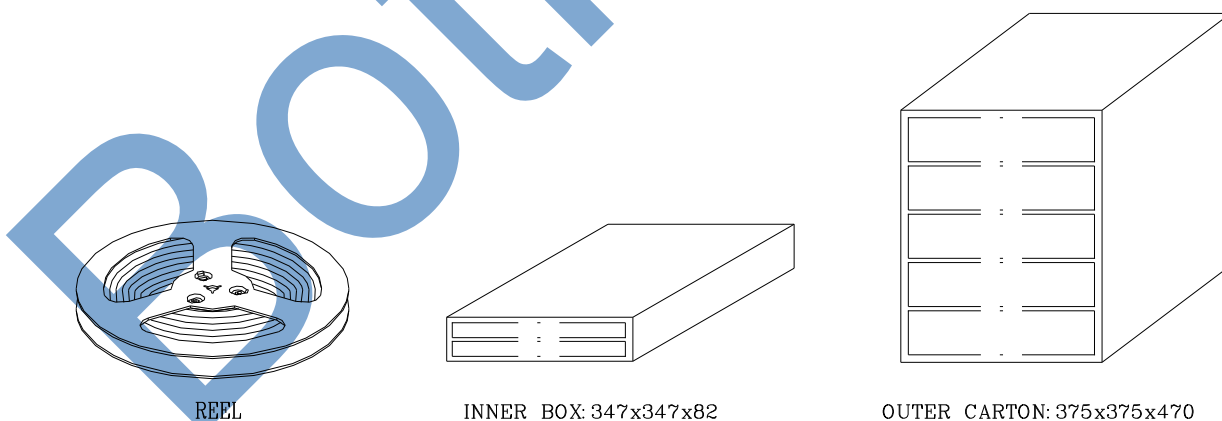


**REEL PACKAGE**



1. 10 sprocket hole pitch cumulative tolerance  $\pm 0.20$
2. Material :Black Anti-Static polystyrene.
3. All dimensions meet EIA-481-3 requirements
4. Thickness :0.40±0.05
5. Component load per 13" reel :780pcs
6. Carrier camber is within 1 mm in 250 mm
7. Packing length per 22" reel : 41.5Meters

**CARTON PACKAGE**



1. 1 Reel=780PCS
2. 1 INNER BOX=2 Reel=1560 PCS
3. 1 OUTER CARTON=5 INNER BOX=5\*1560=7800 PCS

单击下面可查看定价，库存，交付和生命周期等信息

[>>Bothhand\(帛汉\(帛漠\)\)](#)