

APPROVAL SHEET

WA04, WA06

$\pm 1\%$, $\pm 5\%$, Convex Type & Concave Type

General purpose chip resistors array

Size 0402x4, 0603x4 (8p4R)

Size 0602x8 (16p8R)

*Contents in this sheet are subject to change without prior notice.

FEATURE

1. Small size and light weight
2. Reduced size of final equipment
3. Lower surface mounted assembly costs
4. Higher component and equipment reliability
5. RoHS compliant and lead free products.

APPLICATION

- Consumer electrical equipment
- EDP, Computer application
- Telecom

DESCRIPTION

The resistors array is constructed in a high grade ceramic body (aluminum oxide). Internal metal electrodes are added at each end and connected by a resistive paste that is applied to the top surface of the substrate. The composition of the paste is adjusted to give the approximate resistance required and the value is trimmed to within tolerance by laser cutting of this resistive layer.

The resistive layer is covered with a protective coat. Finally, the two external end terminations are added. For ease of soldering the outer layer of these end terminations is Tin (lead free) alloy.

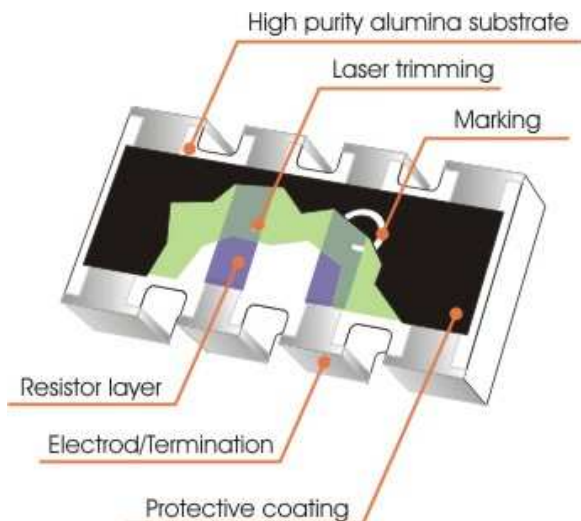


Fig 1. Construction of a Chip-R array (convex Type)



Fig 2. Construction of a Chip-R array (concave Type)

QUICK REFERENCE DATA

| Item | General Specification | | | | | | | | | |
|---|-----------------------|-----------------|--------------------|-----------------|----------------------|-----------------|---------------------|-----------------|-------------------|--|
| | Series No. | WA04X(Convex) | | WA06X(Convex) | | WA06W(Convex) | | WA06T(Concave) | | |
| Size | | 0402x4 (1005x4) | | 0603x4 (1608x4) | | 0602x8 (1605x8) | | 0603x4 (1608x4) | | |
| Resistance Tolerance | | ±1% | ±5% | ±1% | ±5% | ±1% | ±5% | ±1% | ±5% | |
| Resistance Range | | 10Ω ~ 1MΩ | 1Ω ~ 1MΩ Jumper | 10Ω ~ 1MΩ | 1Ω ~ 10MΩ Jumper, | 10Ω ~ 100KΩ, | 10Ω ~ 100KΩ Jumper, | 10Ω ~ 1MΩ, | 10Ω ~ 1MΩ, Jumper | |
| TCR (ppm/°C) 10Ω ≤ R ≤ 1MΩ R < 10Ω, R > 1MΩ | | ≤ ± 200 - | ≤ ± 200 ≤ ± 250 | ≤ ± 100 - | ≤ ± 200 -300~+500 | ≤ ± 200 - | ≤ ± 200 - | ≤ ± 200 - | ≤ ± 200 - | |
| Max. dissipation at T _{amb} =70°C | | 1/16 W | | 1/10 W | | 1/16 W | | 1/10 W | | |
| Max. Operation Voltage (DC or RMS) | | 50V | | 50V | | 50V | | 50V | | |
| Max. overload voltage | | 100V | | 100V | | 100V | | 100V | | |
| Climatic category | | 55/155/56 | | | | 55/155/56 | | 55/155/56 | | |

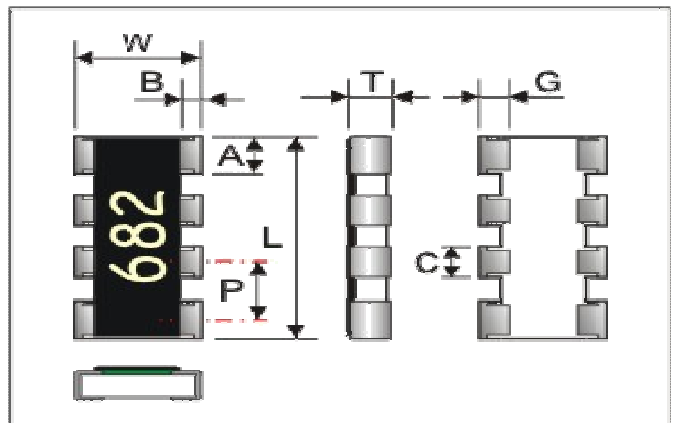
Note :

- Climatic category refer to IEC 60068
- This is the maximum voltage that may be continuously supplied to the resistor element, see "IEC publication 60115-8"
- Max. Operation Voltage : So called RCWV (Rated Continuous Working Voltage) is determined by

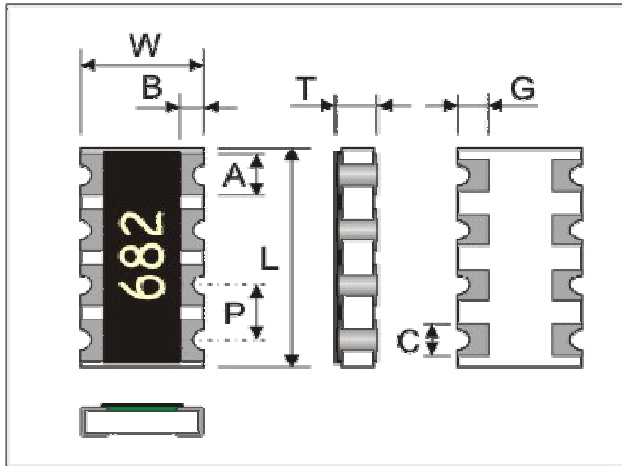
$$RCWV = \sqrt{\text{Rated Power} \times \text{Resistance Value}} \text{ or Max. RCWV listed above, whichever is lower.}$$

DIMENSIONS (unit : mm)

| | WA04X | WA06X |
|---|-------------|-------------|
| L | 2.00 ± 0.10 | 3.20 ± 0.10 |
| W | 1.00 ± 0.10 | 1.60 ± 0.10 |
| T | 0.45 ± 0.10 | 0.50 ± 0.10 |
| P | 0.50 ± 0.05 | 0.80 ± 0.10 |
| A | 0.40 ± 0.10 | 0.60 ± 0.10 |
| B | 0.20 ± 0.10 | 0.30 ± 0.10 |
| C | 0.30 ± 0.05 | 0.40 ± 0.10 |
| G | 0.25 ± 0.10 | 0.30 ± 0.20 |



| | WA06W |
|----|-------------|
| L | 4.00 ± 0.20 |
| W | 1.60 ± 0.15 |
| T | 0.45 ± 0.10 |
| B | 0.30 ± 0.20 |
| G | 0.30 ± 0.20 |
| D | 0.20 ± 0.10 |
| P | 0.50 ± 0.20 |
| H1 | 0.40 ± 0.20 |
| H2 | 0.30 ± 0.10 |



| | WA06T |
|---|-----------------|
| L | 3.20+0.20/-0.10 |
| W | 1.60+0.20/-0.10 |
| T | 0.60 ± 0.10 |
| P | 0.80 ± 0.10 |
| A | 0.60 ± 0.15 |
| B | 0.35 ± 0.15 |
| C | 0.50 ± 0.15 |
| G | 0.50 ± 0.15 |

MARKING

3-digits marking for E24 series 1% ,5% products

Each resistor is marked with a three digits code on the protective coating to designate the nominal resistance value. For values up to 9.1 the R is used as a decimal point. For values of 10.0 or greater the first 2 digits apply to the resistance value and third indicate the number of zeros to follow.

Example

| | | | | | |
|-------------------------|------|-----|------|-------|--------|
| RESISTANCE | 4.7Ω | 10Ω | 100Ω | 6800Ω | 47000Ω |
| 3-digits marking | 4R7 | 100 | 101 | 682 | 473 |

FUNCTIONAL DESCRIPTION

Product characterization

Standard values of nominal resistance are taken from the E24 series for resistors with a tolerance of $\pm 5\%$, The values of the E24 series are in accordance with "IEC publication 60063"

Standard values of nominal resistance are taken from the E24/E96 series for resistors with a tolerance of $\pm 1\%$, The values of the E24/E96 series are in accordance with "IEC publication 60063"

Derating

The power that the resistor can dissipate depends on the operating temperature; see Fig.3.



Figure 3 Maximum dissipation in percentage of rated power as a function of the ambient temperature

CONSTRUCTION



MOUNTING

Due to their rectangular shapes and small tolerances, Surface Mountable Resistors are suitable for handling by automatic placement systems.

Chip placement can be on ceramic substrates and printed-circuit boards (PCBs).

Electrical connection to the circuit is by individual soldering condition.

The end terminations guarantee a reliable contact.

SOLDERING CONDITION

The robust construction of chip resistors allows them to be completely immersed in a solder bath of 260°C for 10 seconds. Therefore, it is possible to mount Surface Mount Resistors on one side of a PCB and other discrete components on the reverse (mixed PCBs).

Surface Mount Resistors are tested for solderability at 235°C during 2 seconds. The test condition for no leaching is 260°C for 30 seconds. Typical examples of soldering processes that provide reliable joints without any damage are given in Fig 4.



Fig 4. Infrared soldering profile for Chip Resistors array

TEST AND REQUIREMENTS(JIS C 5201-1 : 1998)

Essentially all tests are carried out according to the schedule of IEC publication 115-8, category **LCT/UCT/56**(rated temperature range : **Lower Category Temperature, Upper Category Temperature**; damp heat, long term, 56 days). The testing also meets the requirements specified by EIA, EIAJ and JIS.

The tests are carried out in accordance with IEC publication 68, "Recommended basic climatic and mechanical robustness testing procedure for electronic components" and under standard atmospheric conditions according to IEC 60068-1, subclause 5.3. Unless otherwise specified, the following value supplied :

Temperature: 15°C to 35°C.

Relative humidity: 45% to 75%.

Air pressure: 86kPa to 106 kPa (860 mbar to 1060 mbar).

All soldering tests are performed with mildly activated flux.

| TEST | PROCEDURE | REQUIREMENT | |
|--|---|---|--------|
| | | Resistor | Jumper |
| DC resistance Clause 4.5 | DC resistance values measured at the test voltages specified below : <10Ω@0.1V,<100Ω@0.3V,<1KΩ@1.0V,<10KΩ@3V, <100KΩ@10V, <1MΩ@25V, <10MΩ@30V | Within the specified tolerance | < 50mΩ |
| Temperature Coefficient of Resistance (T.C.R) Clause 4.8 | Natural resistance change per change in degree centigrade. $\frac{R_2 - R_1}{R_1(t_2 - t_1)} \times 10^6 \text{ (ppm/°C)} \quad t_1 : 20^\circ\text{C}+5^\circ\text{C}-1^\circ\text{C}$ R ₁ : Resistance at reference temperature R ₂ : Resistance at test temperature | Refer to "QUICK REFERENCE DATA" | N/a |
| Short time overload (S.T.O.L) Clause 4.13 | Permanent resistance change after a 5second application of a voltage 2.5 times RCWV or the maximum overload voltage specified in the above list, whichever is less. | ΔR/R max. ±(2%+0.10Ω) | < 50mΩ |
| Resistance to soldering heat(R.S.H) Clause 4.18 | Un-mounted chips completely immersed for 10±1second in a SAC solder bath at 260°C±5°C | Δ R/R max. ±(1%+0.05Ω) no visible damage | < 50mΩ |
| Solderability Clause 4.17 | Un-mounted chips completely immersed for 2±0.5 second in a SAC solder bath at 235°C±5°C | good tinning (>95% covered) no visible damage | |
| Temperature cycling Clause 4.19 | 30 minutes at -55°C±3°C, 2~3 minutes at 20°C+5°C-1°C, 30 minutes at +155°C±3°C, 2~3 minutes at 20°C+5°C-1°C, total 5 continuous cycles | Δ R/R max. ±(1%+0.05Ω) no visible damage | < 50mΩ |
| Load life (endurance) Clause 4.25 | 1000 +48/-0 hours, loaded with RCWV or Vmax in chamber controller 70±2°C, 1.5 hours on and 0.5 hours off | Δ R/R max.±(3%+0.10Ω) For 10Ω≤R<1MΩ ; Δ R/R max.±(5%+0.10Ω) For R<10Ω, R≥1MΩ | < 50mΩ |
| Load life in Humidity Clause 4.24 | 1000 +48/-0 hours, loaded with RCWV or Vmax in humidity chamber controller at 40°C±2°C and 90~95% relative humidity, 1.5hours on and 0.5 hours off | Δ R/R max.±(3%+0.10Ω) For 10Ω≤R<1MΩ ; Δ R/R max.±(5%+0.10Ω) For R<10Ω, R≥1MΩ | < 50mΩ |
| Adhesion Clause 4.32 | Pressurizing force: 5N, Test time: 10±1sec. | No remarkable damage or removal of the terminations. | |
| Insulation Resistance Clause 4.6 | Apply the maximum overload voltage (DC) for 1minute | R ≥ 10G Ω | |
| Dielectric Withstand Voltage Clause 4.7 | Apply the maximum overload voltage (AC) for 1 minute | No breakdown or flashover | |

TEST CONDITION FOR JUMPER (0 Ω)

| Item | WA04Y | WA04X | WA06X | WA06W | WA06T |
|-----------------------|-----------|-----------|-----------|-----------|-----------|
| Power Rating At 70°C | 1/16W | 1/16W | 1/10W | 1/16W | 1/10W |
| Resistance | MAX.50mΩ | MAX.50mΩ | MAX.50mΩ | MAX.50mΩ | MAX.50mΩ |
| Rated Current | 1A | 1A | 1A | 2A | 1A |
| Peak Current | 1.5A | 1.5A | 3A | 3A | 3A |
| Operating Temperature | -55~155°C | -55~155°C | -55~155°C | -55~155°C | -55~155°C |

CATALOGUE NUMBERS

The resistors have a catalogue number starting with .

| WA | X | XXXX | X | X | L |
|--|---|---|---|--|--|
| Size code 06: 0603 (1608) 04:0402(1005) | Type code X : x 4, Convex W :x 8, Convex T : x 4, Concave | Resistance code 5% E24 : 2 significant digits followed by no. of zeros and a blank 4.7Ω =4R7_ 10Ω =100_ 220Ω =221_ Jumper =000_ ("_" means a blank) 1%, E24+E96 : 3 significant digits followed by no. of zeros 100Ω =1000 37.4KΩ =3742 | Tolerance F: ±1% J : ±5% P : Jumper | Packaging code T : 7" Reel taping B : Bulk G : 13" Reel taping | Termination code L = Sn base (lead free) |

WA06X, WA06T

1. Reeled tape packaging : 8mm width paper taping 5000pcs per 7" reel; 20,000pcs per 13" reel.
2. Bulk packaging : 5000pcs per polybag

WA06W

1. Reeled tape packaging : 12mm width paper taping 5000pcs per 7" reel.
2. Bulk packaging : 5000pcs per polybag

WA04X,

1. Reeled tape packaging : 8mm width paper taping 10,000pcs per 7" reel; 40,000pcs per 13" reel.

PACKAGING

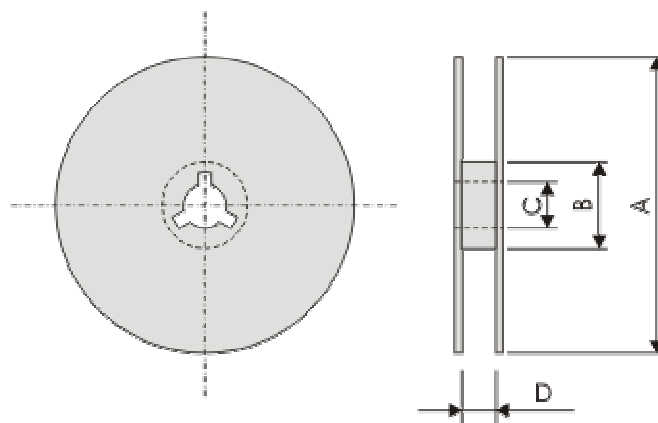
Paper Tape specifications (unit :mm)



| Symbol | A | B | W | F | E |
|-------------|--------------------------------------|---------------------------------------|------------|-----------|-----------|
| WA06X,WA06T | 3.60±0.20 | 2.00±0.20 | 8.00±0.30 | 3.50±0.20 | 1.75±0.10 |
| WA04X | 2.20±0.20 | 1.20±0.20 | | | |
| WA06W | 4.20 ^{+0.2} _{-0.0} | 1.80 ^{+0.12} _{-0.0} | 12.00±0.10 | 5.50±0.05 | 1.75±0.10 |

| Symbol | P1 | P0 | ΦD | T |
|-------------|-----------|-----------|---------------------------------------|-----------|
| WA06X,WA06T | 4.00±0.10 | 4.00±0.10 | Φ1.50 ^{+0.1} _{-0.0} | Max. 1.0 |
| WA04X | 2.00±0.05 | | | Max. 0.6 |
| WA06W | 4.00±0.10 | | ∅D1.55±0.05 | 0.80±0.05 |

Reel dimensions



| Symbol | A | B | C | D |
|-------------------|------------|-----------|----------|----------|
| WA06X,WA04X,WA06T | Φ178.0±2.0 | Φ60.0±1.0 | 13.0±0.2 | 9.0±0.5 |
| WA06W | Φ178.0±2.0 | Φ60.0±1.0 | 13.0±0.2 | 12.4±1.0 |

单击下面可查看定价，库存，交付和生命周期等信息

[>>Walsin Technology\(华新科技\(华科\)\)](#)