



N-Channel Super Junction MOSFET, 600V, 3.4Ω

General Description

The VAS60R3K4 Super Junction (SJ) Power MOSFETs is designed to provide best cost-performance switch solution for various application fields, such as consumer and lighting markets. It is available in DPAK, IPAK and SOT223 packages.

Features

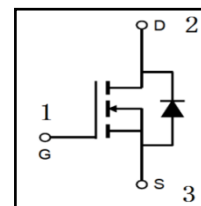
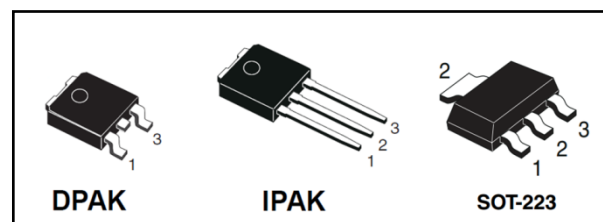
- High Efficiency
- Low Gate Charge
- High Body Diode Ruggedness
- 100% EAS Guaranteed
- Halogen-Free

Application

Adapter, TV, LED Lighting, PFC stages, hard switching PWM stages and resonant switching stages.

Product Summary

$V_{DS}@T_{j,max}$	600 V
$R_{DS(on)}@V_{GS}=10V$	3.4 Ω
I_D Continuous Current	3 A
$V_{(GS)th}$	3.0 V
$Q_{g,typ}$	4.6 nC



Absolute Maximum Ratings

Parameter	Symbol	Value	Unit	Condition
Drain-Source Voltage	V_{DS}	600	V	
Continuous drain current ⁽¹⁾	I_D	3 2	A	$T_C=25^\circ C$ $T_C=100^\circ C$
Gate-Source Voltage	V_{GS}	± 20	V	Static
Pulsed drain current ⁽²⁾	I_{DM}	3.9	A	$T_C=25^\circ C$
Avalanche energy, single pulse	E_{AS}	6	mJ	$I_D=0.3A$; $V_{DD}=50V$; see Figure 13
Avalanche energy, repetitive	E_{AR}	0.04	mJ	$I_D=0.3A$; $V_{DD}=50V$; see Figure 13
Avalanche current, repetitive	I_{AR}	0.3	A	
Power dissipation TO-252	$P_{tot,TO}$	29	W	$T_C=25^\circ C$
Power dissipation SOT223	$P_{tot,SOT}$	5	W	$T_C=25^\circ C$
Continuous diode forward current	I_S	1.8	A	$T_C=25^\circ C$
Diode pulse current ⁽²⁾	$I_{S,pulse}$	4	A	$T_C=25^\circ C$

(1) Limited by $T_{j,max}$. Maximum duty cycle $D=0.4$

(2) Pulse width T_p limited by $T_{j,max}$



Thermal characteristics

Symbol	Parameter	Value			Unit
		TO-252	TO-251	SOT223	
$R_{thj-case}$	Thermal resistance, junction-case, max	4.26	4.26	25	°C/W
R_{thJA}	Thermal resistance, junction-ambient, max	62	62	75 ⁽³⁾	°C/W
T_{sold}	Soldering temperature, max	260	260	260	°C

(3) Device on 40mm*40mm*1.5mm epoxy PCB FR4 with 6cm² (one layer, 70µm thickness) copper area for drain connection and cooling. PCB is vertical without air stream cooling.

Package and Ordering Information

Device	Package	Marking
VAS60R3K4D	TO-252	VAS60R3K4D
VAS60R3K4I	TO-251	VAS60R3K4I
VAS60R3K4S	SOT223	VAS60R3K4S



Electrical Characteristics ($T_j=25^{\circ}\text{C}$, unless otherwise specified)

Parameter	Symbol	Min	Typ	Max	Unit	Test Condition
Static Characteristic						
Drain-Source breakdown Voltage	$V_{(BR)DSS}$	600			V	$V_{GS}=0\text{V}, I_D=0.25\text{mA}$
Gate Threshold Voltage	$V_{(GS)th}$	2.5	3.0	3.5	V	$V_{DS}=V_{GS}, I_D=0.06\text{mA}$
Drain-Source on resistance	$R_{(DS)on}$		3.17	3.4	Ω	$V_{GS}=10\text{V}, I_D=0.76\text{A}, T_j=25^{\circ}\text{C}$
			8.22		Ω	$V_{GS}=10\text{V}, I_D=0.76\text{A}, T_j=150^{\circ}\text{C}$
Zero gate voltage drain current	I_{DSS}			1	μA	$V_{DS}=600\text{V}, V_{GS}=0\text{V}, T_j=25^{\circ}\text{C}$
			10		μA	$V_{DS}=600\text{V}, V_{GS}=0\text{V}, T_j=150^{\circ}\text{C}$
Gate-Source leakage current	I_{GSS}			100	nA	$V_{GS}=20\text{V}, V_{DS}=0\text{V}$
Gate resistance	R_g		7.5		Ω	$f=1\text{MHz}$, open drain
Dynamic Characteristic						
Input Capacitance	C_{iss}		94		pF	$V_{GS}=0\text{V}, V_{DS}=100\text{V}, f=1\text{MHz}$
Output Capacitance	C_{oss}		9		pF	$V_{GS}=0\text{V}, V_{DS}=100\text{V}, f=1\text{MHz}$
Turn-on delay time	$T_{d(on)}$		8		nS	$V_{DD}=400\text{V}, V_{GS}=13\text{V}, I_D=0.6\text{A}, R_G=20\Omega$; See Figure 14
Rise time	T_r		10		nS	
Turn-off delay time	$T_{d(off)}$		40		nS	
Fall time	T_f		60		nS	
Gate Charge Characteristic						
Gate to source charge	Q_{gs}		0.5		nC	$V_{DD}=480\text{V}, I_D=0.6\text{A}, V_{GS}=0$ to 10V
Gate to drain charge	Q_{gd}		2.6		nC	
Gate charge total	Q_g		4.6		nC	
Gate plateau voltage	$V_{plateau}$		5.4		V	
Reverse diode characteristic						
Diode forward voltage	V_{FD}		0.9		V	$V_{GS}=0\text{V}, I_F=0.6\text{A}, T_j=25^{\circ}\text{C}$
Reverse recovery time	t_{rr}		160		nS	$V_R=400\text{V}, I_F=0.6\text{A}, dI_F/dt=100\text{A}/\mu\text{S}$
Reverse recovery charge	Q_{rr}		0.42		μC	
Peak reverse recovery current	I_{rrm}		5.1		A	



Electrical Characteristic Diagrams

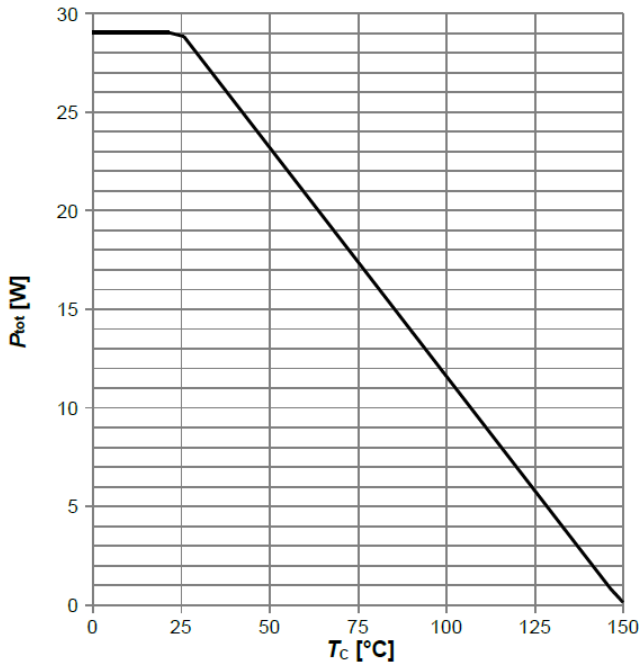


Figure 1 Power Dissipation

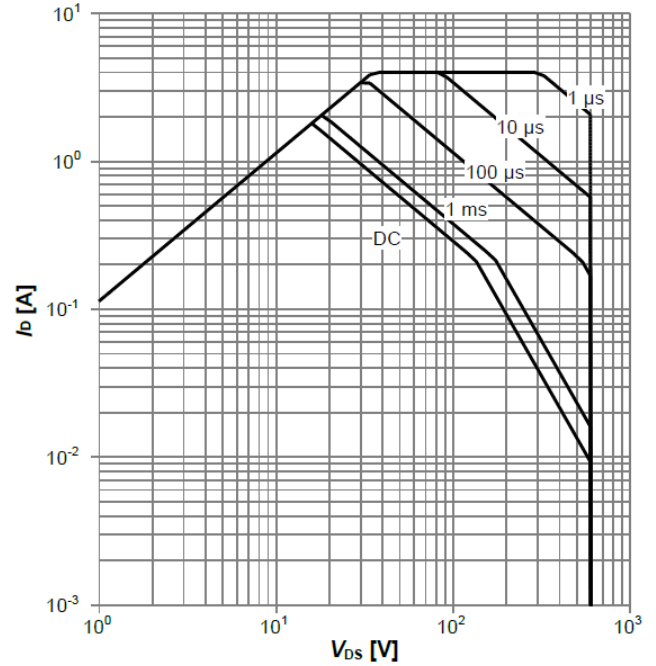


Figure 2 Safe Operation Area @T_c=25 °C

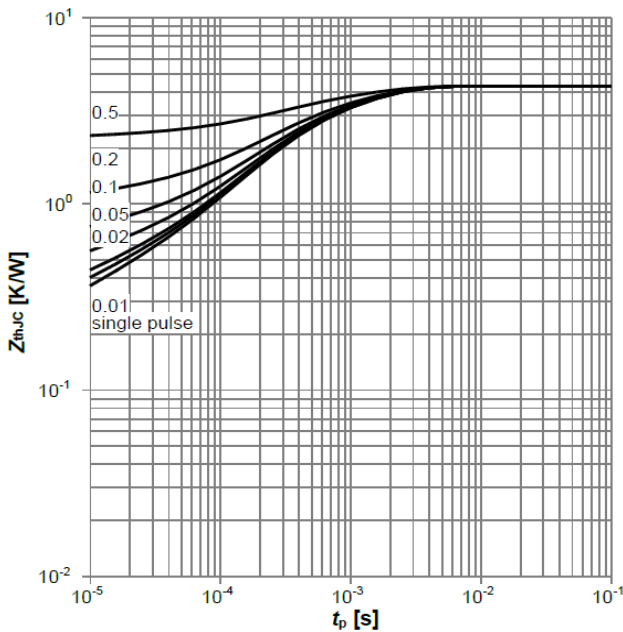


Figure 3 Maximum Transient thermal impedance

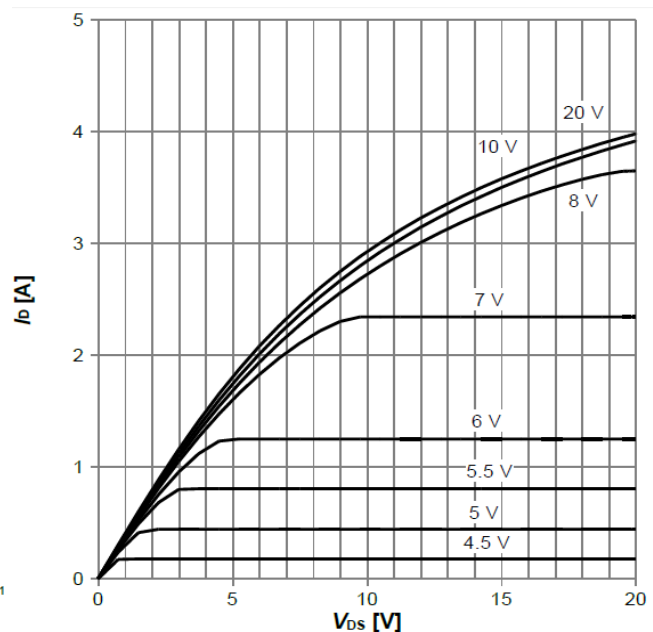


Figure 4 Typical Output Characteristics @T_c=25 °C

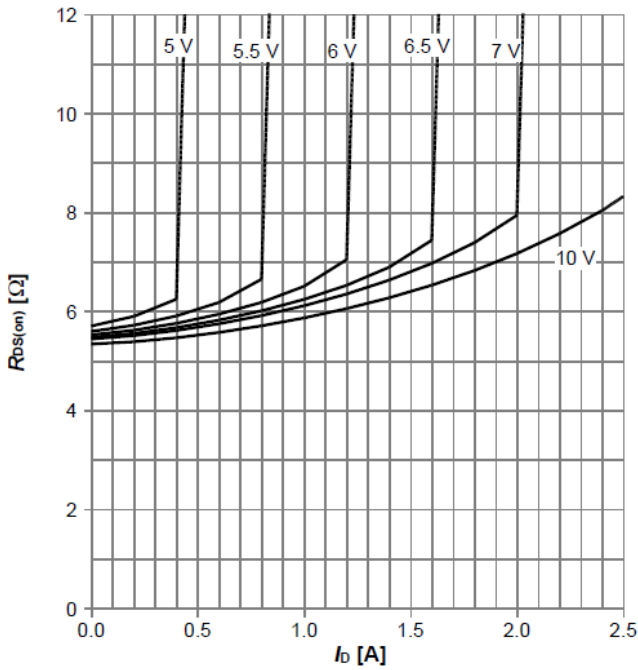


Figure 5 Typical Drain-Source on resistance@ $T_j=125\text{ }^\circ\text{C}$

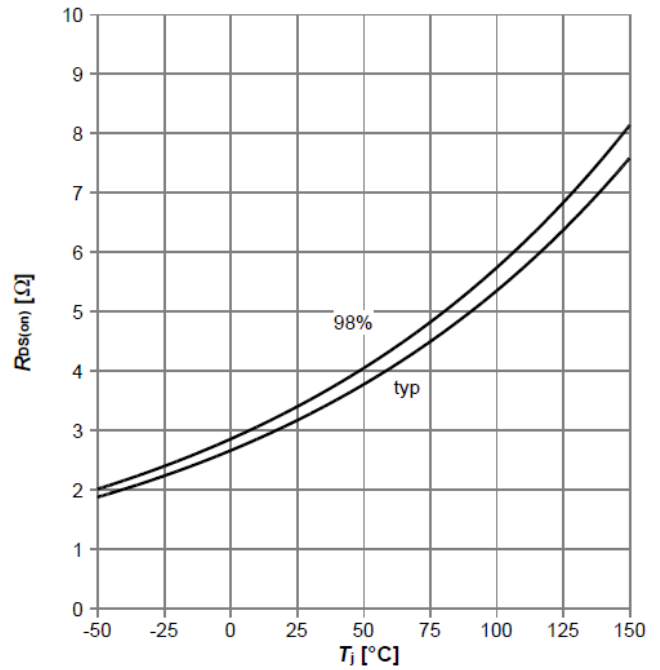


Figure 6 On resistance Temp Characteristic

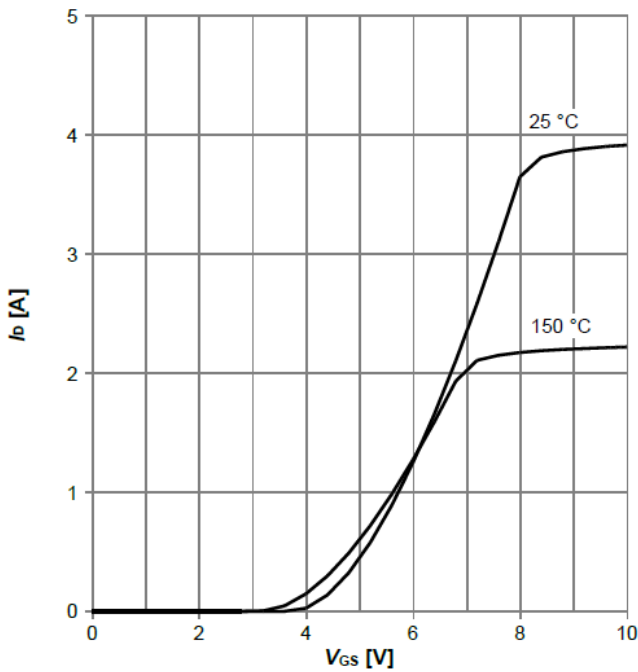


Figure 7 Typical Transfer characteristic@ $V_{DS}=20\text{V}$

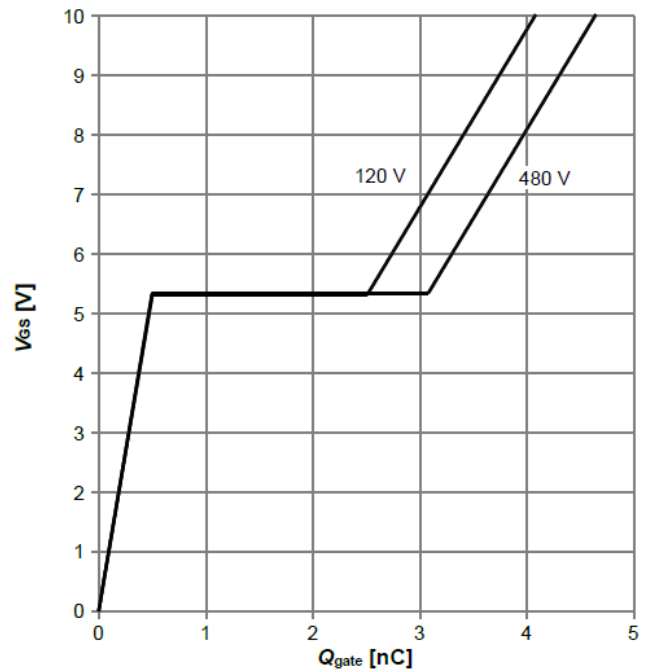


Figure 8 Typical Gate charge plot @ $I_D=0.9\text{A}$

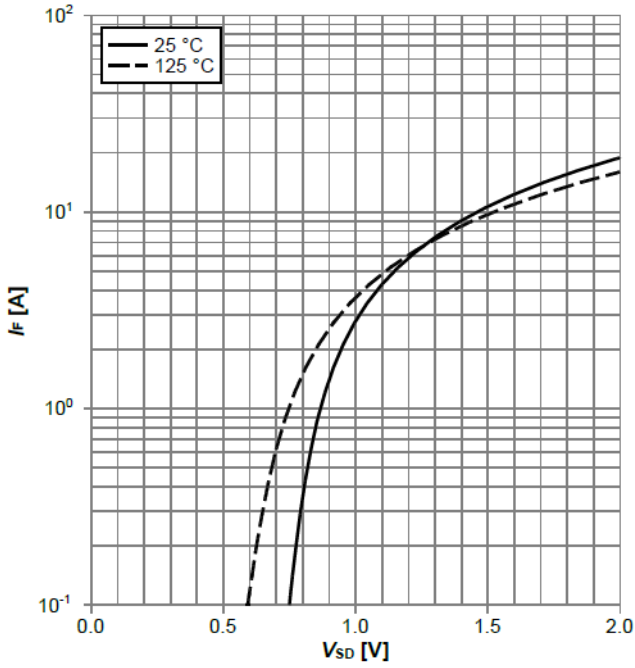


Figure 9 Reverse diode forward characteristic

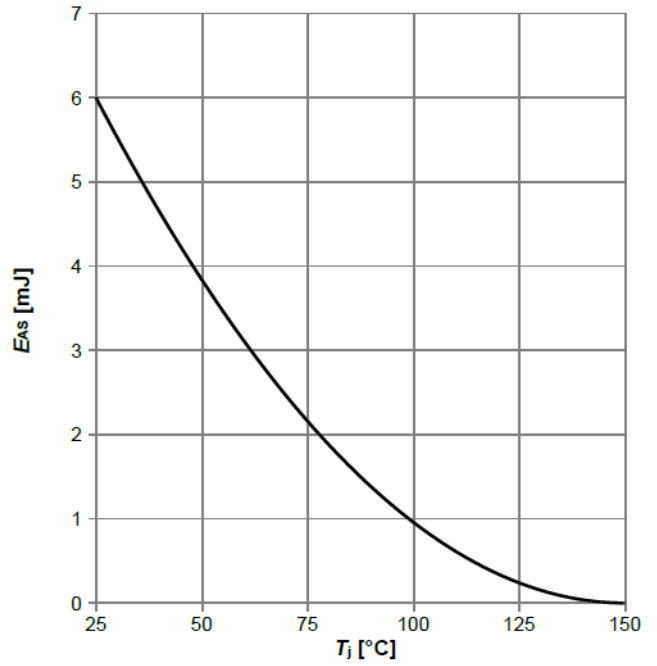


Figure 10 Avalanche Energy @ $V_{DD}=50V$

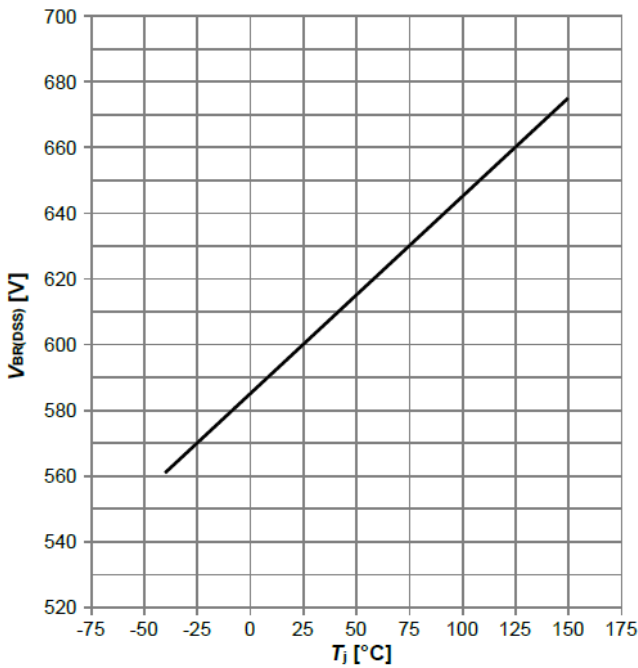


Figure 11 Drain-Source breakdown voltage

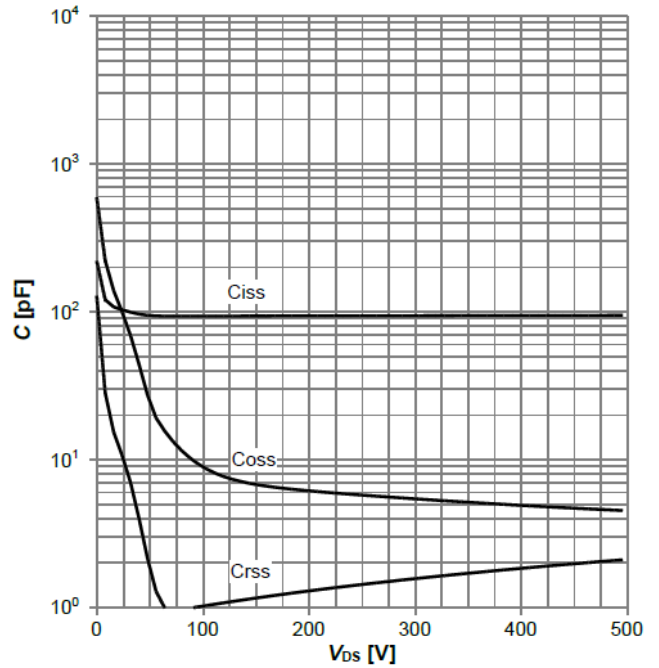


Figure 12 Capacitance characteristics

Parameter Test Circuits

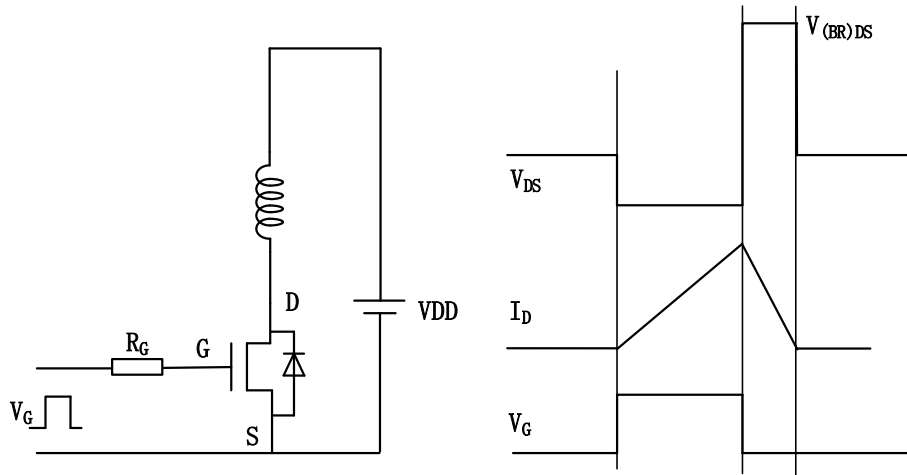


Figure 13 Unclamped Inductive Switching (UIS) Test circuit and waveforms

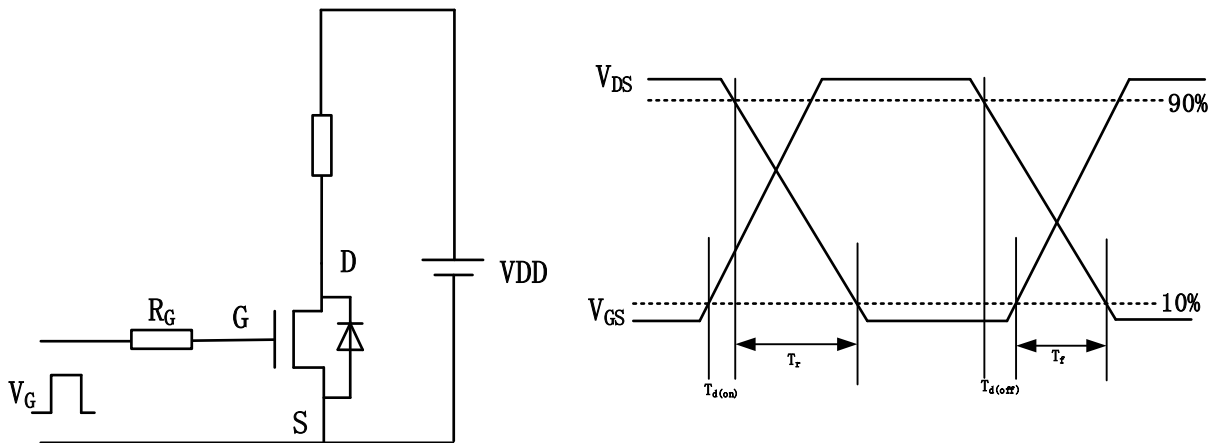


Figure 14 Resistive Switching time Test circuit and waveforms

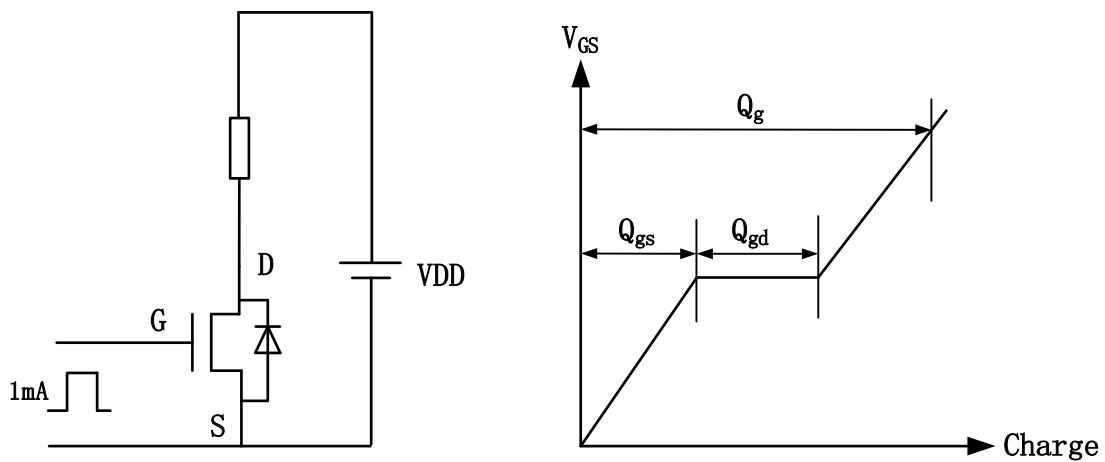
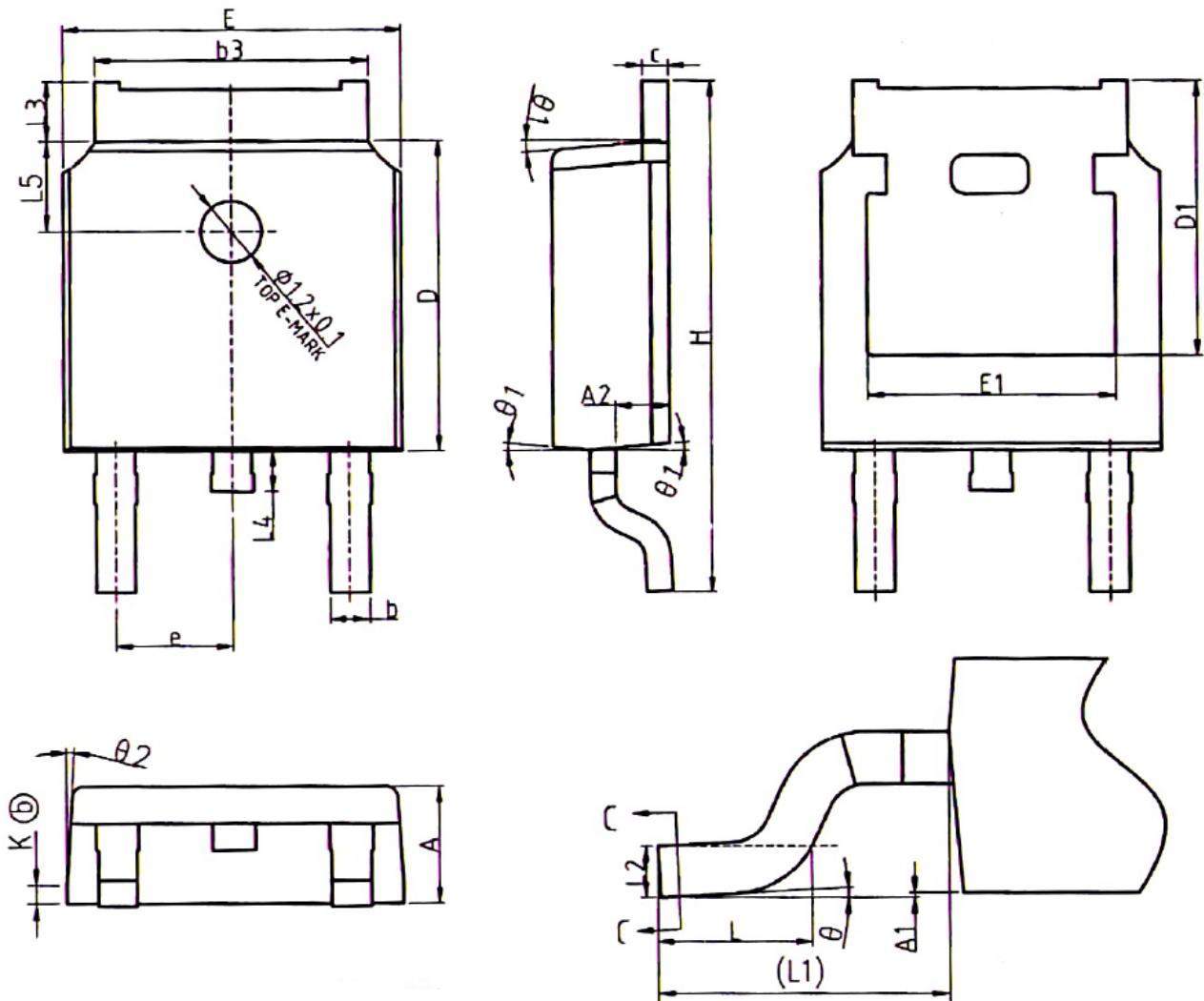


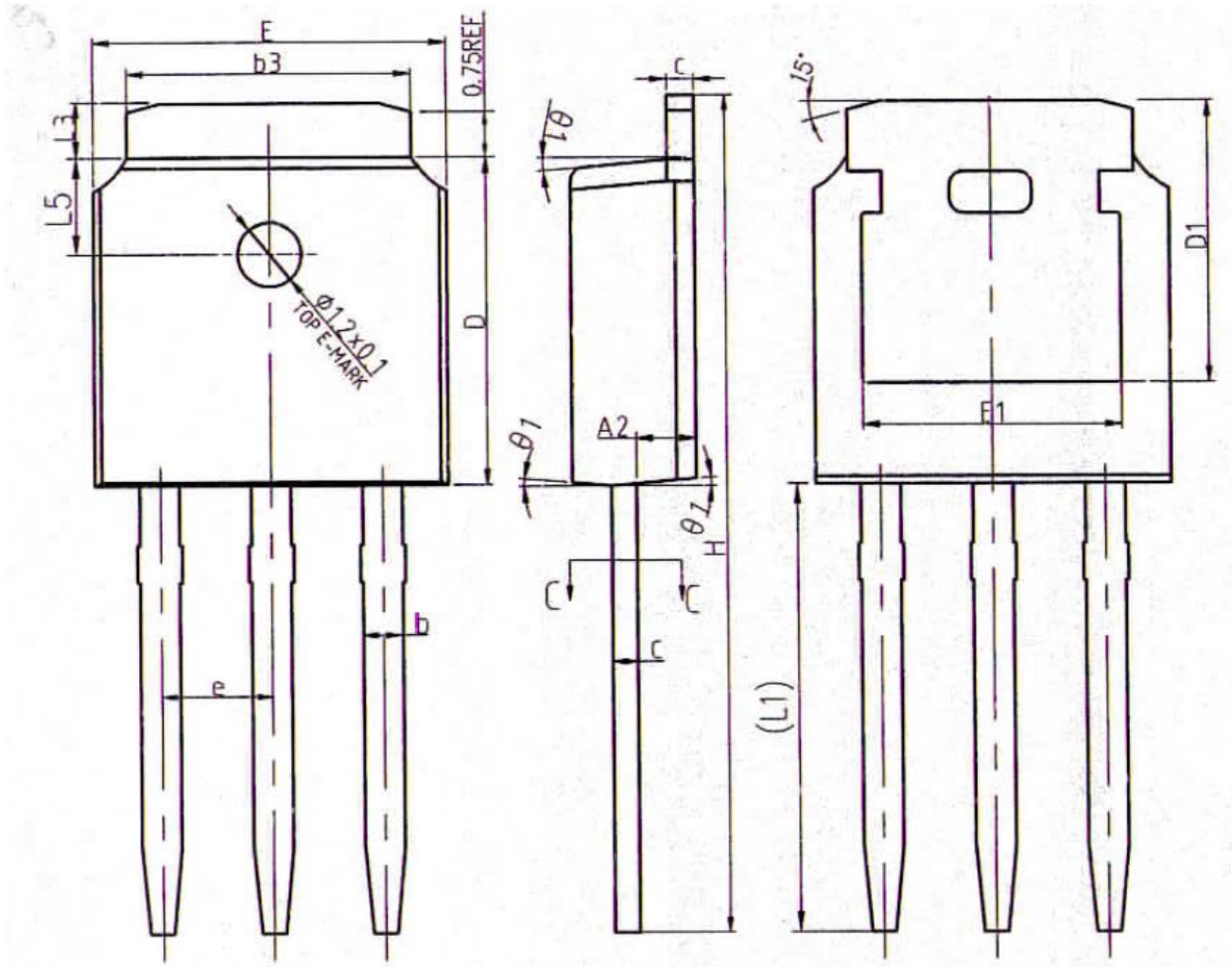
Figure 15 Gate charge Test circuit and waveforms



Package Information

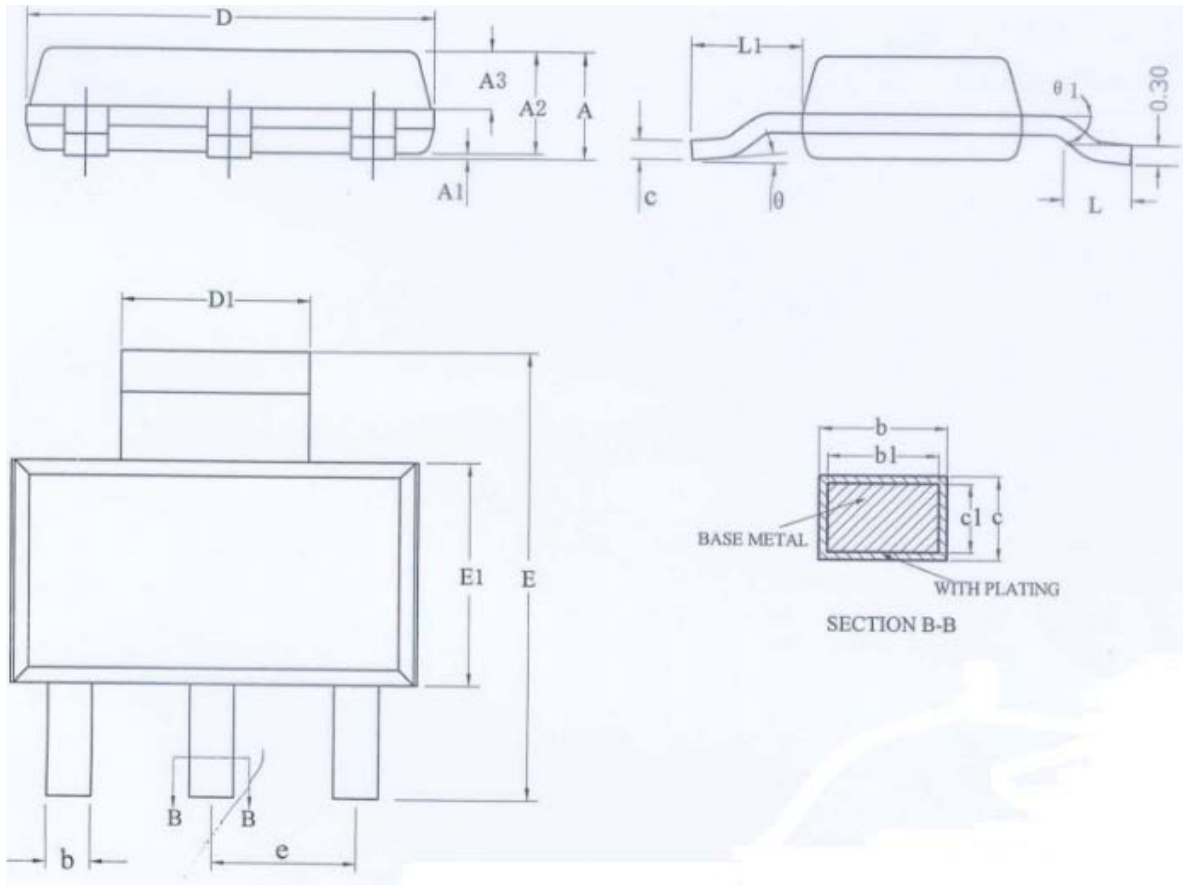


TO-252 Common dimensions							
SYMBOL	Unit: mm			SYMBOL	Unit: mm		
	MIN	NOM	MAX		MIN	NOM	MAX
A	2.20	2.30	2.38	e	2.286BSC		
A1	0.00	-	0.10	H	9.90	10.10	10.30
A2	0.97	1.07	1.17	L	1.40	1.50	1.70
b	0.72	0.78	0.85	L1	2.90REF		
b1	0.71	0.76	0.81	L2	0.51BSC		
b3	5.23	5.33	5.46	L3	0.90		1.25
c	0.47	0.53	0.58	L4	0.60	0.80	1.00
c1	0.46	0.51	0.56	L5	1.70	1.80	1.90
D	6.00	6.10	6.20	theta	0°		8°
D1	5.30REF			theta1	5°	7°	9°
E	6.50	6.60	6.70	theta2	5°	7°	9°
E1	4.70	4.83	4.92	K	0.40REF		



TO-251 Common dimensions

SYMBOL	Unit: mm			SYMBOL	Unit: mm		
	MIN	NOM	MAX		MIN	NOM	MAX
A	2.20	2.30	2.38	e	2.286BSC		
A2	0.97	1.07	1.17	H	16.10	16.40	16.60
b	0.72	0.78	0.85	L1	9.20	9.40	9.60
b1	0.71	0.76	0.81	L3	0.90	1.02	1.25
b3	5.23	5.33	5.46	L5	1.70	1.80	1.90
c	0.47	0.53	0.58	θ1	5°	7°	9°
c1	0.46	0.51	0.56	θ2	5°	7°	9°
D	6.00	6.10	6.20	K	0.40REF		
D1	5.30REF						
E	6.50	6.60	6.70				
E1	4.70	4.83	4.92				



SOT223 Common dimensions			
SYMBOL	Unit: mm		
	MIN	NOM	MAX
A	1.50	1.65	1.80
A1	0.03	0.06	0.09
A2	1.45	1.60	1.75
A3	0.80	0.90	1.00
b	0.69		0.78
b1	0.68	0.71	0.74
c	0.30		0.35
c1	0.29	0.30	0.31
D	6.30	6.50	6.70
D1	3.00REF		
E	6.80	7.00	7.20
E1	3.40	3.50	3.60

SYMBOL	Unit: mm		
	MIN	NOM	MAX
e	2.30BSC		
L1	1.75BSC		
theta	0		7°
theta1	37.5 REF		

单击下面可查看定价，库存，交付和生命周期等信息

[>>Chiplead\(奇力科技\)](#)