



SMD Type Phototransistor with Daylight Filter

Features

- Small double-end package
- High photo sensitivity
- High reliability
- Spectral range of sensitivity: 760-1100nm
- Fast Response time
- RoHS compliance

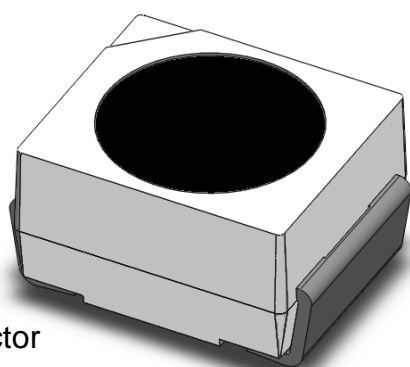
Applications

- Infrared sensor

Description

The PTC83528BT19 is silicon NPN Phototransistor is housed in a miniature SMD package. The device comes with a superior filtering for visible light by utilizing special black epoxy.

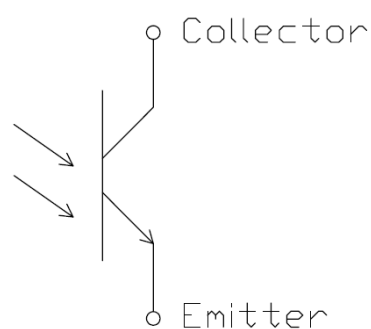
Package Outline



Collector

Emitter

Schematic





SMD Type Phototransistor with Daylight Filter

Absolute Maximum Rating at 25°C

Symbol	Parameters	Ratings	Units	Notes
I _C	Collector Current	20	mA	
B _V CE0	Collector-Emitter Voltage	35	V	1
B _V ECO	Emitter-Collector Voltage	5	V	2
T _{opr}	Operating Temperature	-40 ~ +100	°C	
T _{stg}	Storage Temperature	-40 ~ +100	°C	
T _{sol}	Soldering Temperature	260	°C	3
P _{to}	Total Power Dissipation	150	mW	

Optical Characteristics

Symbol	Parameters	Test Conditions	Min	Typ	Max	Units	Notes
λ	Spectral Bandwidth	-	760	-	1100	nm	
λ _P	Peak Sensitivity	-	-	880	-	nm	
θ _{1/2}	View Angle	V _{CE} =5V	-	±50	-	deg	

Electrical Characteristics

Symbol	Parameters	Test Conditions	Min	Typ	Max	Units	Notes
I _{CEO}	Dark Current	E _e =0mW /cm ² V _{CE} =20V	-	-	100	nA	
V _{CE(sat)}	Collector-Emitter Saturation Voltage	E _e =1mW /cm ² I _C =0.5mA	-	-	0.4	V	
I _C	Collector Light Current	E _e =1mW /cm ² λ _P =940nm, V _{CE} =5V	0.50	1.00	-	mA	
C _T	Terminal Capacitance	E _e =0mW /cm ² f=1MHz, V _{CE} =5V	-	3.80	-	pF	



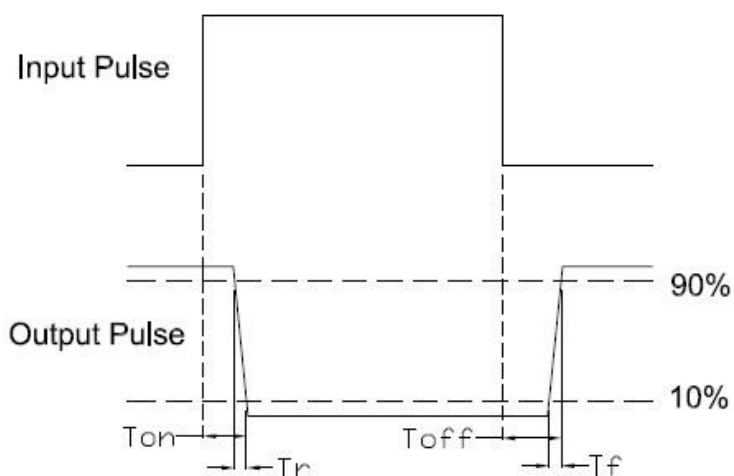
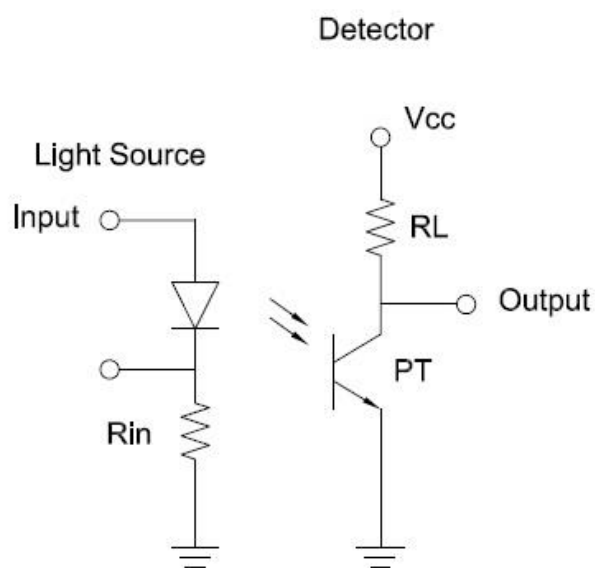
SMD Type Phototransistor with Daylight Filter

Switching Characteristics

Symbol	Parameters	Test Conditions	Min	Typ	Max	Units	Notes
t_r	Rise Time	$V_{ce} = 5V, R_L = 100\Omega$ $I_C = 1.0mA$	-	6	-	μs	4
t_f	Fall Time		-	7	-		
t_{on}	Turn on Delay Time		-	11	-		
t_{off}	Turn off Delay Time		-	7.9	-		

Notes:

- 1 : Test conditions : $I_C = 100\mu A, E_e = 0mW/cm^2$.
- 2 : Test conditions : $I_E = 100\mu A, E_e = 0mW/cm^2$.
- 3 : Soldering time ≤ 5 seconds.
- 4 : Test circuit :



Switching Time



Typical Characteristic Curves

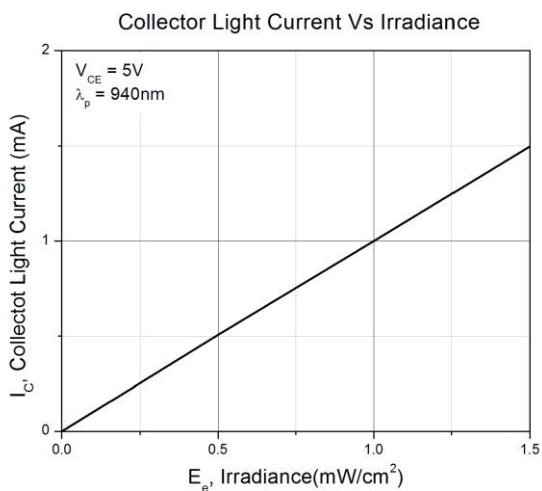


Figure 1

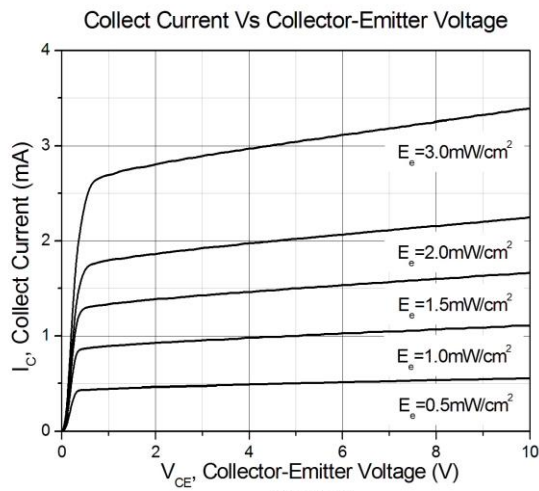


Figure 2

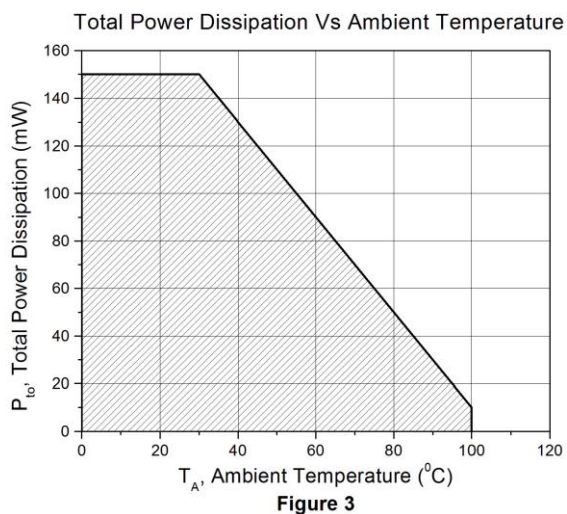


Figure 3

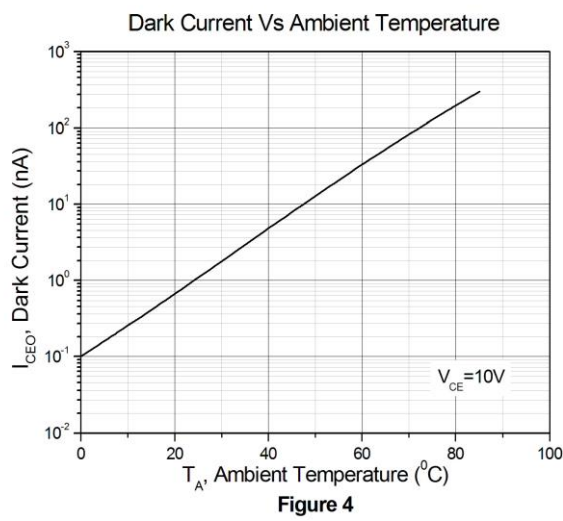


Figure 4

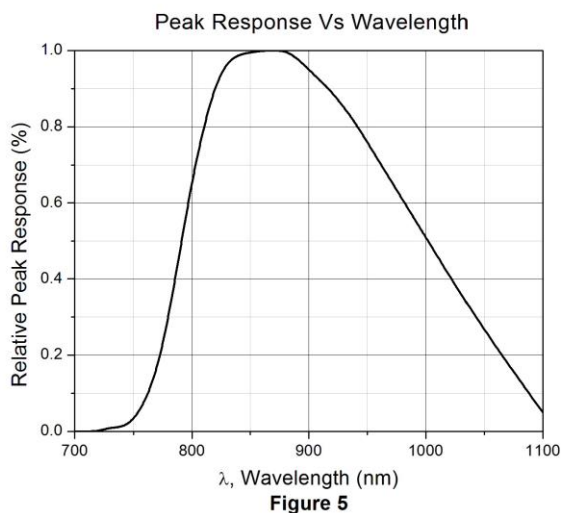


Figure 5

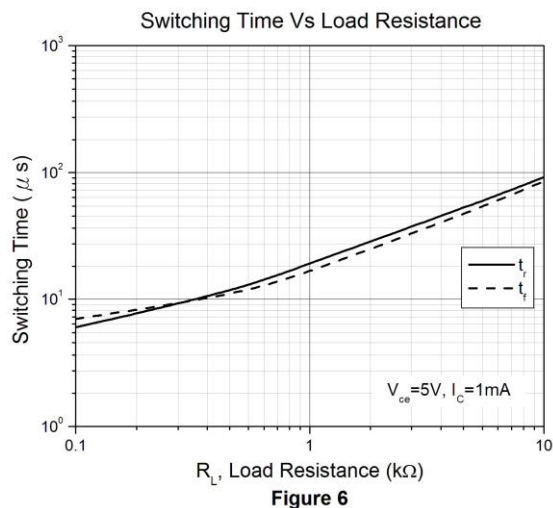
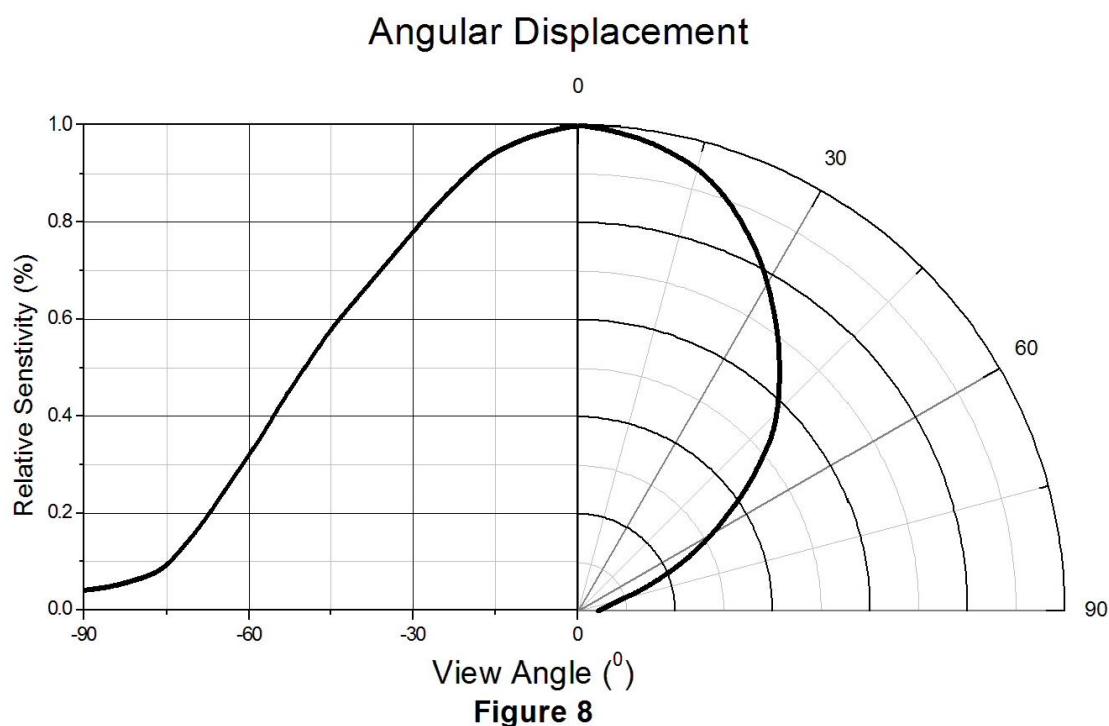
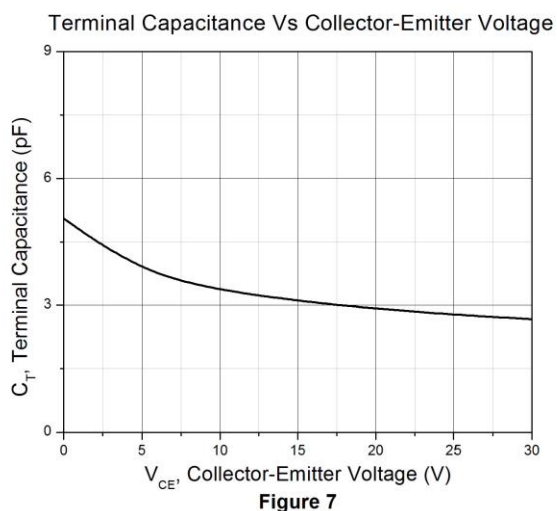


Figure 6



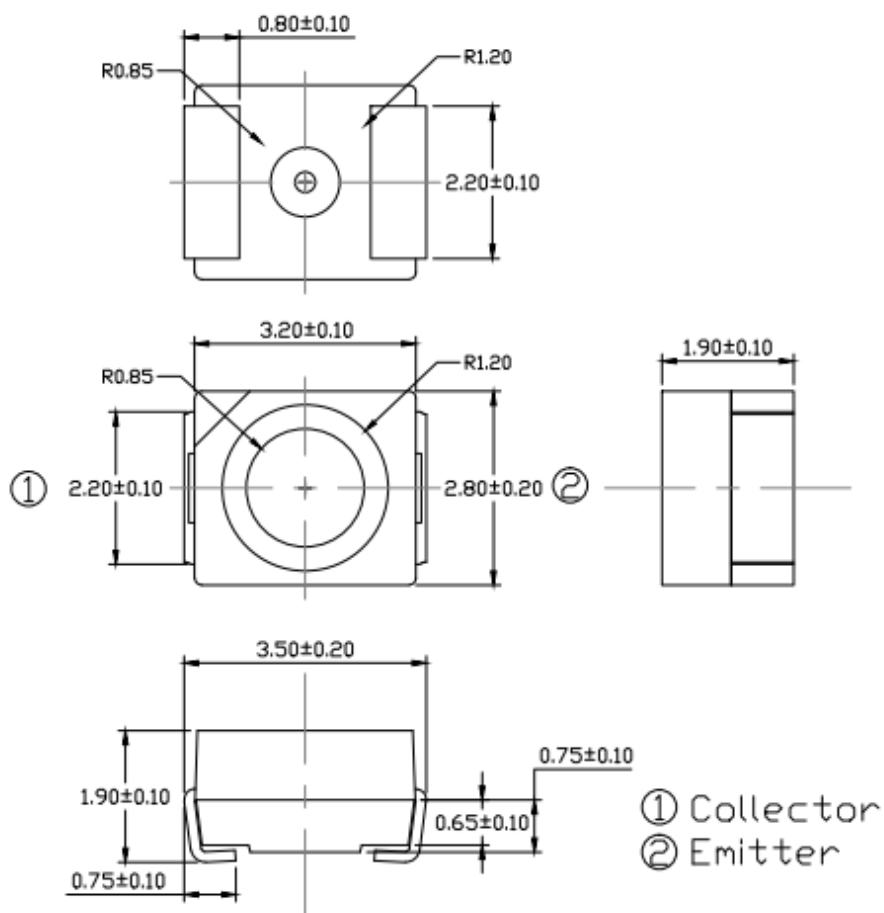
Typical Characteristic Curves



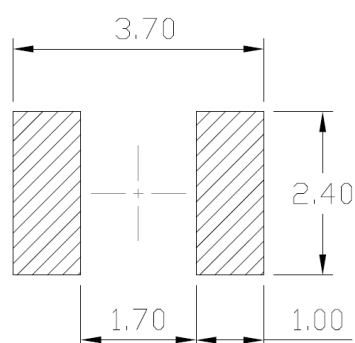


SMD Type Phototransistor with Daylight Filter

Package Dimension *All dimensions are in mm, unless otherwise stated*



Recommended Soldering Mask *All dimensions are in mm, unless otherwise stated*



Ordering Information

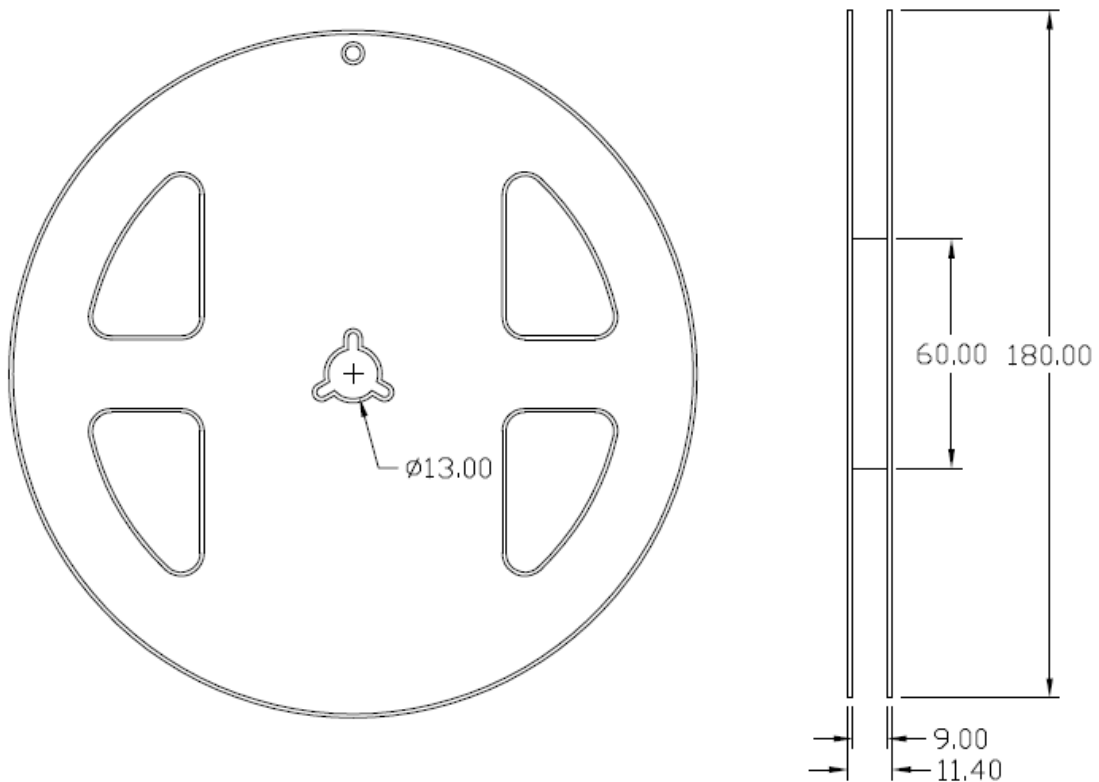
Part Number	Description	Quantity
PTC83528BT19	Tape & Reel	2000 pcs



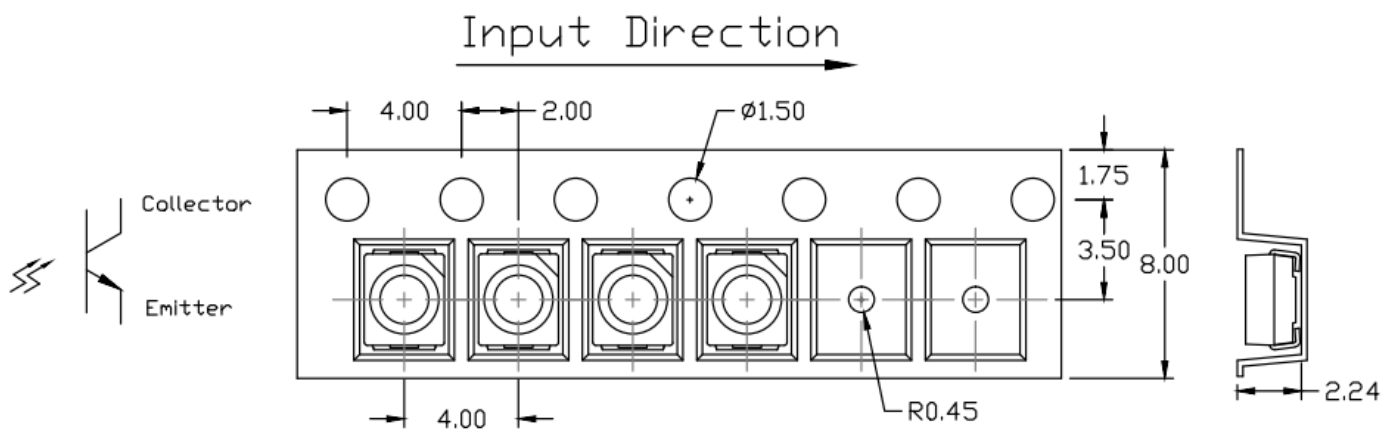
PTC83528BT19

SMD Type Phototransistor with Daylight Filter

Reel Dimension *All dimensions are in mm, unless otherwise stated*



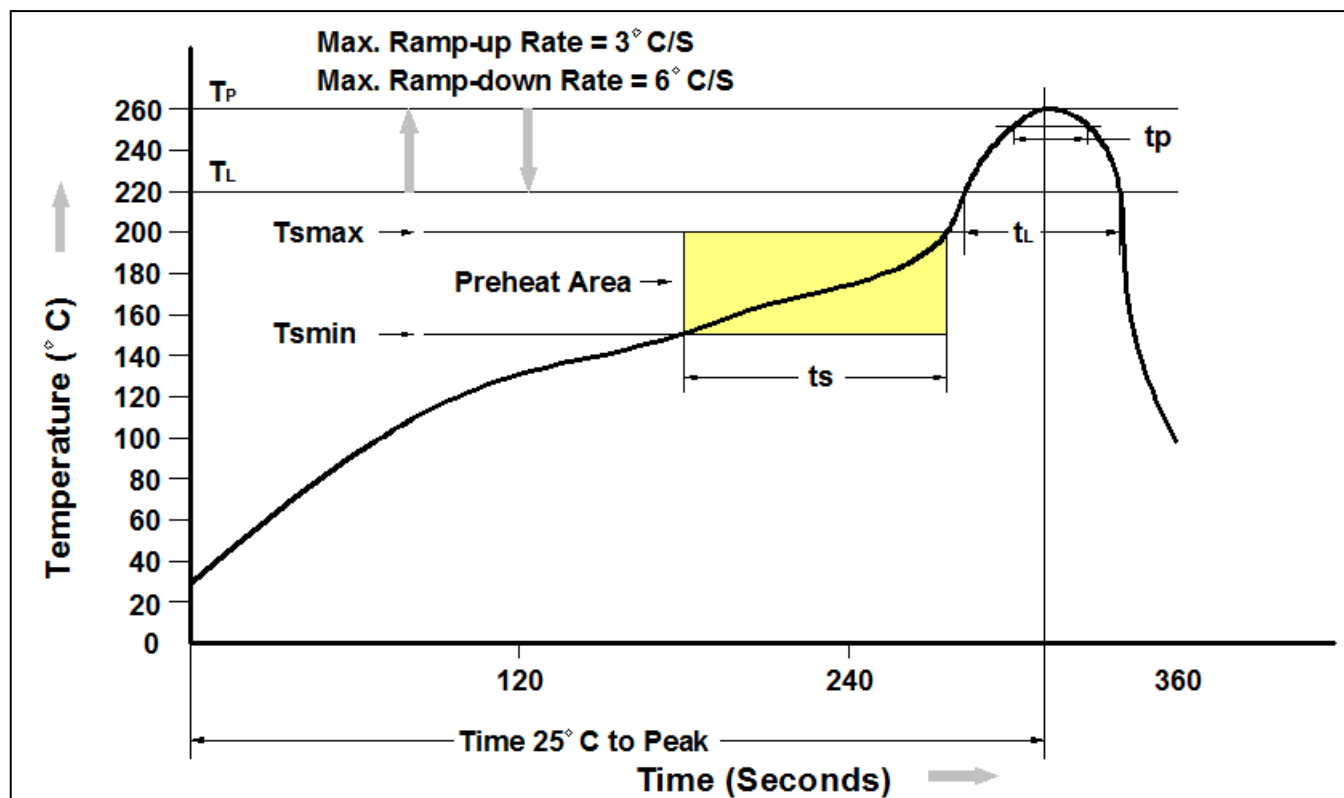
Tape Dimension *All dimensions are in mm, unless otherwise stated*





SMD Type Phototransistor with Daylight Filter

Reflow Profile



Profile Feature	Pb-Free Assembly Profile
Temperature Min. (T_{smin})	150°C
Temperature Max. (T_{smax})	200°C
Time (t_s) from (T_{smin} to T_{smax})	60-120 seconds
Ramp-up Rate (t_L to t_P)	3°C/second max.
Liquidous Temperature (T_L)	217°C
Time (t_L) Maintained Above (T_L)	60 – 150 seconds
Peak Body Package Temperature	260°C +0°C / -5°C
Time (t_P) within 5°C of 260°C	30 seconds
Ramp-down Rate (T_P to T_L)	6°C/second max
Time 25°C to Peak Temperature	8 minutes max.



SMD Type Phototransistor with Daylight Filter

DISCLAIMER

CT MICRO RESERVES THE RIGHT TO MAKE CHANGES WITHOUT FURTHER NOTICE TO ANY PRODUCTS HEREIN TO IMPROVE RELIABILITY, FUNCTION OR DESIGN. CT MICRO DOES NOT ASSUME ANY LIABILITY ARISING OUT OF THE APPLICATION OR USE OF ANY PRODUCT OR CIRCUIT DESCRIBED HEREIN; NEITHER DOES IT CONVEY ANY LICENSE UNDER ITS PATENT RIGHTS, NOR THE RIGHTS OF OTHERS.

CT MICRO ARE NOT AUTHORIZED FOR USE AS CRITICAL COMPONENTS IN LIFE SUPPORT DEVICES OR SYSTEMS WITHOUT EXPRESS WRITTEN APPROVAL OF CT MICRO INTERNATIONAL CORPORATION.

- 1. Life support devices or systems are devices or systems which, (a) are intended for surgical implant into the body, or (b) support or sustain life, or (c) whose failure to perform when properly used in accordance with instruction for use provided in the labelling, can be reasonably expected to result in significant injury to the user.*
- 2. A critical component is any component of a life support device or system whose failure to perform can be reasonably expected to cause the failure of the life support device or system, or to affect its safety or effectiveness.*

单击下面可查看定价，库存，交付和生命周期等信息

[>>CT-MICRO\(兆龙科技\)](#)