

MPB22 Series

22mm Metal Pushbutton Switches



SPECIFICATIONS

- RATING** : 1th 5A/250VAC resistive load 3A/250VAC
- CONTACT RESISTANCE** : 50 mΩ max. @ 1A 12VDC (initial value)
- INSULATION RESISTANCE** : 1,000 MΩ min. at 500VDC
- DIELECTRIC STRENGTH** : 2,000V RMS @ sea level
- OPERATION TEMPERATURE** : -20°C to 55°C
- MECHANICAL LIFE** : Momentary 1,000,000 cycles
Self-lock 500,000 cycles
- ELECTRICAL LIFE** : 50,000 make-and-break cycles at full load
- TORQUE** : 5~14Nm
- PANEL THICKNESS** : 10mm (Ø22.20mm)
- OPERATION PRESSURE** : 1Pole 2.5±1N / 2Poles 3.5±1N
- TRAVEL** : About 3.2mm
- INGRESS PROTECTION** : IP67, IK10(Stainless)

MATERIALS

- BUSHING** : Stainless Steel / Aluminum alloy
- BASE** : PBT(UL 94-V0) , PC(UL 94-V2)
- ACTUATOR** : PC; Stainless Steel / Aluminum alloy
- INNER ASSEMBLY** : POM / PA66.
- SPRING** : Spring steel.
- SEALING** : Sillicone.
- O-Ring** : Sillicone.
- TERMINAL** : Brass,with silver or gold plated.
- CONTACT** :
Q=Copper ,Silver plated.
R=Brass,Coin silver,Gold plated
- HEX NUT** : Nickel plated brass

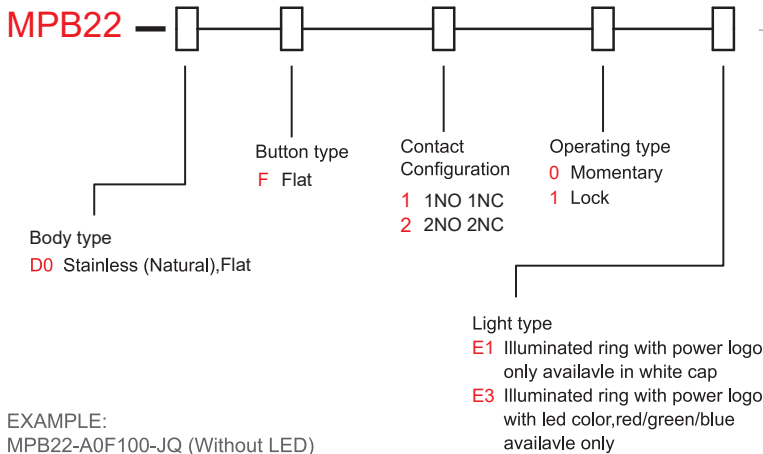
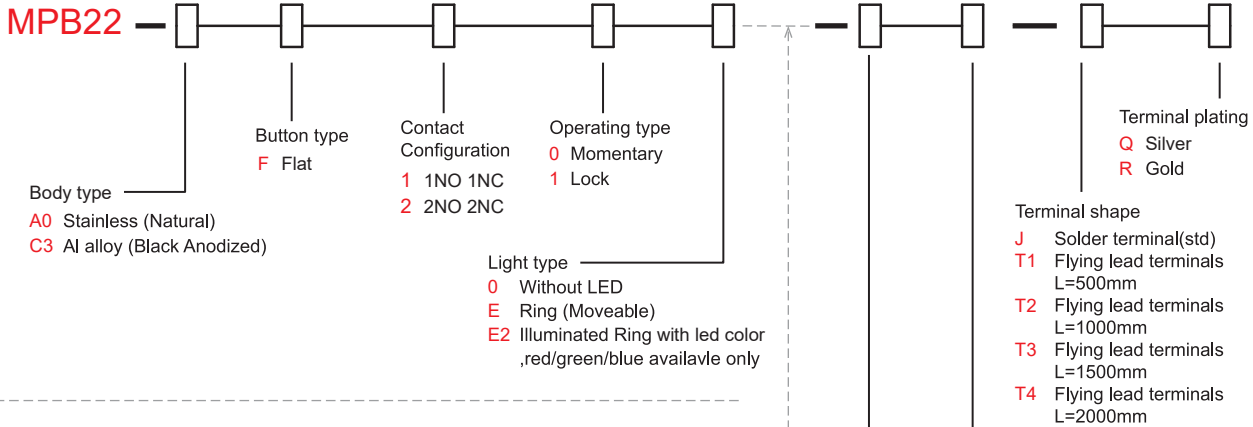


MPB22 Pushbutton Switches

HOW TO ORDER



MODEL NO. BODY TYPE BUTTON TYPE CONTACT CONFIGURATION OPERATING TYPE LIGHT TYPE LED COLOR LED VOLTAGE TERMINAL SHAPE TERMINAL PLATING



LED Color	
ITEM NO	COLOR
0	Without LED
1	White
3	Red
5	Yellow
6	Green
7	Blue
DUAL COLOR LED	
A	Red&Green
B	Red&Blue
D	Blue&Yellow
G	Red&Yellow
H	Green&Yellow
J	Orange&Green

LED Voltage (20mA)	
ITEM NO	VOLTAGE
0	Without Resistor
3	3V
6	6V
12	12V
24	24V
36	36V
110	110V
220	220V

EXAMPLE:
MPB22-A0F100-JQ (Without LED)
MPB22-A0F10E-[]-[]-JQ
LED color LED voltage

CIRCUIT

POSITION 1

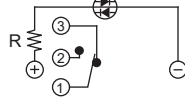


Without LED (1 Pole)

POSITION 2

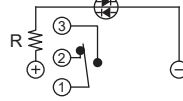


POSITION 1

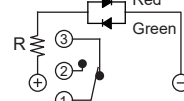


Single Color Led (1 Pole)

POSITION 2

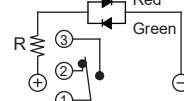


POSITION 1

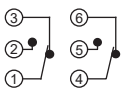


Dual Color Led (1 Pole)

POSITION 2

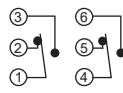


POSITION 1

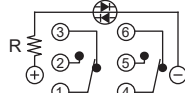


Without LED (2 Poles)

POSITION 2

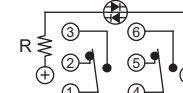


POSITION 1



Single Color Led (2 Poles)

POSITION 2



POSITION 1



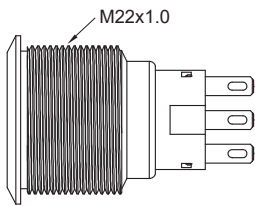
Dual Color Led (2 Poles)

POSITION 2

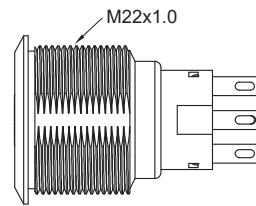


BODY TYPE

A0/C3 Body

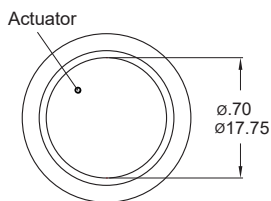


D0 Body (Flat)

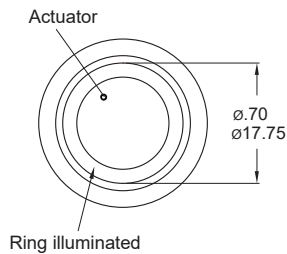


LIGHT TYPE

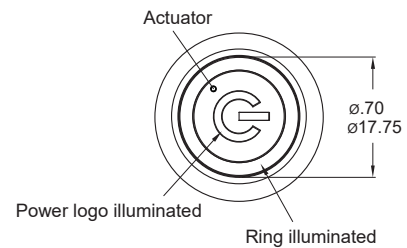
0 Without LED



E Ring (Moveable)



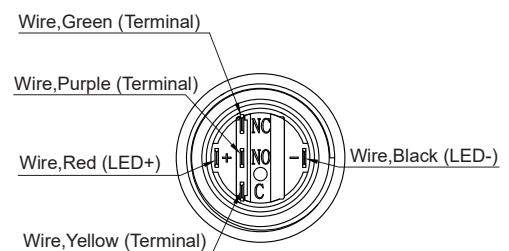
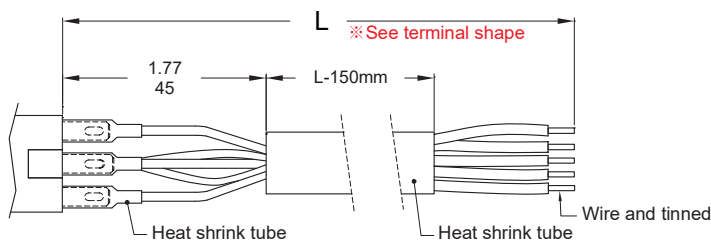
E3 Ring+Power logo



* Only for D0 body.

Wire (Flying lead Terminals)

※ Wire=UL 3385, 18AWG, 300V(Black/Yellow/Green/Red/Purple)



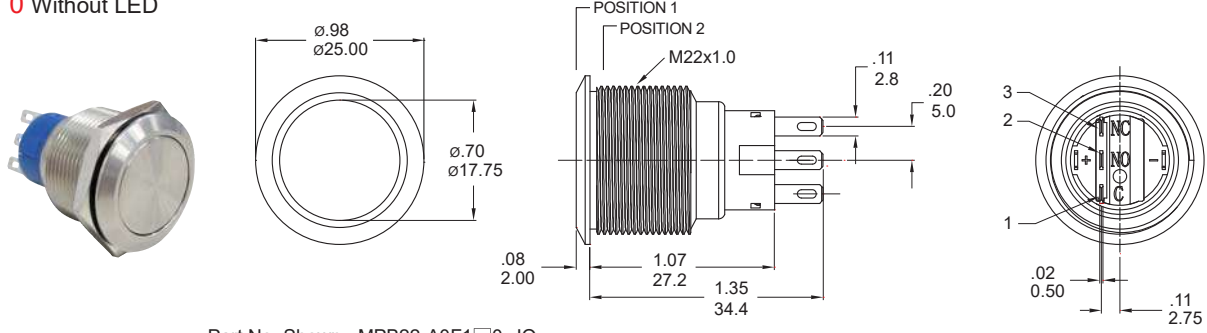
MPB22
Pushbutton Switches

MPB22 Series

22mm Metal Pushbutton Switches

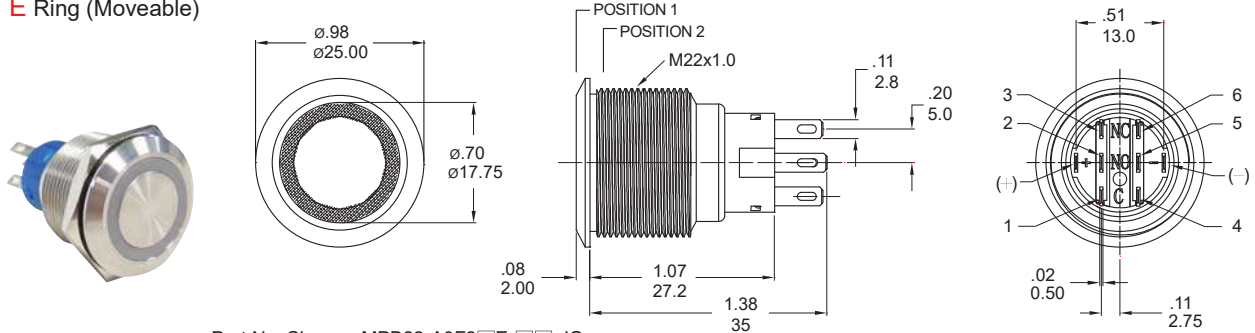
LIGHT TYPE

0 Without LED



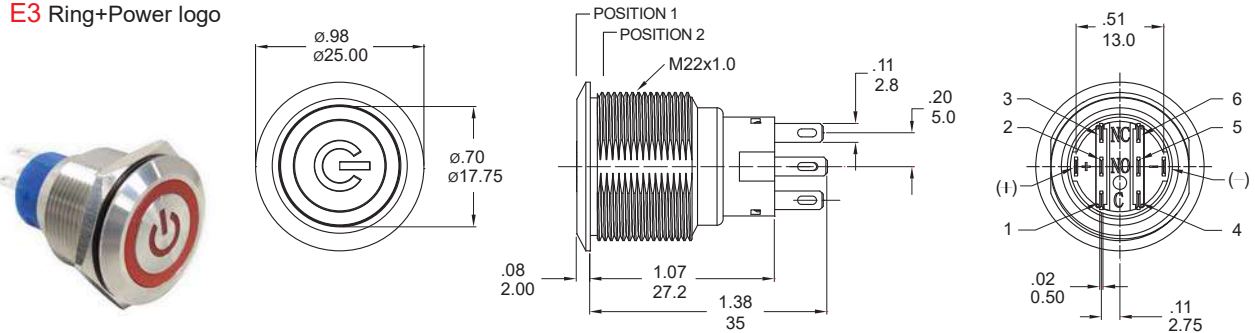
Part No. Shown : MPB22-A0F1□0-JQ

E Ring (Moveable)



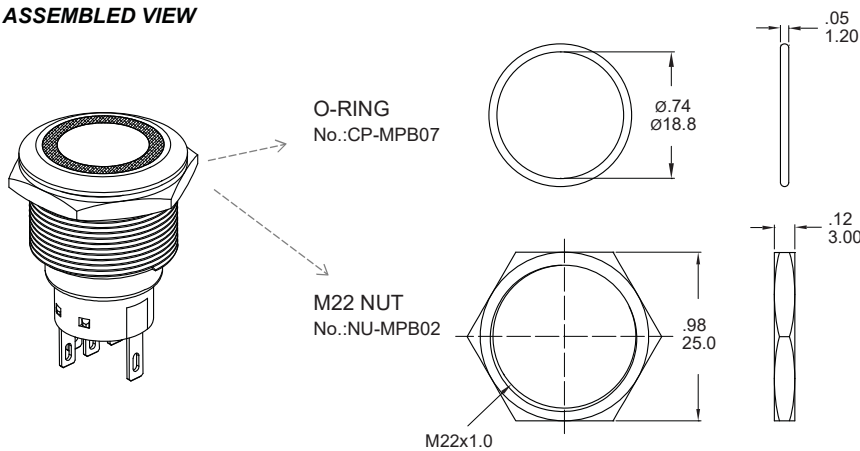
Part No. Shown : MPB22-A0F2□E-□□-JQ

E3 Ring+Power logo



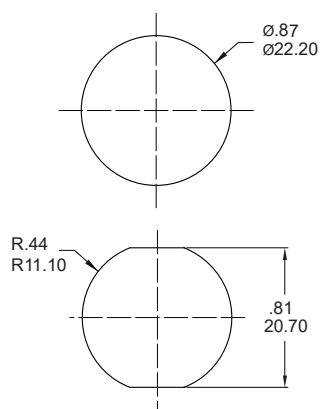
Part No. Shown : MPB22-D0F2□E3-□□-JQ

ASSEMBLED VIEW



PANEL MOUNTING

Max. Panel thickness: 10.0mm[.39]



O-RING INSTALLATION

Proposal	In front of the panel	Behind the panel
Installation Diagram		



MPB22
Pushbutton Switches

单击下面可查看定价，库存，交付和生命周期等信息

[>>Dailywell\(德利威\)](#)