

# MPB22 Series

22mm Metal Pushbutton Switches



## SPECIFICATIONS

- RATING** : 1th 5A/250VAC resistive load 3A/250VAC
- CONTACT RESISTANCE** : 50 mΩ max. @ 1A 12VDC (initial value)
- INSULATION RESISTANCE** : 1,000 MΩ min. at 500VDC
- DIELECTRIC STRENGTH** : 2,000V RMS @ sea level
- OPERATION TEMPERATURE** : -20°C to 55°C
- MECHANICAL LIFE** : Momentary 1,000,000 cycles  
Self-lock 500,000 cycles
- ELECTRICAL LIFE** : 50,000 make-and-break cycles at full load
- TORQUE** : 5~14Nm
- PANEL THICKNESS** : 10mm (Ø22.20mm)
- OPERATION PRESSURE** : 1Pole 2.5±1N / 2Poles 3.5±1N
- TRAVEL** : About 3.2mm
- INGRESS PROTECTION** : IP67, IK10(Stainless)

## MATERIALS

- BUSHING** : Stainless Steel / Aluminum alloy
- BASE** : PBT(UL 94-V0) , PC(UL 94-V2)
- ACTUATOR** : PC; Stainless Steel / Aluminum alloy
- INNER ASSEMBLY** : POM / PA66.
- SPRING** : Spring steel.
- SEALING** : Silicone.
- O-Ring** : Silicone.
- TERMINAL** : Brass,with silver or gold plated.
- CONTACT** :  
Q=Copper ,Silver plated.  
R=Brass,Coin silver,Gold plated
- HEX NUT** : Nickel plated brass

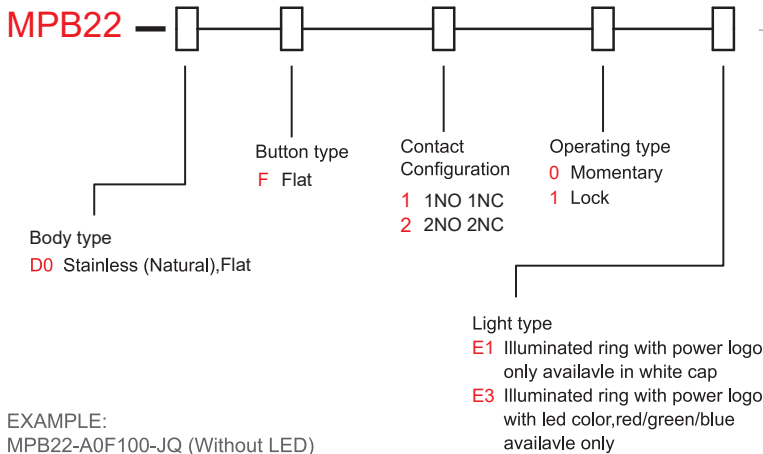
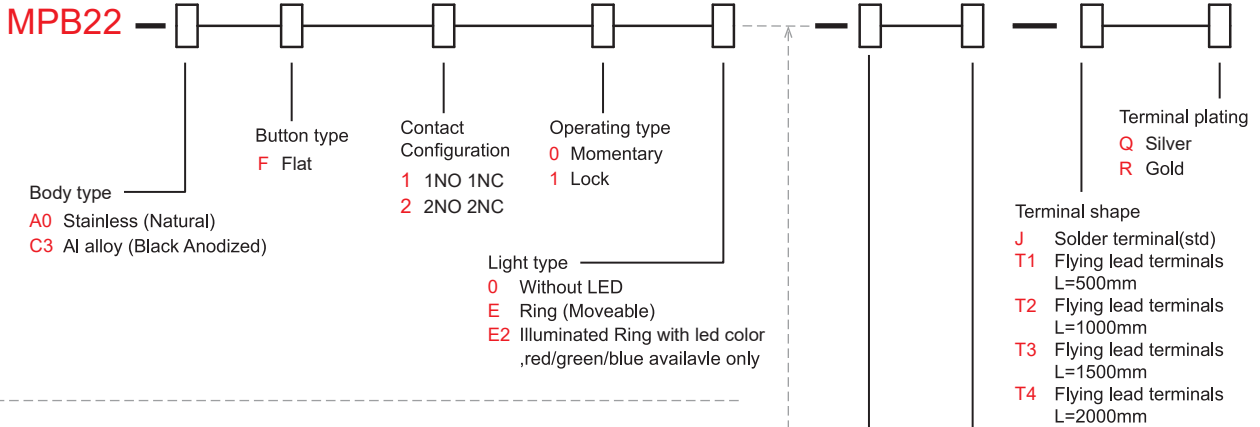


MPB22 Pushbutton Switches

## HOW TO ORDER



MODEL NO. BODY TYPE BUTTON TYPE CONTACT CONFIGURATION OPERATING TYPE LIGHT TYPE LED COLOR LED VOLTAGE TERMINAL SHAPE TERMINAL PLATING



LED Color	
ITEM NO	COLOR
0	Without LED
1	White
3	Red
5	Yellow
6	Green
7	Blue
DUAL COLOR LED	
A	Red&Green
B	Red&Blue
D	Blue&Yellow
G	Red&Yellow
H	Green&Yellow
J	Orange&Green

LED Voltage (20mA)	
ITEM NO	VOLTAGE
0	Without Resistor
3	3V
6	6V
12	12V
24	24V
36	36V
110	110V
220	220V

EXAMPLE:  
MPB22-A0F100-JQ (Without LED)  
MPB22-A0F10E-[ ]-[ ]-JQ  
LED color      LED voltage

## CIRCUIT

POSITION 1

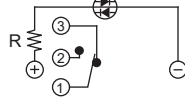


Without LED (1 Pole)

POSITION 2

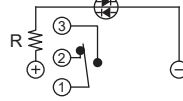


POSITION 1

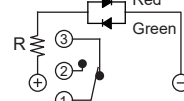


Single Color Led (1 Pole)

POSITION 2

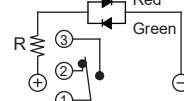


POSITION 1

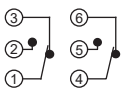


Dual Color Led (1 Pole)

POSITION 2

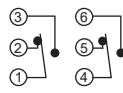


POSITION 1

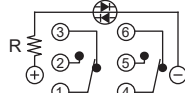


Without LED (2 Poles)

POSITION 2

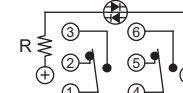


POSITION 1



Single Color Led (2 Poles)

POSITION 2



POSITION 1



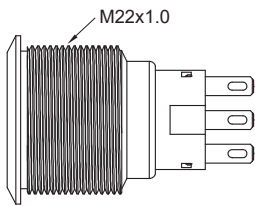
Dual Color Led (2 Poles)

POSITION 2

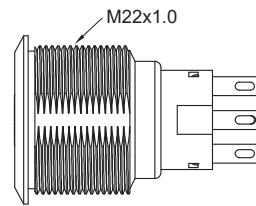


## BODY TYPE

A0/C3 Body

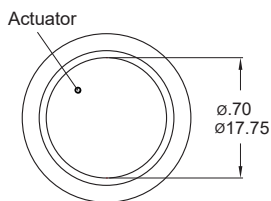


D0 Body (Flat)

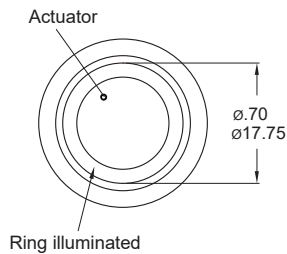


## LIGHT TYPE

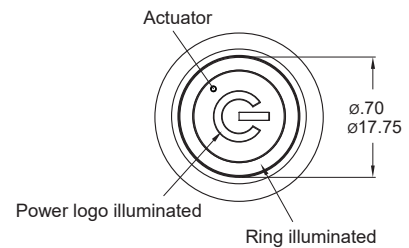
0 Without LED



E Ring (Moveable)



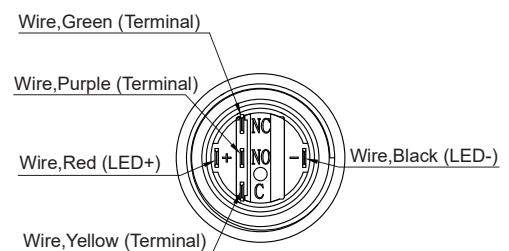
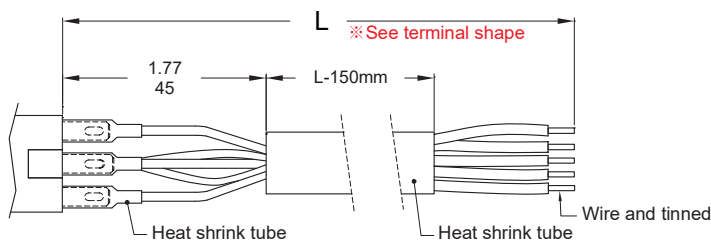
E3 Ring+Power logo



\* Only for D0 body.

## Wire (Flying lead Terminals)

※ Wire=UL 3385, 18AWG, 300V(Black/Yellow/Green/Red/Purple)



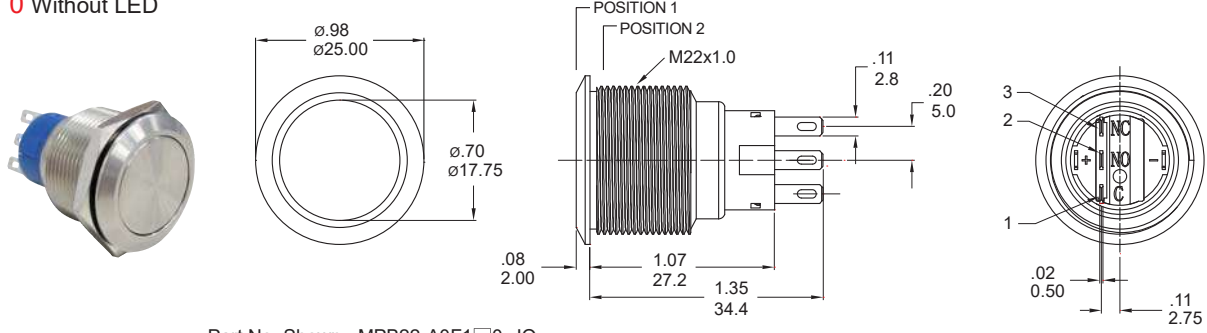
MPB22  
Pushbutton Switches

# MPB22 Series

22mm Metal Pushbutton Switches

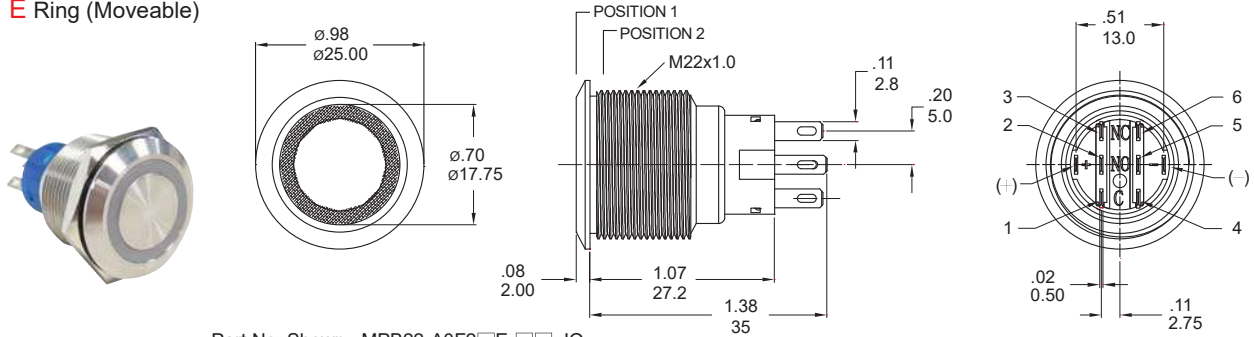
## LIGHT TYPE

0 Without LED



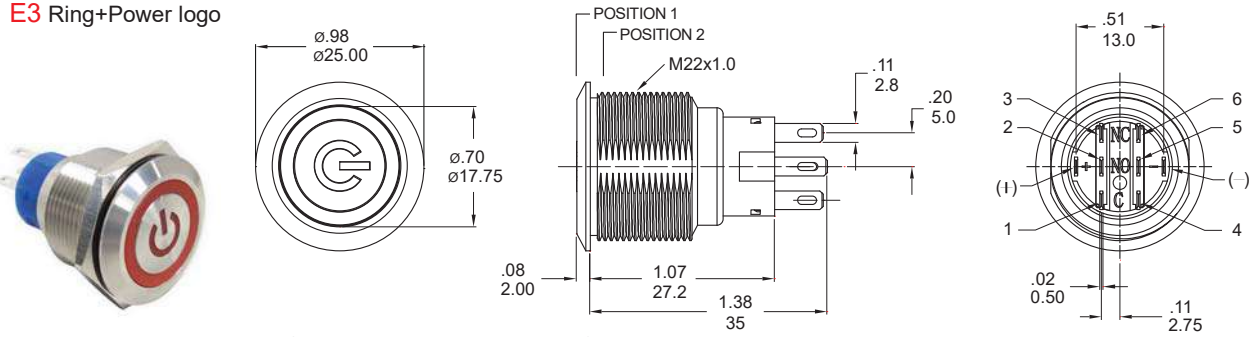
Part No. Shown : MPB22-A0F1□0-JQ

E Ring (Moveable)



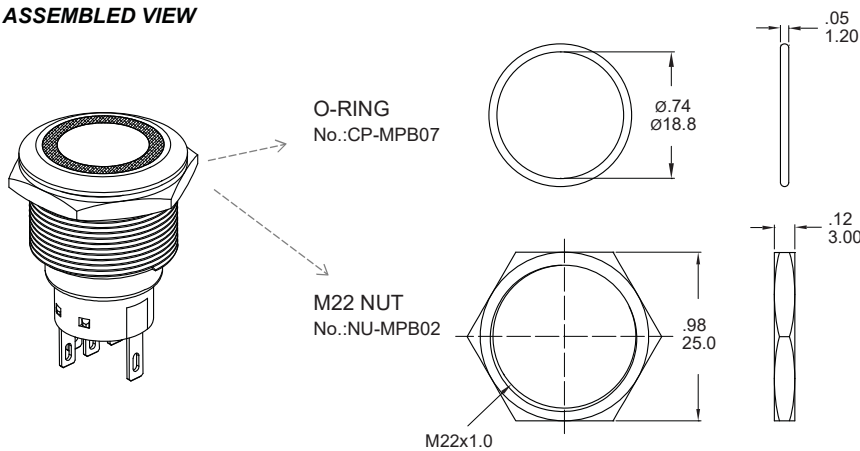
Part No. Shown : MPB22-A0F2□E-□□-JQ

E3 Ring+Power logo



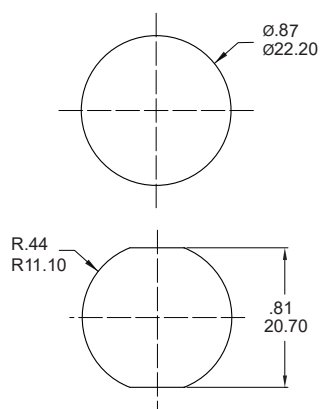
Part No. Shown : MPB22-D0F2□E3-□□-JQ

### ASSEMBLED VIEW



### PANEL MOUNTING

Max. Panel thickness: 10.0mm[.39]



### O-RING INSTALLATION

Proposal	In front of the panel	Behind the panel
Installation Diagram		



MPB22 Pushbutton Switches

单击下面可查看定价，库存，交付和生命周期等信息

[>>Dailywell\(德利威\)](#)